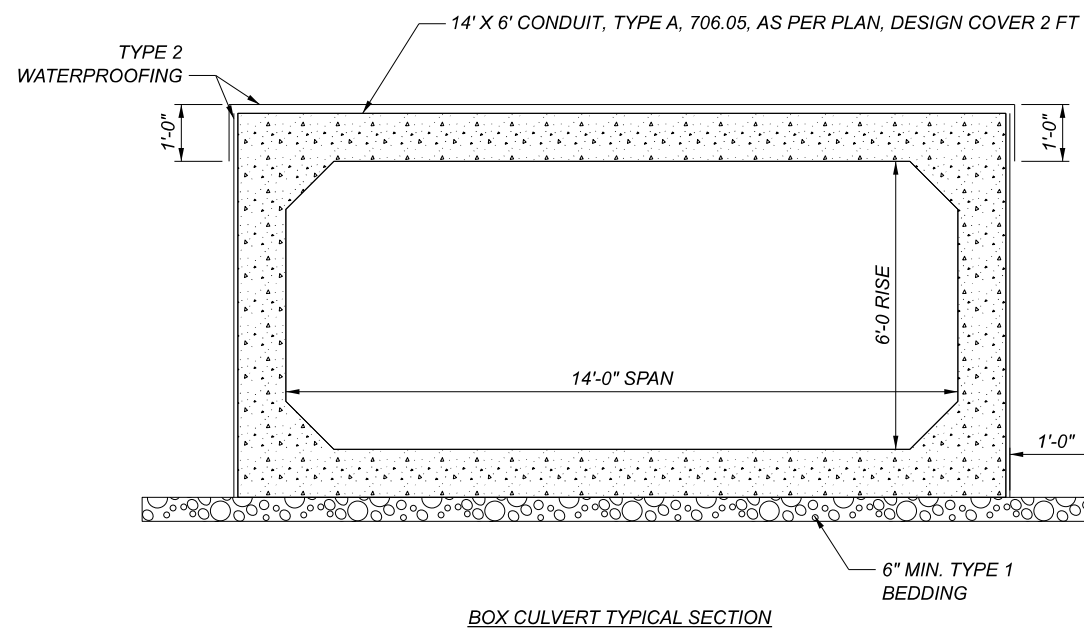


ESTIMATED QUANTITIES (01/NHS/BR)					
ITEM	EXTENSION	TOTAL	UNIT	DESCRIPTION	SEE SHEET NO.
202	11000	LS		STRUCTURE REMOVED	
503	11100	LS		COFFERDAMS AND EXCAVATION BRACING	
503	21300	LS		UNCLASSIFIED EXCAVATION	
509	10000	4094	LB	EPOXY COATED REINFORCING STEEL	
511	46010	15	CY	CLASS QC1 CONCRETE, RETAINING/WINGWALL NOT INCLUDING FOOTING	
511	46510	36	CY	CLASS QC1 CONCRETE, FOOTING	
512	10050	45	SY	SEALING OF CONCRETE SURFACES (NON-EPOXY)	
512	33000	417	SY	TYPE 2 WATERPROOFING	
516	13600	34	SF	1" PREFORMED EXPANSION JOINT FILLER	
518	21230	LS		POROUS BACKFILL WITH GEOTEXTILE FABRIC	
611	96315	112	FT	14' X 6' CONDUIT, TYPE A, 706.05, AS PER PLAN, DESIGN COVER 2.0 FT.	3



NOTES:

1. ALL REQUIREMENTS OF 706.05 SHALL BE MET EXCEPT AS DETAILED IN SUPPLEMENTAL SPECIFICATION 940.

