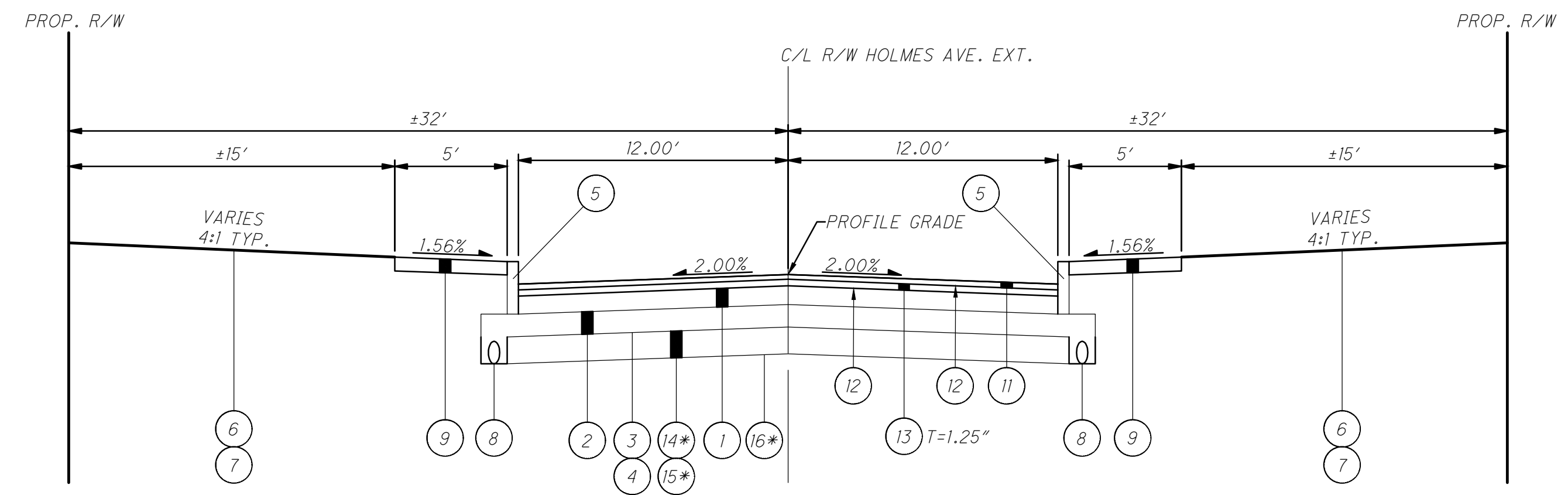


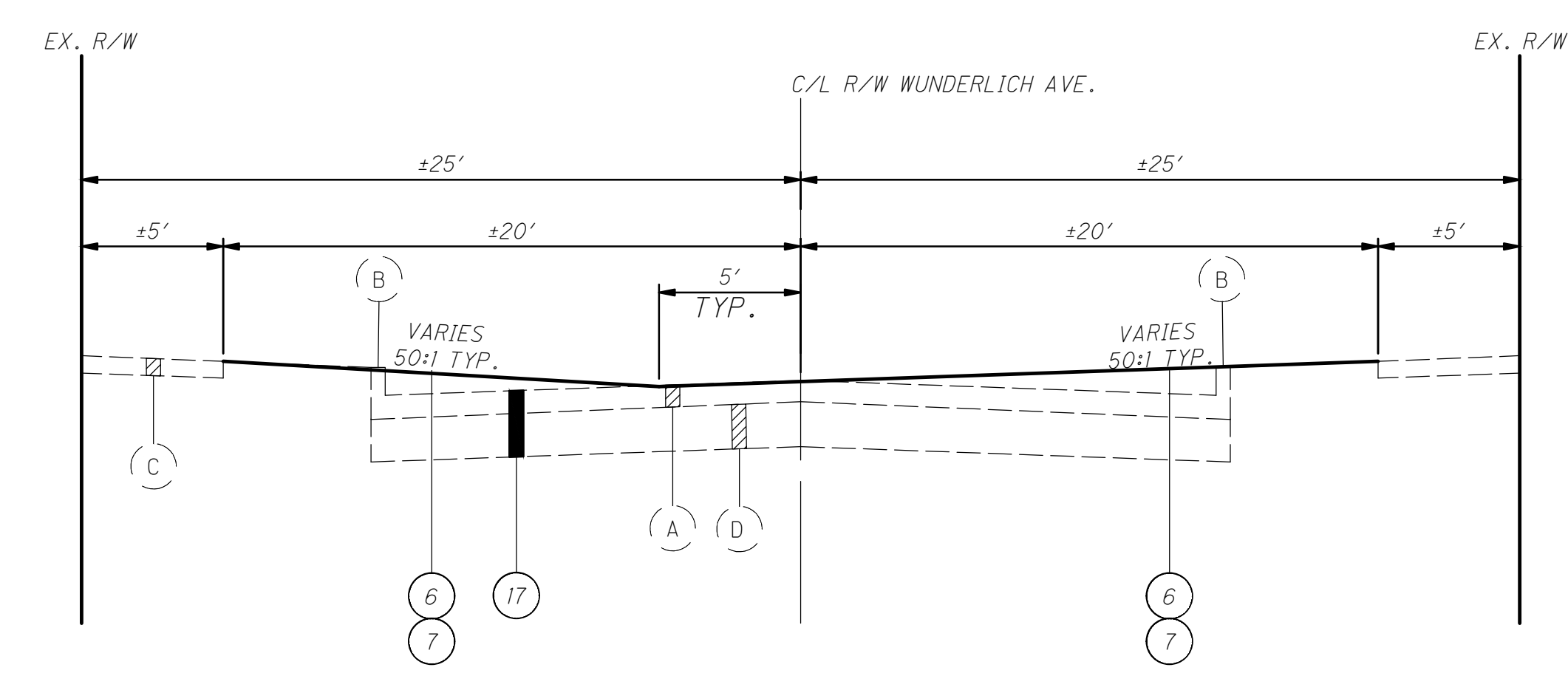
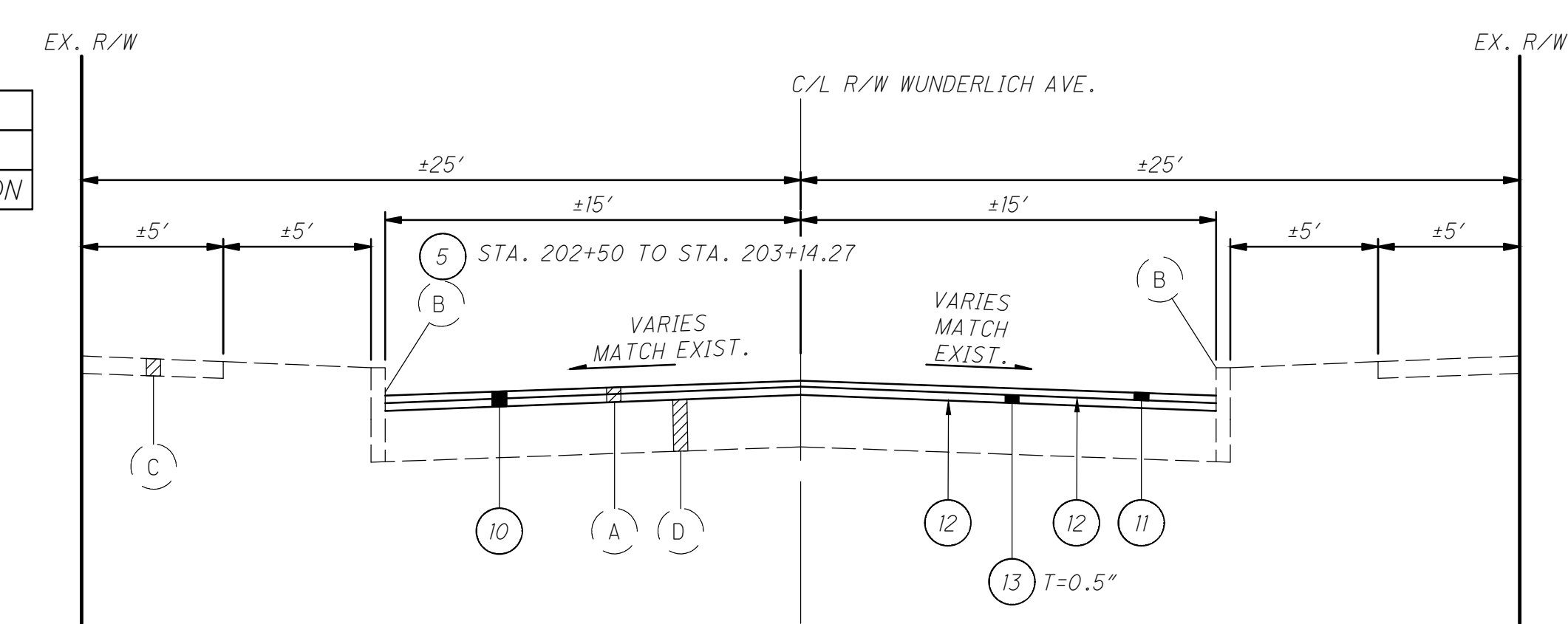
- PROPOSED LEGEND**
- ① ITEM 302 - 6" ASPHALT CONCRETE BASE
 - ② ITEM 304 - 6" AGGREGATE BASE
 - ③ ITEM 204 - SUBGRADE COMPACTION
 - ④ ITEM 204 - PROOF ROLLING
 - ⑤ ITEM 609 - CURB TYPE 6
 - ⑥ ITEM 659 - SEEDING AND MULCHING
 - ⑦ ITEM 659 - 6" TOPSOIL
 - ⑧ ITEM 605 - 6" BASE PIPE UNDERDRAINS
 - ⑨ ITEM 608 - 4" CONCRETE WALK
 - ⑩ ITEM 254 - PAVEMENT PLANING, ASPHALT CONCRETE (T=VARIES")
 - ⑪ ITEM 441 - 1-1/2" ASPHALT CONCRETE SURFACE COURSE, TYPE 1, (449), PG70-22M, AS PER PLAN
 - ⑫ ITEM 407 - NON-TRACKING TACK COAT (CMS TABLE 407.06-1 FOR APPLICATION RATES)
 - ⑬ ITEM 441 - ASPHALT CONCRETE INTERMEDIATE COURSE, TYPE 1, (449)
 - ⑭ ITEM 204 - 12" EXCAVATION OF SUBGRADE
 - ⑮ ITEM 204 - GRANULAR MATERIAL, TYPE B
 - ⑯ ITEM 204 - GEOTEXTILE FABRIC
 - ⑰ ITEM 202 - PAVEMENT REMOVED, AS PER PLAN

- EXISTING LEGEND**
- (A) EXISTING ASPHALT CONCRETE PAVEMENT (T=1.5"-2.5")
 - (B) EXISTING CURB
 - (C) EXISTING CONCRETE WALK
 - (D) EXISTING BRICK BASE

ADDENDUM		
NO.	DATE	DESCRIPTION
1	8/31/2022	INTERMEDIATE COURSE REVISION



* NOT INCLUDED FOR DRIVEWAYS



O:\2022\2022077\01\400-Engineering\Roadway\Sheets\202207701_GG001.dwg 31-Aug-22 2:46 PM

SHEET NUMBER												PARTICIPATION	ITEM	ITEM EXT.	GRAND TOTAL	UNIT	DESCRIPTION	SEE SHEET NO.
7	8	9	12	14	30	31	32					03/SAF/PV/BARB						
	100											100	251	01000	100	SY	PAVEMENT PARTIAL DEPTH PAVEMENT REPAIR	
	150											150	253	01000	150	SY	PAVEMENT REPAIR	
			676									676	254	01000	676	SY	PAVEMENT PLANING, ASPHALT CONCRETE	
8			106									114	301	56000	114	CY	ASPHALT CONCRETE BASE, PG64-22 (449)	
50			129									179	304	20000	179	CY	AGGREGATE BASE	
			18									18	407	20000	18	GAL	NON-TRACKING TACK COAT	
			46									46	441	70101	46	CY	ASPHALT CONCRETE SURFACE COURSE, TYPE 1, (449), PG70-22M, AS PER PLAN	
			42									42	441	10201	42	CY	ASPHALT CONCRETE INTERMEDIATE COURSE, TYPE 1, (449)	
			8									8	452	10050	8	SY	6" NON-REINFORCED CONCRETE PAVEMENT, CLASS QC MS	
				1								1	625	30500	1	EACH	TRAFFIC CONTROL PULL BOX, 725.06, SIZE 1.5, AS PER PLAN	6
							2					2	625	32000	2	EACH	GROUND ROD	
							45.4					45.4	630	02100	45.4	FT	GROUND MOUNTED SUPPORT, NO. 2 POST	
							70.7					70.7	630	03100	70.7	FT	GROUND MOUNTED SUPPORT, NO. 3 POST	
							15.2					15.2	630	08520	15.2	FT	STREET NAME SIGN SUPPORT, NO. 3 POST	
							3					3	630	08600	3	EACH	SIGN POST REFLECTOR	
							69.8					69.8	630	80100	69.8	SF	SIGN, FLAT SHEET	
							21.0					21.0	630	80101	21.0	SF	SIGN, FLAT SHEET, AS PER PLAN	30
							5					5	630	84900	5	EACH	REMOVAL OF GROUND MOUNTED SIGN AND DISPOSAL	
							4					4	630	86002	4	EACH	REMOVAL OF GROUND MOUNTED POST SUPPORT AND DISPOSAL	
							1					1	630	87500	1	EACH	REMOVAL OF POLE MOUNTED SIGN AND DISPOSAL	
							2					2	630	97700	2	EACH	SIGNING, MISC.: SOLAR-POWERED RECTANGULAR RAPID FLASHING BEACON (RRFB) SIGN ASSEMBLY	30
							2					2	630	97700	2	EACH	SIGNING, MISC.: REMOVAL OF FLASHER ASSEMBLY	30
							2					2	632	64020	2	EACH	PEDESTAL FOUNDATION	
							24					24	644	00500	24	FT	STOP LINE	
							95					95	644	00621	95	FT	CROSSWALK LINE, 12", AS PER PLAN	30
							64					64	644	00631	64	FT	CROSSWALK LINE, 24", AS PER PLAN	30
							58					58	644	01200	58	FT	PARKING LOT STALL MARKING	
							40					40	644	20800	40	FT	YIELD LINE	
					130							130	644	30000	130	FT	REMOVAL OF PAVEMENT MARKING	
																	MAINTENANCE OF TRAFFIC WATER	
		5										5	616	10000	5	MGAL		
												LS	614	11000	LS		INCIDENTALS MAINTAINING TRAFFIC	
												15	619	16010	15	MNTH	FIELD OFFICE, TYPE B	
												LS	623	10000	LS		CONSTRUCTION LAYOUT STAKES AND SURVEYING	
												LS	624	10000	LS		MOBILIZATION	

CALCULATED	JMB	CHECKED	DEN
GENERAL SUMMARY			
SUM-MR2039-0.25			
11			
33			

O:\2022\2022077\01\400-Engineering\Roadway\Sheets\202207701_GC001.dwg 31-Aug-22 2:46 PM

STATION TO STATION	SIDE	LENGTH L	AVERAGE WIDTH W	SURFACE AREA A A=LxW	PLANIMETERED AREAS	AREA FOR 4" EXTENSION	AREA FOR 6" EXTENSION	AREA FOR 18" EXTENSION	AREA FOR 24" EXTENSION	202	202	204	204	254	301	304	407		441	452	441	608	608	
										PAVEMENT REMOVED, AS PER PLAN SY	CURB REMOVED SY	SUBGRADE COMPACTION SY	PROOF ROLLING (1 HOUR/2000 SQ YD) HOUR	PAVEMENT PLANING, ASPHALT CONCRETE SY	6" ASPHALT CONCRETE BASE, P664-22 CY	6" AGGREGATE BASE CY	NON-TRACKING TACK COAT GAL		1 1/2" ASPHALT CONCRETE SURFACE COURSE, TYPE 1, (448), AS PER PLAN, PG70-22M CY	6" NON-REINFORCED CONCRETE PAVEMENT, CLASS OC MS SY	ASPHALT CONCRETE INTERMEDIATE COURSE, TYPE 1, (449) CY	4" CONCRETE WALK SF	CURB, TYPE 6 FT	
WUNDERLICH AVENUE GREEN AREA																								
200+17.00	200+29.90	RT			270.68					30	28													
200+29.90	201+78.98	RT	149.08	14.75	2198.93					244	149													
ADDENDUM																								
																						120	15	
200+17.00	200+29.90	LT			254.89					28	21													
200+29.90	201+78.98	LT	149.08	14.75	2198.93					244	149												120	15
RESURFACING																								
201+78.98	203+85.02	RT	206.04	14.75	3039.09						83			338			4		12		5		64	
201+78.98	203+85.02	LT	206.04	14.75	3039.09									338			4		12		5			
HOLMES AVENUE EXTENSION FULL DEPTH																								
800+13.00	800+29.67	RT			304.67			51		16	38	6	1		6	7	1		1		2		34	
800+29.67	801+60.11	RT	130.44	12.00	1565.28			195.66		17		196	1		29	33	2		6		8	653	130	
801+60.11	801+77.37	RT			303.31			51		8	37	6	1		6	7	1		1		2		34	
800+13.00	800+30.47	LT			118.01			51		15	38	6	1		2	3	1		0		1		34	
800+30.47	801+60.11	LT	129.64	12.00	1555.68			194.46		16		194	1		29	32	2		6		8	649	130	
801+60.11	801+77.37	LT			300.91			51		8	37	6	1		6	7	1		1		2		34	
DV-2 FULL DEPTH 202+27.66																								
		RT			494.00					46	12					9				55		146		
DV-3 FULL DEPTH 403+00.00																								
		LT			1433.33			176		15	110	179	1		27	30	2		6		8		117	
DRIVE APRON 202+59.00 202+87.00																								
		LT																		4				
		LT																		4				
PARKING LOT 200+74.71 200+81.62																								
		RT			50.27					6	28	6	1		1	1	1		1		1			
TOTALS CARRIED TO GENERAL SUMMARY										693	730	599	8.00	676	106	129	18		46	63	42	1688	607	

PAVEMENT CALCULATION

SUM-MR2039-0.25

CALCULATED
JMB
CHECKED
DEN