

FED. AID DIST. NO.	STATE	FED. AID PROJECT YEAR	FISCAL YEAR
10	OHIO	390-F	1930

1  
36

STATE OF OHIO  
DEPARTMENT OF HIGHWAYS  
**WOOSTER-LOUDONVILLE ROAD**

S.H. (I.C.H.) NO. 540 SEC. I-J<sub>2</sub> PET. NO.

**WAYNE COUNTY**

WOOSTER, PLAIN and CLINTON TWP'S DEC. 1928

S.H. (I.C.H.) 540 SEC. I-J<sub>2</sub>  
WAYNE COUNTY

The Standard Specification of the State of Ohio, Department of Highways, in force on date of contract will govern this improvement.

I hereby approve these plans and declare that the making of this improvement will require the closing of traffic of the highway and that detours will be provided as shown on the plan and estimates and right of way has been provided.

Approved: Chas. Seapley  
Date, 7-13-29 Resident District Deputy Director.

Approved: Ralph H. Strait  
Date, 9-24-29 Resident Division Deputy Director

Approved: Robt. S. Beighten  
Date, 10-4-29 Chief Engineer Bureau of Construction

Approved: \_\_\_\_\_  
Date, \_\_\_\_\_ Chief Engineer Bureau of Maintenance

Approved: J. Buckley  
Date, 9-26-29 Chief Engineer Bureau of Bridges

Approved: Frank D. Paschig  
Date, 10-11-29 First Asst. Director & Chief Engineer.

Approved: Robt. M. Ward  
Date, 10-4-29 Director of Highways

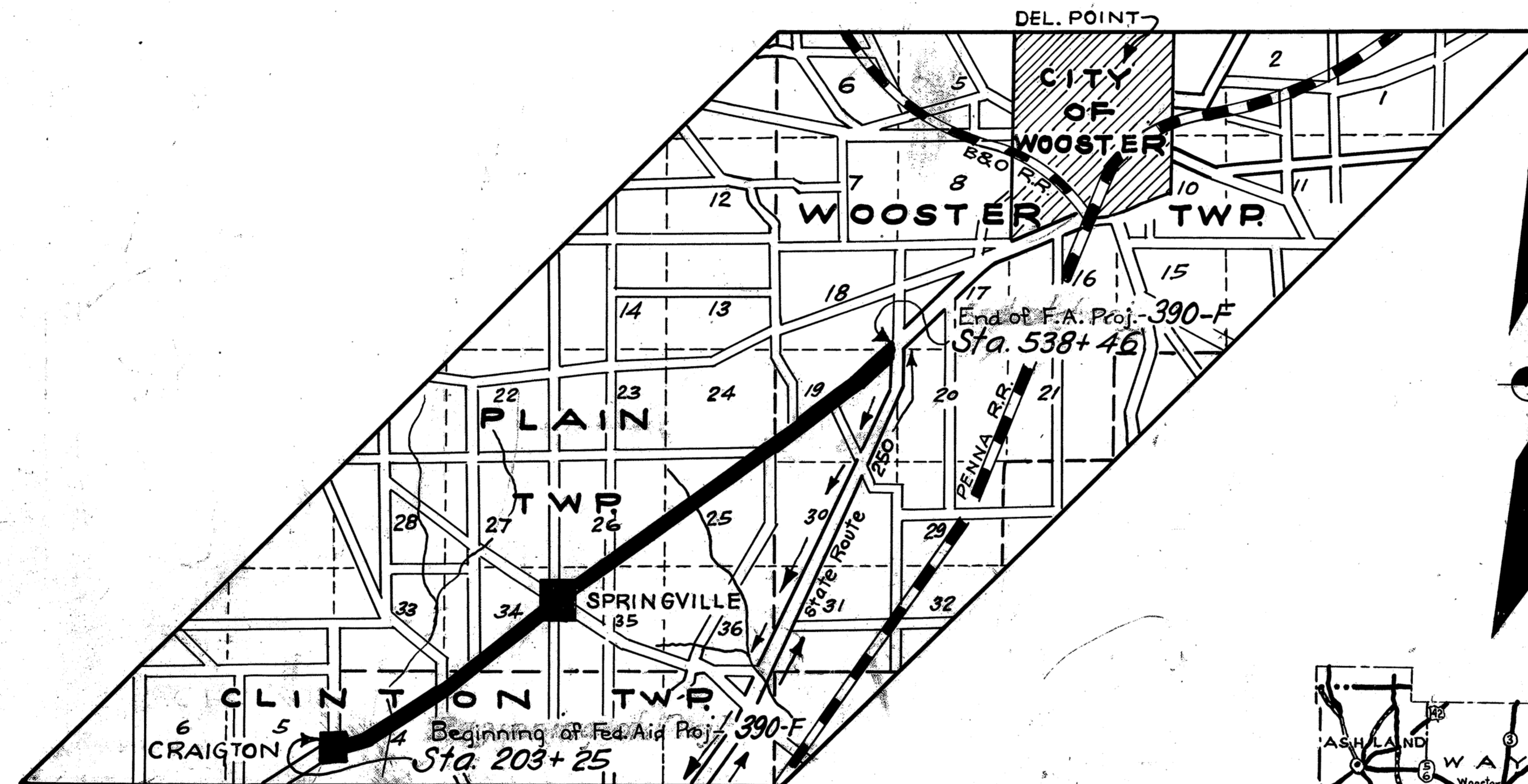
Recommended for Approval: \_\_\_\_\_  
Date, \_\_\_\_\_ District Engineer Bureau of Public Roads.

Recommended for Approval: \_\_\_\_\_  
Date, \_\_\_\_\_ Chief Engineer Bureau of Public Roads.

Approved: \_\_\_\_\_  
Date, \_\_\_\_\_ Chief of Bureau.

**CONVENTIONAL SIGNS**

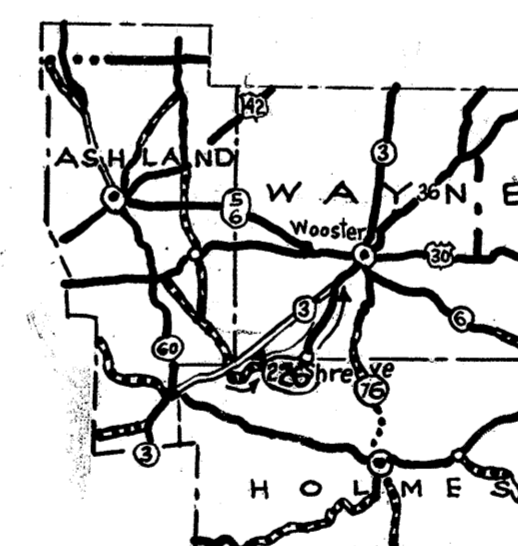
- State Line
- County Line
- Township Line
- Section Line
- Property Line not fenced
- Center Line
- City or Village Line
- Fence
- Telephone or Telegraph
- Steam Railroad
- Electric Line
- Guard Rail
- Drain Pipe - new
- Drain Pipe - old



**LOCATION PLAN**

SCALE OF MILES  
0 1 2 3 4

- PORTION TO BE IMPROVED
- DETOURS SHOWN THUS
- IMPROVED ROADS



**DETOUR MAP**

SCALE OF MILES  
0 5 10 15 20 25 30 35

We, the Commissioners of Wayne County, hereby approve these plans and certify that the right-of-way 60 feet wide is available for the construction, maintenance and repair of the above highway

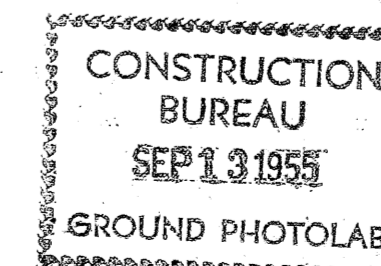
Date, \_\_\_\_\_ County Commissioners

**SCALES**

- PLAN 1" = 100'
- PROFILE (VERT.) 1" = 10'
- PROFILE (HORIZ.) 1" = 100'
- CROSS SECTIONS 1" = 5'

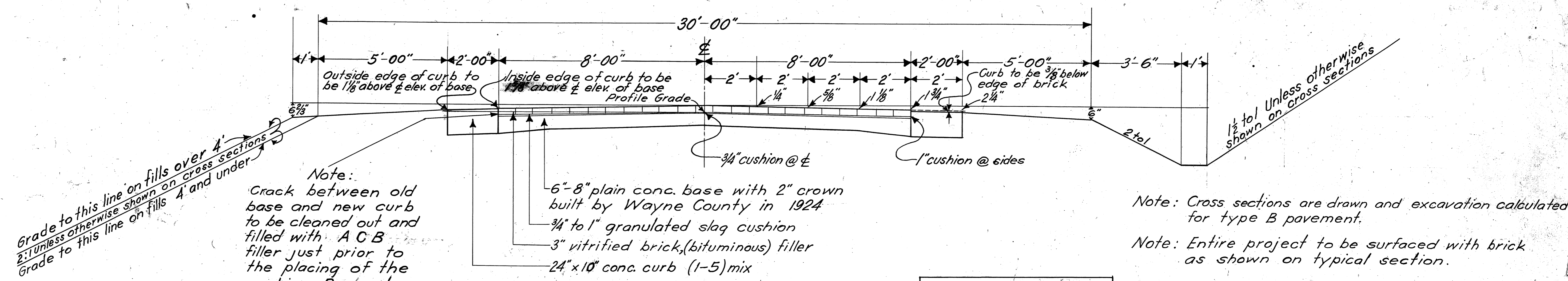
**INDEX**

- TITLE PAGE p.1
- TYPICAL CROSS SECTION p.2
- PLANS and PROFILE p.3 -p.13 incl.
- CROSS SECTIONS p.14 -p.32 incl.
- STRUCTURAL PLANS p.33 -p.35 incl.
- SUMMARY SHEET p.36



86-W  
84  
80-W  
WAYNE 540 I-J<sub>2</sub>  
1929

### TYPE B

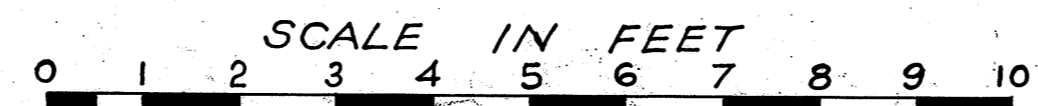


Note:  
Crack between old base and new curb to be cleaned out and filled with A C B filler just prior to the placing of the cushion. Payment included with curb.

- 6"-8" plain conc. base with 2" crown built by Wayne County in 1924
- 3/4" to 1" granulated slag cushion
- 3" vitrified brick, (bituminous) filler
- 24"x10" conc. curb (1-5) mix

Note: Cross sections are drawn and excavation calculated for type B pavement.  
Note: Entire project to be surfaced with brick as shown on typical section.

### TYPICAL SECTION



493.4 Lin. Ft.	From sta. 203+25 to sta. 208+18.4 as shown above
31.6 " "	From sta. 208+18.4 to sta. 208+50 see detail on sheet 3
63.1 " "	From sta. 208+50 to sta. 209+13.1 bridge, proposal No. 2
31.6 " "	From sta. 209+13.1 to sta. 209+44.7 see detail on sheet 3
155.3 " "	From sta. 209+44.7 to sta. 211+00 curb to be 24"x18" built to grades shown on sheet 1. Base to be built up an average of 6" with concrete 1-7 mix.
1,185.00 " "	From sta. 211+00 to sta. 329+50 as shown above.
300.0 " "	From sta. 329+50 to sta. 332+50 widen base 6' on right with 8" plain conc. add integral raised curb 12"x16".
200.0 " "	From sta. 332+50 to sta. 334+50 widen base 6' on right with 8" plain conc. add integral raised curb 12"x16". Widen brick on Left 1 1/2' to meet existing curb.
50.0 " "	From sta. 334+50 to sta. 335+00 widen base 6' on right with 8" plain conc. add integral raised curb 12"x16".
1,050.0 " "	From sta. 335+00 to sta. 345+50 as shown above.
75.0 " "	From sta. 345+50 to sta. 346+25 tear up old base, build new base 8" thick with 24"x3 3/4" concrete curbs.
12,537.3 " "	From sta. 346+25 to sta. 471+62.3 as shown above.
340.2 " "	From sta. 471+62.3 to sta. 475+02.5 superelevate curve by building 24"x24" conc. curb on right and building up base an average of 6" with granulated slag water concrete 1-7 mix. See table on sheet 11.
796.5 " "	From sta. 475+02.5 to sta. 482+99 as shown above.
40.5 " "	From sta. 482+99 to sta. 483+39.5 bridge, Brick wearing surface only, width 19'
5,516.5 " "	From sta. 483+39.5 to sta. 538+56 as shown above.
33,531.0 " "	

NOTE:  
The 3" Vitrified brick shall be of the wire cut 100 or repressed 100 type.

NOTE:  
All aggregates shall be Grade A

Note: - The aggregates for the concrete base specified for this project will be proportioned by the weight method as approved by the Director.

### NOTE for CULVERTS

Culverts are to be extended or Headwalls raised as directed by Engineer. Unit price bid for pipe under roadway items or under alternate bids to be used for payment.

S.H. (I.G.H.) 540 WAYNE COUNTY SEC. 1-J2

NE 1/4 SEC. 4

Sta. 208+81.6  
In place 3 panel Pratt pin conn. low truss cl. sp. 34.25', cl. rdwy 17.65' on conc. abuts. Remove old superstructure, widen present abuts. and build new superstre. (Concr. Beam Bridge, 34'-3" spg, 30 ft. Rdwy) as shown on sheets 33, 34 & 35.

Sta. 231+72  
In place 18"x34" V.S.P. (enc) culvert No work req'd.

Sta. 227+48  
In place 8"x22" V.S.P. Take up clean & relay

Sta. 229+52  
In place 6"x12" V.S.P. No work req'd.

Sta. 221+35  
In place 24"x30" std. V.S.P. (enc) culvert. No work req'd.

Sta. 231+51  
In place 12"x20" V.S.P. No work req'd.

Sta. 215+32  
In place 12"x20" Sec. C.I.P. Take up clean & relay

Sta. 209+44.7 to sta. 211+00  
Build 24"x18" conc. curb, raise base using concrete 1:1.75 mix placed in layers water bound and rolled. Std. brick top

Sta. 222+83  
Lay 10"x20" Corr. I.P.

Sta. 208+40  
Lay 10"x20" Corr. I.P.

Sta. 205+80  
In place 3"x36" drain tile Replace with 10"x20" Corr. I.P.

Sta. 205+70  
In place 4"x10" drain Replace with 10"x20" Corr. I.P.

Sta. 205+20  
Lay 10"x20" Corr. I.P.

Note: Grade line shown is crown of existing base. Finished grade will be 3/4 inches higher.

Beginning of Proj. 390 F Station 203+25

Sta. 203+81  
In place 5"x12" drain tile No. work Req'd.

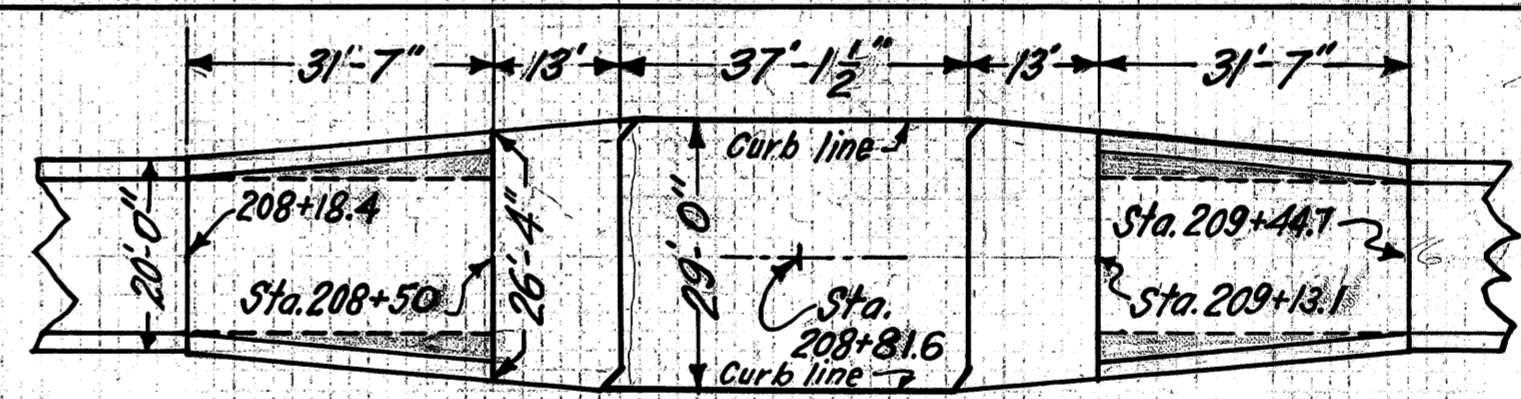
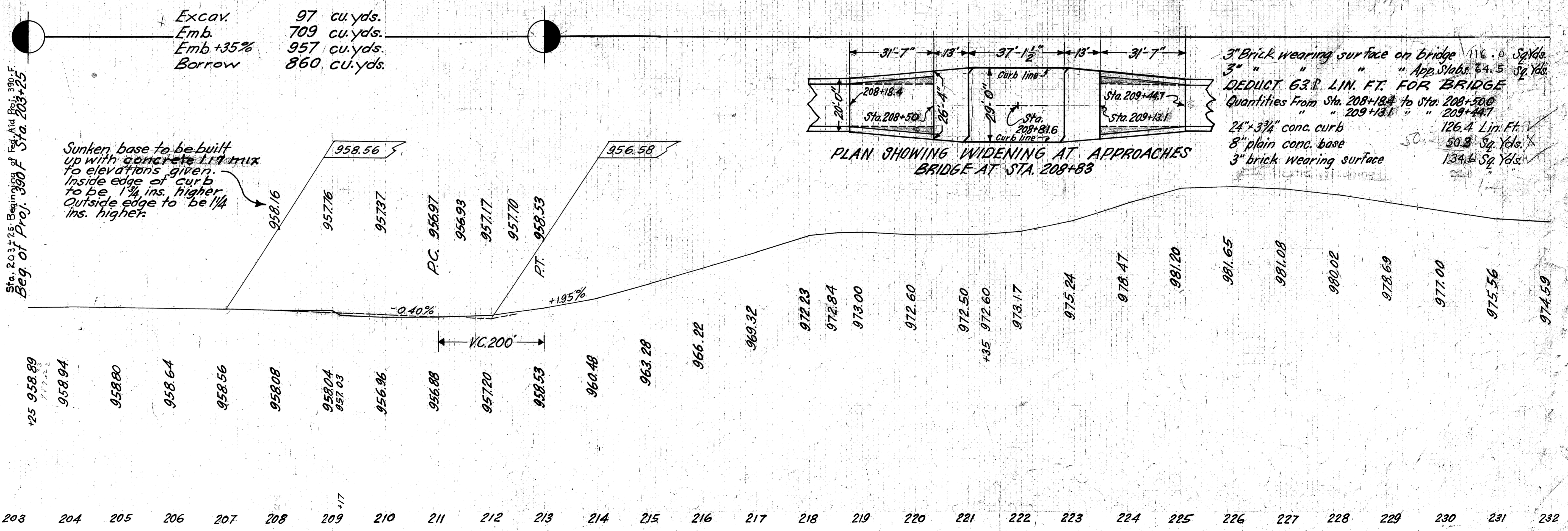
B.M. Sta. 206+45  
S.W. Cor. step Left of & Elev. 960.31

B.M. Sta. 215+85  
Nail in White Oak Left of & Elev. 966.96

B.M. Sta. 223+10  
Nail in Wild Cherry Left of & Elev. 974.89

B.M. Sta. 227+30  
Nail in Red Oak Right of & Elev. 983.79

Excav.	97 cu. yds.
Emb.	709 cu. yds.
Emb +35%	957 cu. yds.
Borrow	860 cu. yds.



3" brick wearing surface on bridge 116.0 Sq. Yds.  
3" " " " App. Slabs 64.5 Sq. Yds.  
DEDUCT 63.1 LIN. FT. FOR BRIDGE  
Quantities From Sta. 208+18.4 to Sta. 208+50.0  
" " 209+13.1 " " 209+44.7  
24"x3 1/4" conc. curb 126.4 Lin. Ft.  
8" plain conc. base 50.3 Sq. Yds.  
3" brick wearing surface 134.6 Sq. Yds.

Sunken base to be built up with concrete 1:1 mix to elevations given. Inside edge of curb to be 1/4 ins. higher. Outside edge to be 1/4 ins. higher.

PLAN SHOWING WIDENING AT APPROACHES BRIDGE AT STA. 208+83

Glasgow 1/14/30

Glasgow 1/14/30

FED. AID DIST. NO.	STATE	FED. AID PROJECT	FISCAL YEAR	4 36
10	OHIO	390 F	1930	

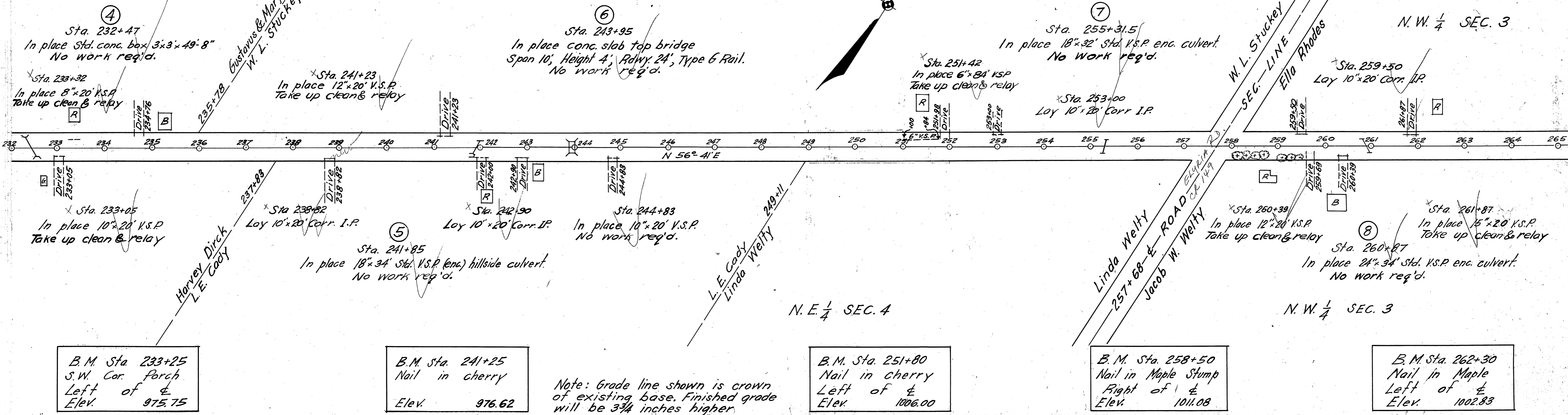
S.H.(I.C.H.) 540 SEC. 1-12  
WAYNE COUNTY

N.W. 1/4 SEC. 3

N.E. 1/4 SEC. 4

N.E. 1/4 SEC. 4

N.W. 1/4 SEC. 3



B.M. Sta. 233+25  
S.W. Cor. Porch  
Left of  $\frac{1}{2}$   
Elev. 975.75

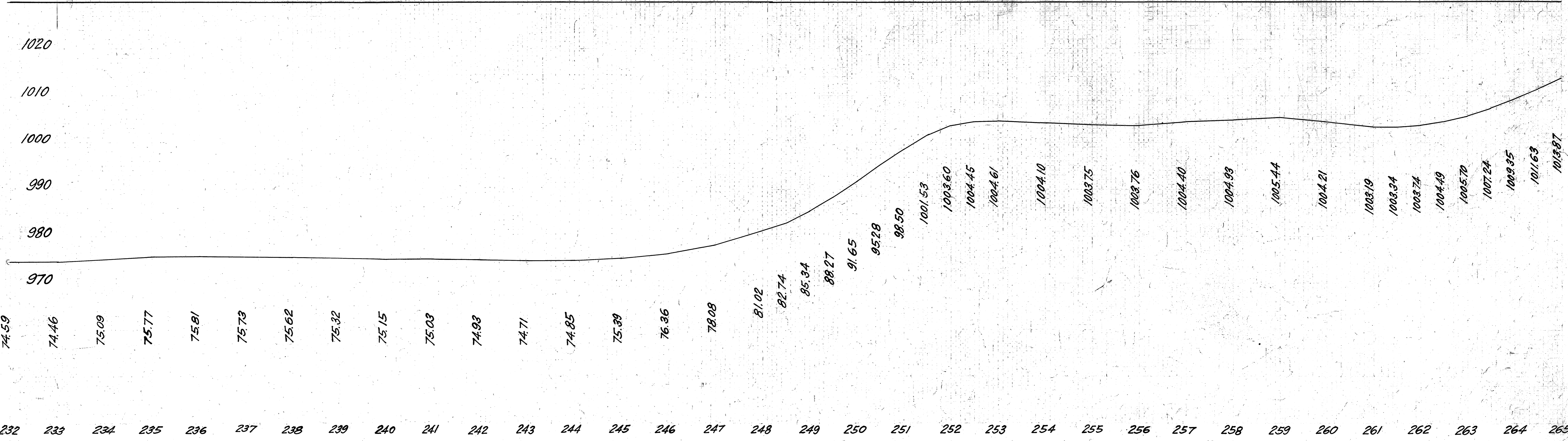
B.M. Sta. 241+25  
Nail in cherry  
Elev. 976.62

Note: Grade line shown is crown of existing base. Finished grade will be  $3\frac{3}{4}$  inches higher.

B.M. Sta. 251+80  
Nail in cherry  
Left of  $\frac{1}{2}$   
Elev. 1006.00

B.M. Sta. 258+50  
Nail in Maple Stump  
Right of  $\frac{1}{2}$   
Elev. 1011.08

B.M. Sta. 262+30  
Nail in Maple  
Left of  $\frac{1}{2}$   
Elev. 1002.83



FED. AID DIST. NO.	STATE	FED. AID PROJECT	FISCAL YEAR	5 36
10	OHIO	390 E	1930	

S.H. (I.G.H.) 540 SEC. 1-12  
WAYNE COUNTY

S.E. 1/4 SEC. 34

Sta. 293+59  
In place Std. conc. box 4'x3'x38'  
No work Req'd.

Sta. 292+37  
In place M.G. Wood box 12'x12'x14'  
Replace with 12'x20' corr. IR

S.E. 1/4 SEC. 34

S.W. 1/4 SEC. 34

Sta. 278+69  
In place 24"x38" Std. V.S.P. (enc) culvert  
No work Req'd.

Sta. 285+90  
In place 12"x16" sec. C.I.P.  
No work req'd.

Sta. 286+27.5  
In place 12"x36" Std. V.S.P. enc. culvert  
No work Req'd.

S.W. 1/4 SEC. 34

Sta. 274+42  
In place 15"x40" Std. S.P. V.S.P. (enc) culvert  
No work Req'd.

Sta. 274+10  
In place 12"x20" V.S.P.  
Take up clean and Relay

Sta. 282+68  
In place 12"x20" V.S.P.  
No work req'd.

N.W. 1/4 SEC. 3

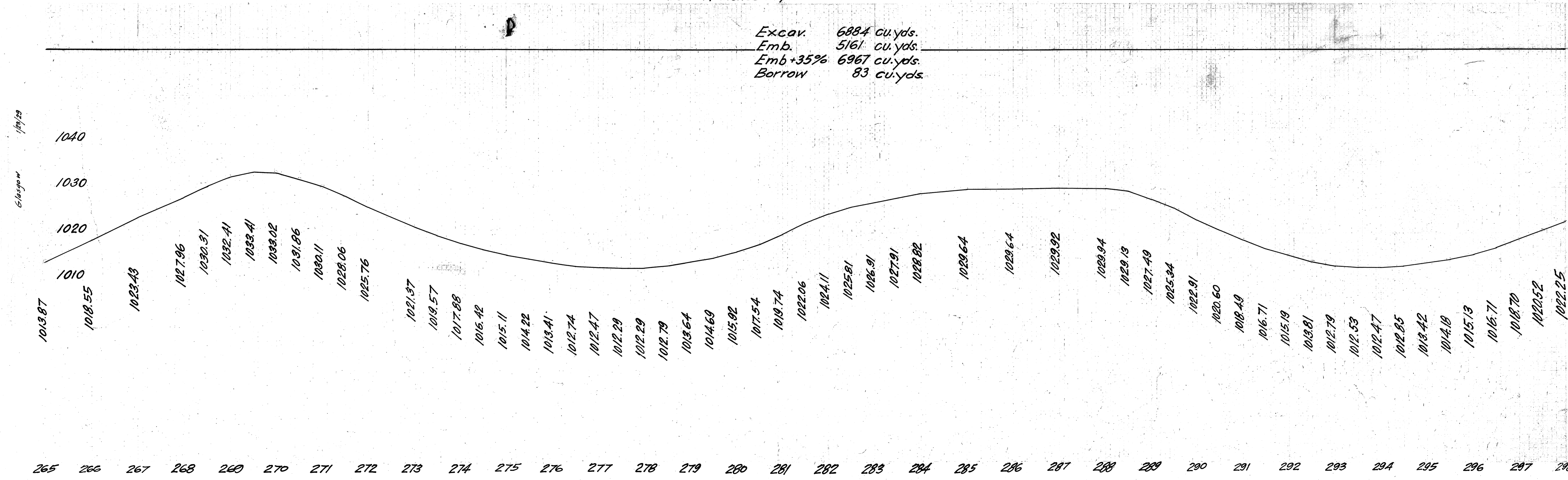
B.M. Sta. 270+50  
Nail in Cherry  
Left of  $\frac{1}{2}$   
Elev. 1036.92

B.M. Sta. 274+00  
Nail in Walnut  
Right of  $\frac{1}{2}$   
Elev. 1015.16

B.M. Sta. 287+30  
Nail in Maple  
Left of  $\frac{1}{2}$   
Elev. 1030.74

Note: Grade line shown is crown of existing base. Finished grade will be 3 3/4 inches higher

Excav. 6884 cu. yds.  
Emb. 5161 cu. yds.  
Emb + 35% 6967 cu. yds.  
Borrow 83 cu. yds.



Glasgow 1/25/30

Glasgow 1/29/29

PLAIN TWP  
True L. Armstrong  
Ella Rhodes  
CLINTON TWP

Jacob W. Welty  
Daniel Welty

Daniel Welty  
John L. Barton  
Harold & Mattie Sprang

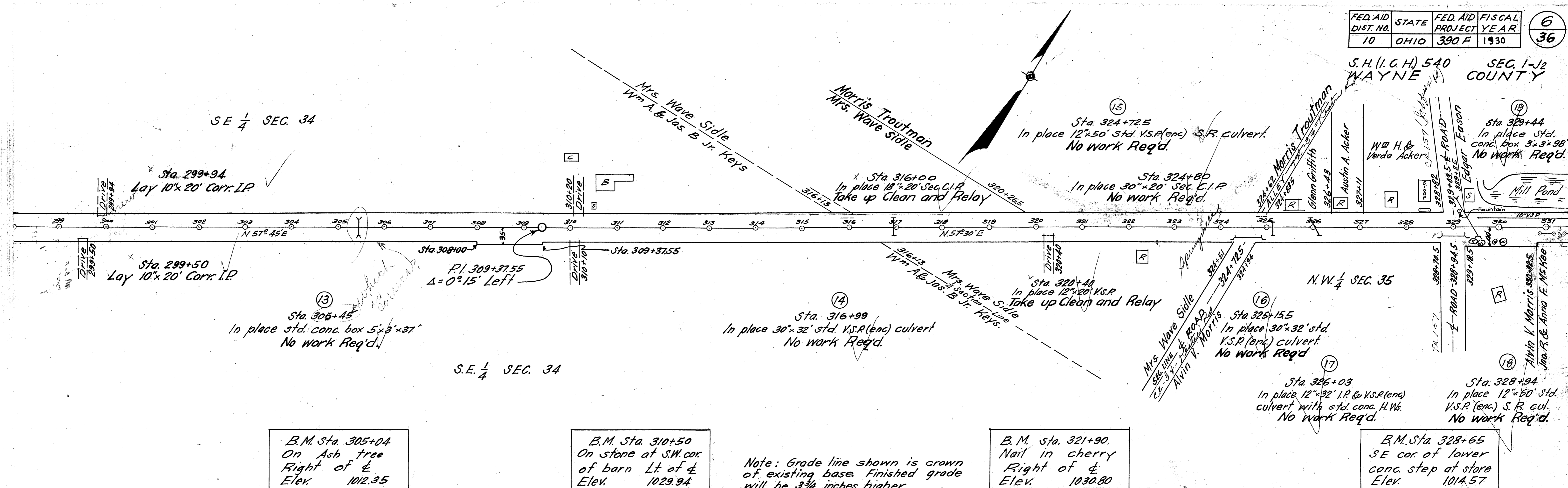
True L. Armstrong  
274+42 PUBLIC ROAD  
John L. Barton  
M.M. Hume Rd.  
CL. 2+49

John L. Barton  
Wm. A. & Jas. B. Jr. Keys

John L. Barton  
Wm. A. & Jas. B. Jr. Keys

Glasgow 1/25/30

S.H. (I.C.H.) 540  
WAYNE COUNTY SEC. 1-1/2



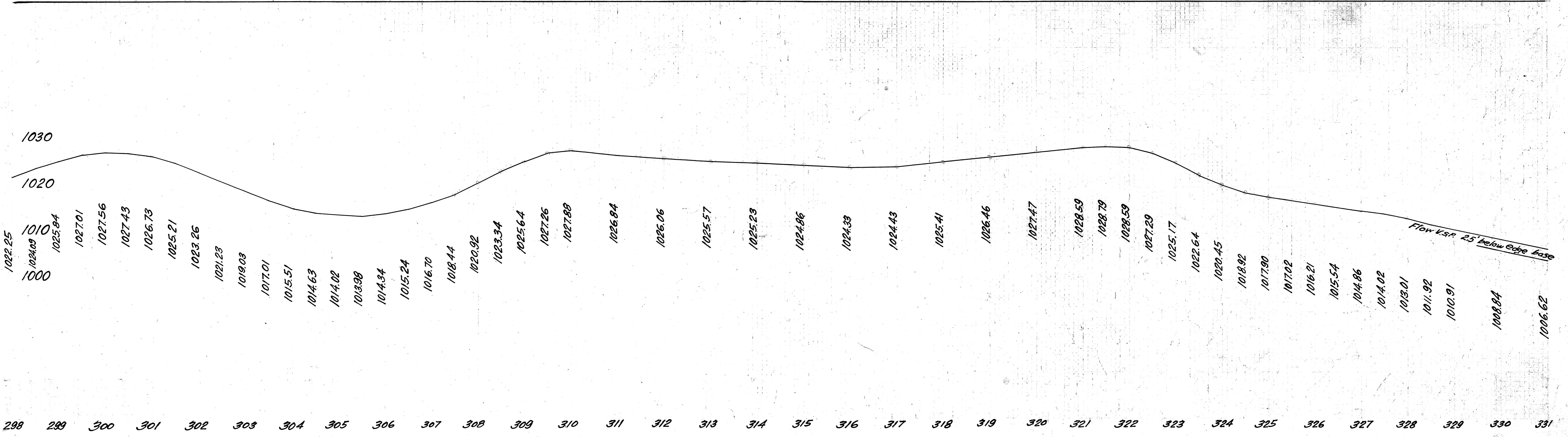
B.M. Sta. 305+04  
On Ash tree  
Right of  $\frac{1}{4}$   
Elev. 1012.35

B.M. Sta. 310+50  
On stone at S.W. cor.  
of barn Lt. of  $\frac{1}{4}$   
Elev. 1029.94

Note: Grade line shown is crown  
of existing base. Finished grade  
will be  $3\frac{3}{4}$  inches higher

B.M. Sta. 321+90  
Nail in cherry  
Right of  $\frac{1}{4}$   
Elev. 1030.80

B.M. Sta. 328+65  
SE cor. of lower  
conc. step at store  
Elev. 1014.57



Glasgow 1/24/19

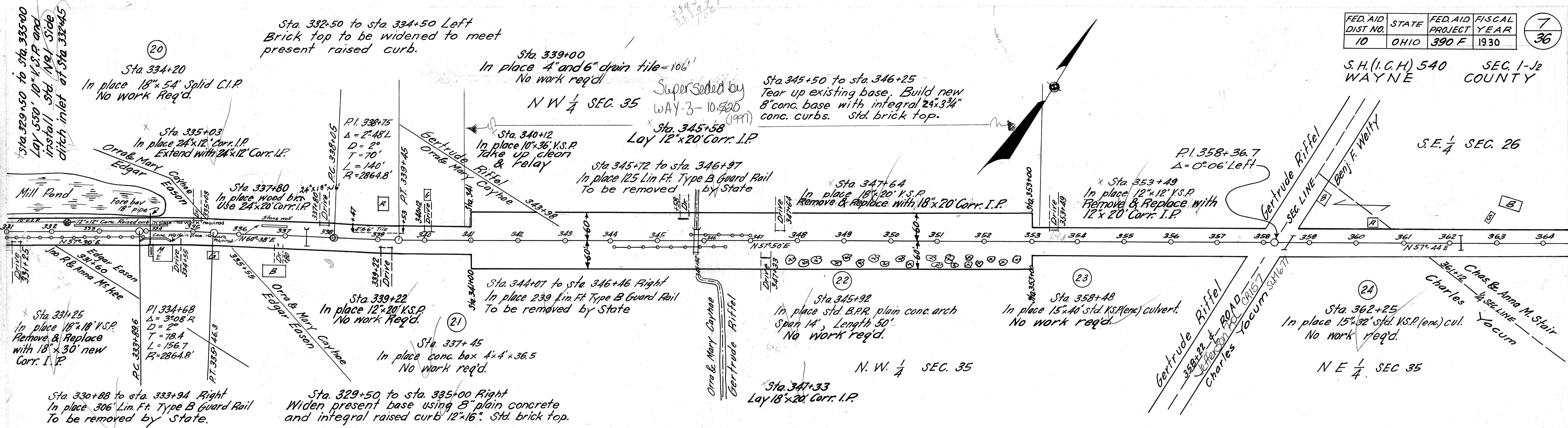
Glasgow 1/24/19

FED. AID DIST. NO.	STATE	FED. AID PROJECT	FISCAL YEAR
10	OHIO	390 F	1930

7  
36

S.H. (I.C.H.) 540  
WAYNE COUNTY

S.E. 1/4 SEC. 26



Sta. 332+50 to sta 334+50 Left  
Brick top to be widened to meet  
present raised curb.

Sta. 339+00  
In place 4" and 6" drain tile = 106'  
No work req'd

Sta. 345+50 to sta 346+25  
Tear up existing base. Build new  
8" conc. base with integral 2 3/4"  
conc. curbs. std. brick top.

P.I. 358+36.7  
Δ = 0°06' Left

Sta 334+20  
In place 18" x 54" Spld C.I.P.  
No work Req'd.

N.W. 1/4 SEC. 35  
Superseded by  
WAY-3-10,320  
(1927)  
Sta. 345+58  
Lay 12" x 20" Corr. I.P.

Sta. 345+72 to sta. 346+97  
In place 125 Lin Ft. Type B Guard Rail  
To be removed by State

Sta. 347+64  
In place 18" x 20" V.S.P.  
Remove & Replace with 18" x 20" Corr. I.P.

Sta. 353+49  
In place 12" x 12" V.S.P.  
Remove & Replace with  
12" x 20" Corr. I.P.

Sta. 335+03  
In place 24" x 12" Corr. I.P.  
Extend with 24" x 12" Corr. I.P.

Sta. 337+80  
In place wood bks  
Use 24" x 20" Corr. I.P.

P.I. 338+75  
Δ = 2°48'  
D = 2°  
T = 70'  
L = 140'  
R = 2864.8'

Sta. 340+12  
In place 10" x 36" V.S.P.  
Take up clean  
& relay

Sta. 339+22  
In place 12" x 20" V.S.P.  
No work Req'd.

Sta. 344+07 to sta. 346+46 Right  
In place 239 Lin Ft Type B Guard Rail  
To be removed by State

Sta. 345+92  
In place std. B.P.R. plain conc. arch  
Span 14', Length 50'  
No work req'd.

Sta. 358+48  
In place 15" x 40" std. K.S.P. (em.) culvert.  
No work req'd.

Sta. 362+25  
In place 15" x 32" std. V.S.P. (em.) cul.  
No work req'd.

Sta. 330+88 to sta. 333+94 Right  
In place 306" Lin. Ft. Type B Guard Rail  
To be removed by State.

Sta. 329+50 to sta. 335+00 Right  
Widen present base using 5" plain concrete  
and integral raised curb 12" x 16". Std. brick top.

Sta. 347+33  
Lay 18" x 20" Corr. I.P.

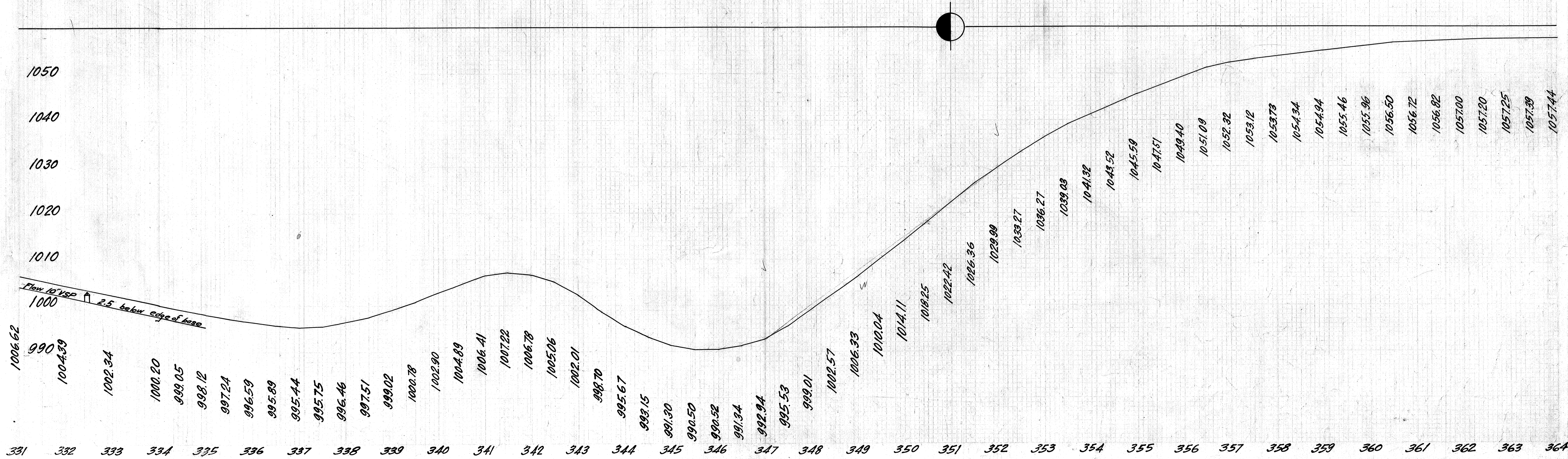
B.M. Sta. 334+  
X @ N.E. Cor. Mill  
Right of 4  
Elev. 997.37

B.M. Sta. 339+00  
X on SW cor of step  
Left of 4  
Elev. 1005.11

B.M. Sta. 347+46  
Nail in Black Oak  
Right of 4  
Elev. 993.74

B.M. Sta. 357+50  
Spike in W. Oak  
Left of 4  
Elev. 1053.05

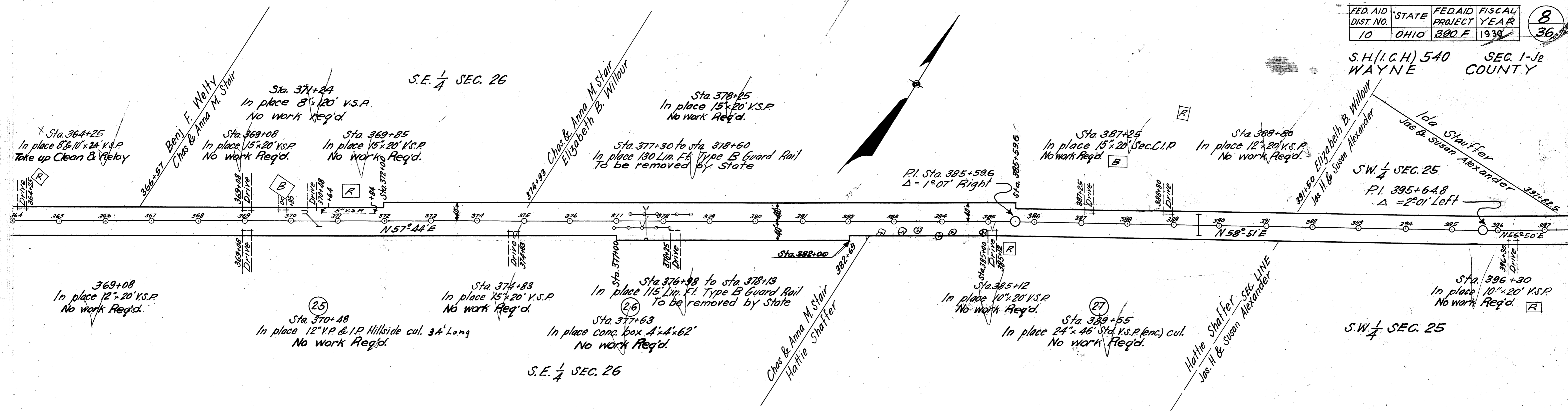
Note: Grade line shown is crown  
of existing base. Finished grade  
will be 3/4 inches higher



FED. AID DIST. NO.	STATE	FED. AID PROJECT	FISCAL YEAR
10	OHIO	300 F	1939

8  
36

S.H.(I.C.H.) 540 SEC. 1-J2  
WAYNE COUNTY



B.M. Sta. 364+80  
Spike in pine  
Left of &  
Elev. 1060.49

B.M. Sta. 370+90  
Spike in sugar  
Right of &  
Elev. 1034.52

Note: Grade line shown is crown  
of existing base. Finished grade  
will be 3/4 inches higher

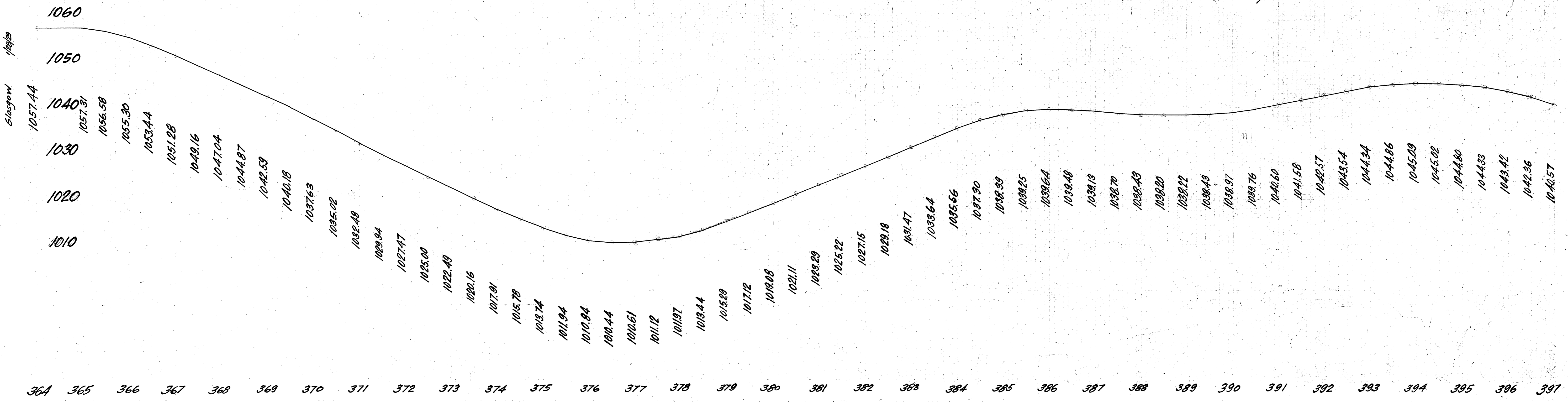
B.M. Sta. 378+  
Spike in stump  
Left of &  
Elev. 1014.41

B.M. Sta. 385+  
On stone in front  
of Shaffer House  
Elev. 1039.95

B.M. Sta. 389+55  
On West end of  
North Headwall  
Elev. 1036.82

B.M. Sta. 395+45  
On Locust stump  
Left of &  
Elev. 1044.72

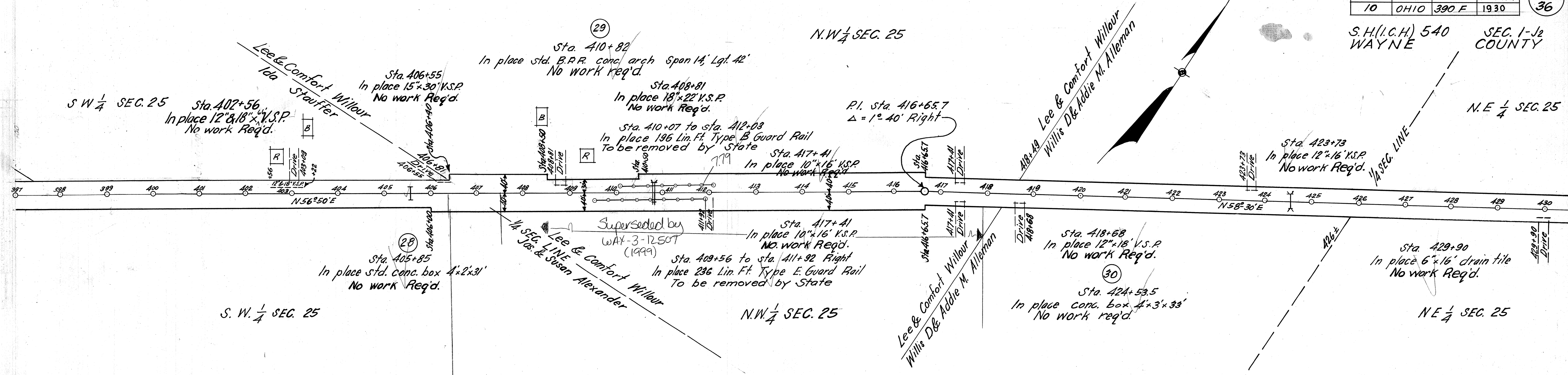
Excav. 3394 cu. yds.  
Emb. 2506 cu. yds.  
Emb. +35% 3383 cu. yds.  
Waste 11 cu. yds.





FED. AID DIST. NO.	STATE	FED. AID PROJECT	FISCAL YEAR	9
10	OHIO	390 F	1930	36

S.H.(I.C.H.) 540  
WAYNE COUNTY

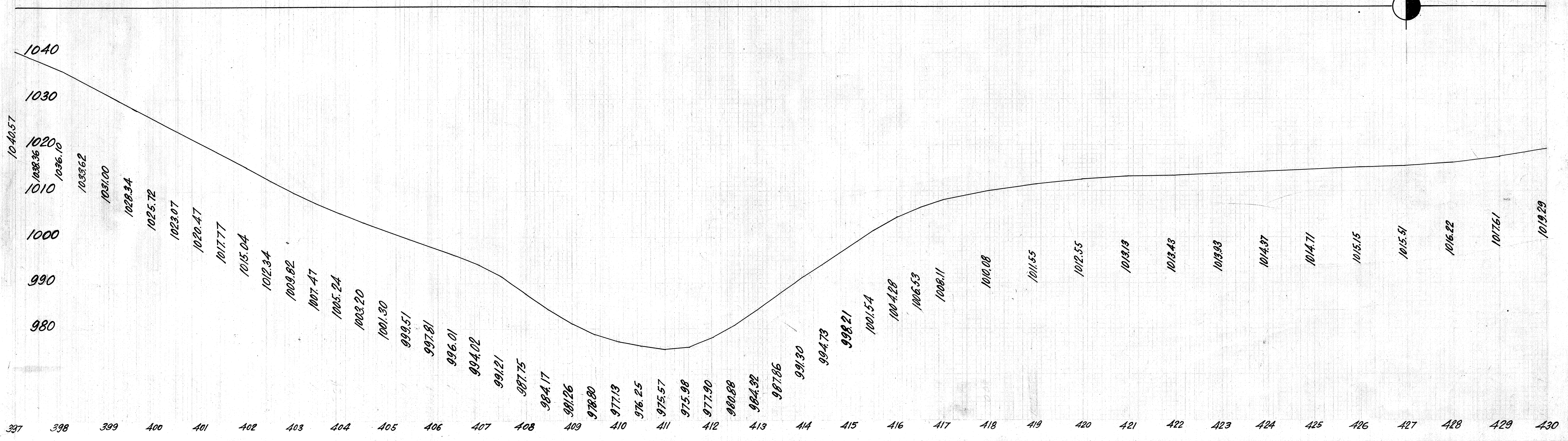


B. M. Sta. 403+50  
On S.E. cor. conc. walk  
to cellar Stauffer's  
Elev. 1015.53

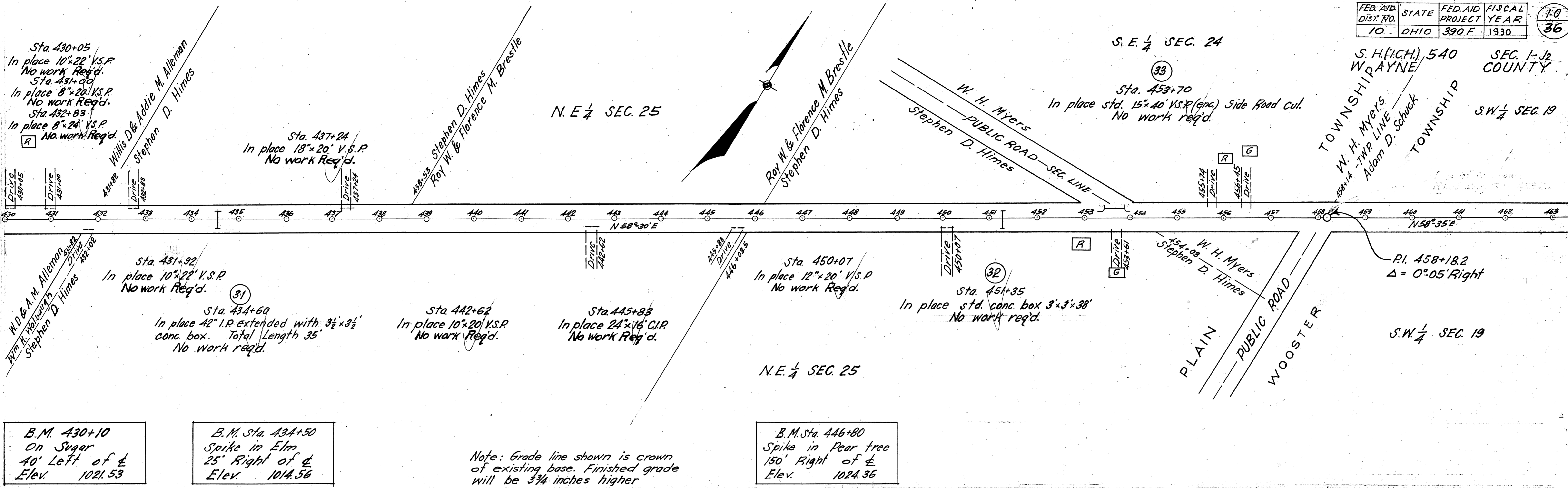
B. M. Sta. 409+03  
Spike in Maple  
Left of  $\phi$   
Elev. 984.42

Note: Grade line shown is crown  
of existing base. Finished grade  
will be 3 3/4 inches higher

B. M. Sta. 424+54  
X on East end of  
south H. W.  
Elev. 1014.87



FED. AID DIST. NO.	STATE	FED. AID PROJECT YEAR	FISCAL YEAR	10
10	OHIO	390.F	1930	36

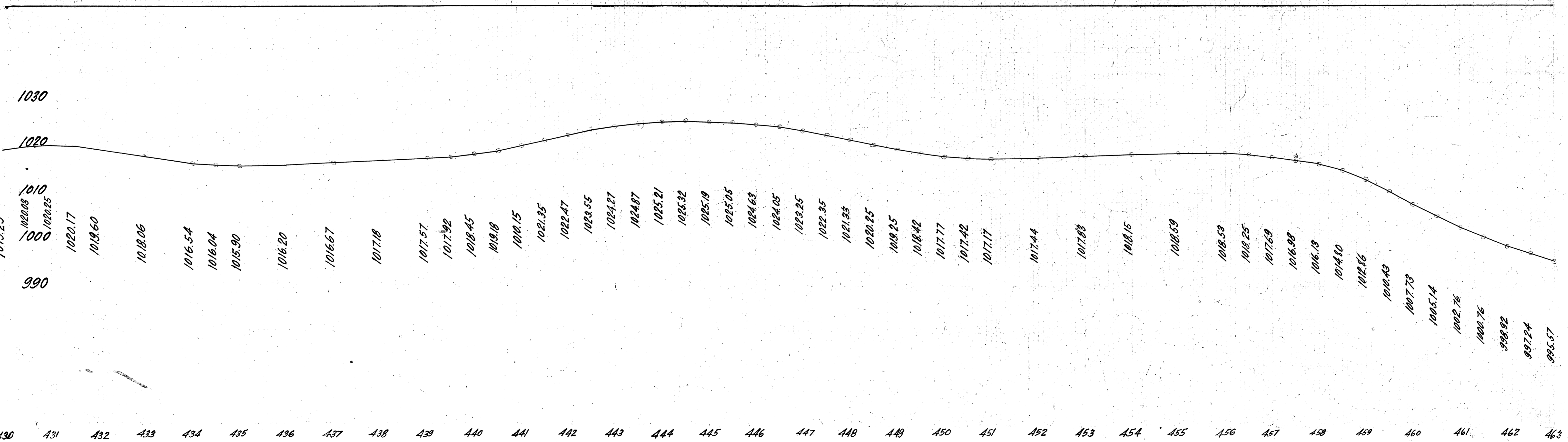


B.M. 430+10  
On Sugar  
40' Left of  $\perp$   
Elev. 1021.53

B.M. Sta. 434+50  
Spike in Elm  
25' Right of  $\perp$   
Elev. 1014.56

Note: Grade line shown is crown  
of existing base. Finished grade  
will be  $\frac{3}{4}$  inches higher

B.M. Sta. 446+80  
Spike in Pear tree  
150' Right of  $\perp$   
Elev. 1024.36



S. H. (ICH) 540  
WAYNE SEC. 1-J2  
COUNTY

Sta. 471+62.3 to sta. 475+02.5  
Superelevate present curve by  
building 24"x24" curb on right and  
raising base using concrete 1:7 mix  
slag placed in layers water bound  
and rolled. Std. brick top

Sta. 481+57  
Lay 15x20 Corr. I.P.

Sta. 465+77  
In place 18"x20" V.S.P.  
Take up Clean & Relay

Sta. 469+47  
In place 24"x24" V.S.P.  
Take up Clean & Relay

Sta. 474+48  
In place 6"x16" V.S.P.  
No work Req'd.

Sta. 479+76  
In place Std. 12"x44" Solid  
C.I.P. Side Road culvert.  
No work req'd.  
Sta. 482+24 to sta. 483+00  
In place 76 Lin. Ft. type  
B Guard Rail. To be  
removed by State

Sta. 489+76  
In place conc. box 5'4"x38'  
No work req'd.

Sta. 472+25  
In place 18"x24" V.S.P.  
No work Req'd.

Sta. 473+79  
In place 24" Solid C.I.P. extended  
with 24" V.S.P. (enc) conc. H.W.  
Length 56.5'  
No work req'd.

Sta. 480+34  
In place 12"x20" V.S.P.  
No work Req'd.

Sta. 480+64 to sta. 482+06 Right  
In place 142 Lin. Ft. Type B Guard Rail  
To be removed by State

Sta. 483+10  
In place conc. beam Superstructure  
on conc and stone Substructure  
cl. span 37.5', Roadway 20'  
No work req'd.

Sta. 490+20  
In place 12"x18" V.S.P.  
No work Req'd.

Sta. 495+39  
In place std 12"x36" V.S.P. (enc) cul.  
No work req'd.

B.M. Sta. 470+10  
Nail in Tel. Pole  
Left of  $\frac{1}{2}$   
Elev. 968.23

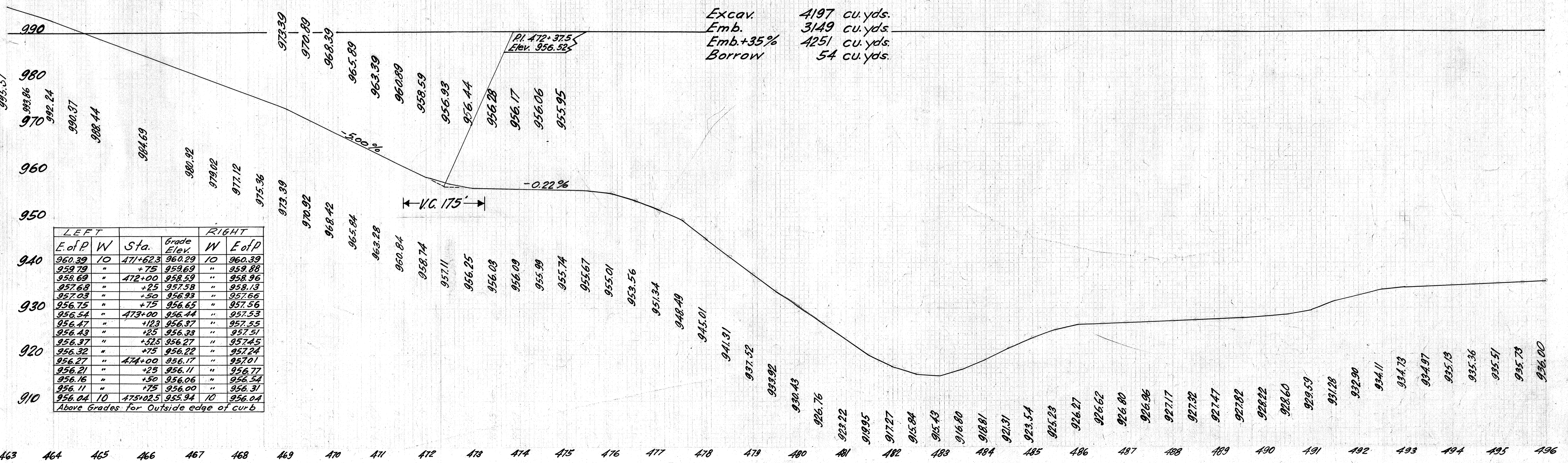
B.M. Sta. 473+40  
X on SE Cor Stone step  
75' Left of  $\frac{1}{2}$   
Elev. 952.28

B.M. Sta. 482+05  
On Maple  
35' Right of  $\frac{1}{2}$   
Elev. 911.50

B.M. Sta. 491+30  
Spike in Root of Maple  
30' Left of  $\frac{1}{2}$   
Elev. 932.06

Note: Grade line shown is crown  
of existing base. Finished grade  
will be 3 3/4 inches higher

Excav. 4197 cu. yds.  
Emb. 3149 cu. yds.  
Emb.+35% 4251 cu. yds.  
Borrow 54 cu. yds.



LEFT			RIGHT		
E. of P	W	Sta.	Grade Elev.	W	E. of P
		471+62.3	960.29	10	960.39
		+75	959.69		959.88
		472+00	958.59		958.96
		+25	957.58		958.13
		+50	956.93		957.66
		+75	956.65		957.56
		473+00	956.44		957.53
		+123	956.37		957.55
		+25	956.33		957.51
		+525	956.27		957.45
		+75	956.22		957.24
		474+00	956.17		957.01
		+25	956.11		956.77
		+50	956.06		956.54
		+75	956.00		956.31
		475+02.5	955.94	10	956.04

Above Grades for Outside edge of curb

FED. AID DIST. NO.	STATE	FED. AID PROJECT	FISCAL YEAR
10	OHIO	390F	1930

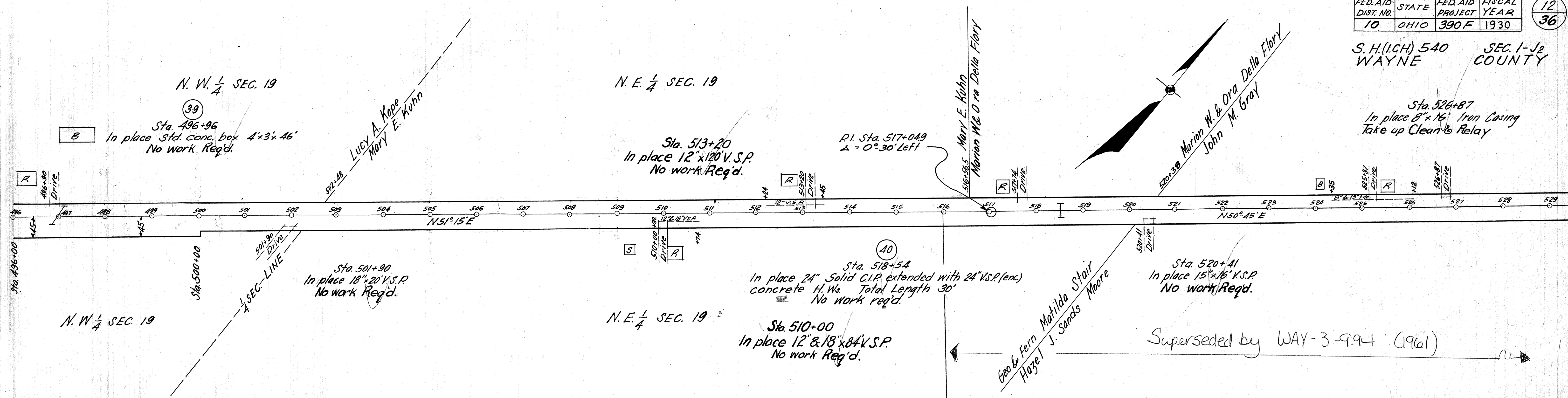
12  
36

S. H. (I.C.H.) 540 WAYNE SEC. 1-J2 COUNTY

Sta. 526+87  
In place 8" x 16" Iron Casing  
Take up Clean & Relay

GLASGOW 9/1/29

GLASGOW 9/1/29



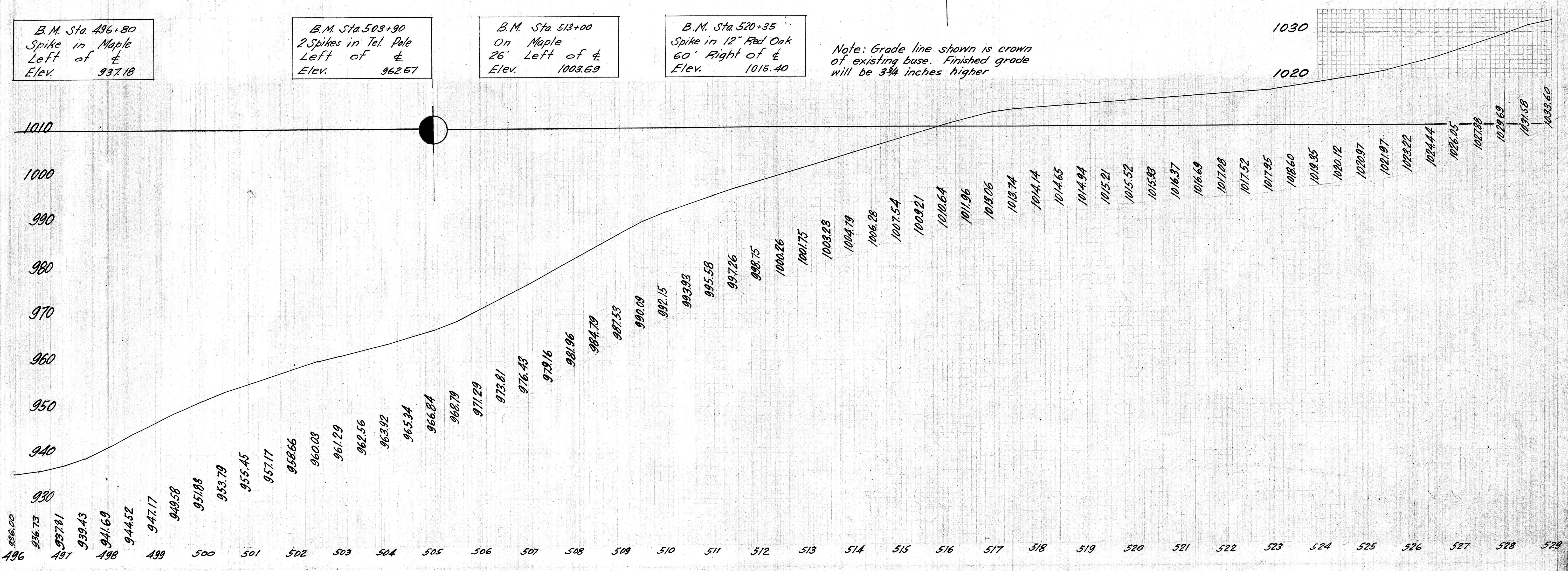
B.M. Sta. 496+80  
Spike in Maple  
Left of  $\perp$   
Elev. 937.18

B.M. Sta. 503+90  
2 Spikes in Tel. Pole  
Left of  $\perp$   
Elev. 962.67

B.M. Sta. 513+00  
On Maple  
26' Left of  $\perp$   
Elev. 1003.69

B.M. Sta. 520+35  
Spike in 12" Red Oak  
60' Right of  $\perp$   
Elev. 1015.40

Note: Grade line shown is crown of existing base. Finished grade will be 3 3/4 inches higher

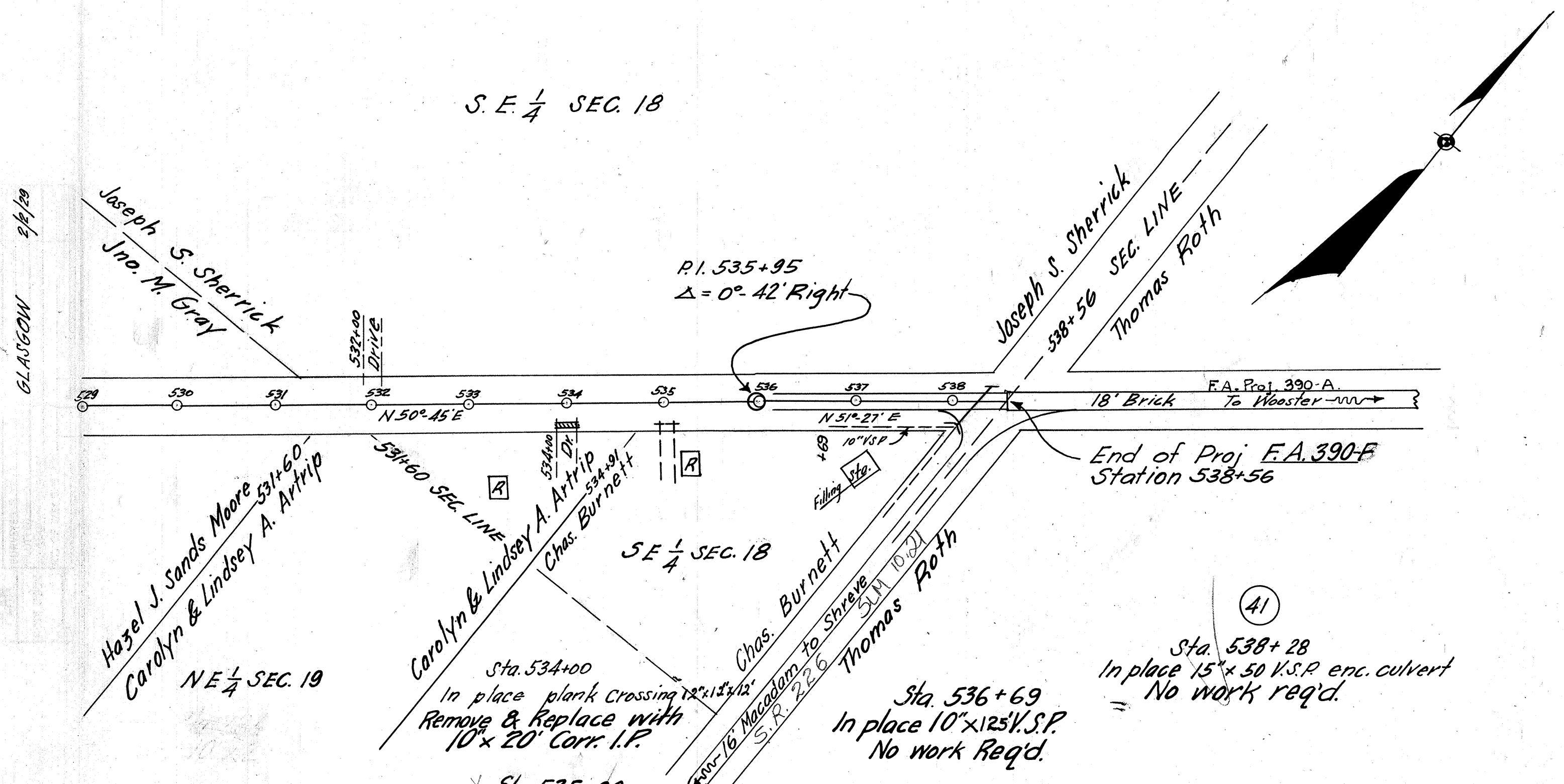


Superseded by WAY-3-994 (1961)

FED. AID DIST. NO.	STATE	FED. AID PROJECT	FISCAL YEAR
10	OHIO	390 F	1930

13  
36

S.H. (I.G.H) 540  
WAYNE  
SEC. 1-J2  
COUNTY



\*  
Entire sheet Superseded by  
WAY-3-994 (1961)

B.M. Sta. 529+85  
Spike in 24" Maple  
Right of  $\frac{1}{2}$   
Elev. 1040.07

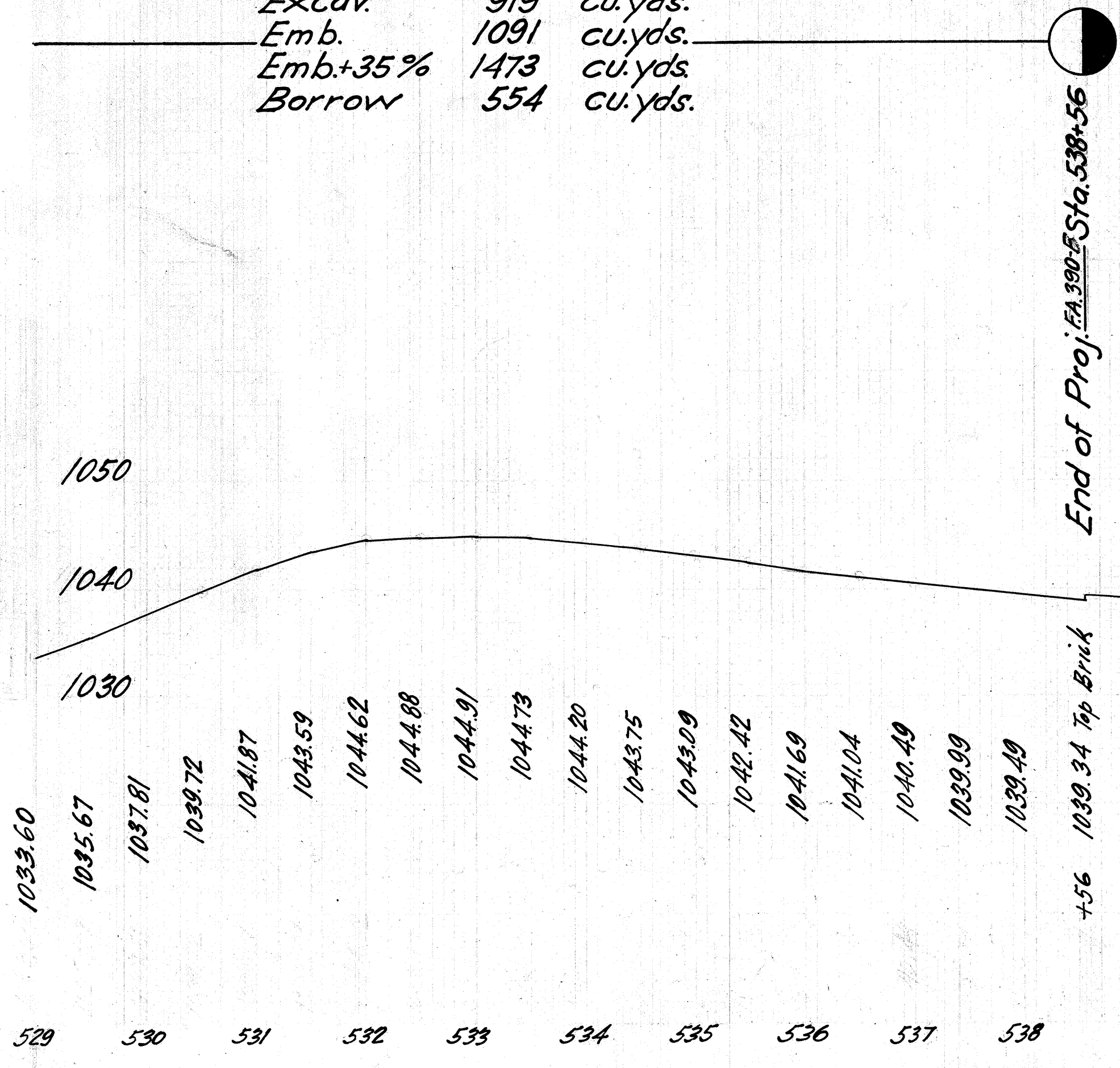
Note: Grade line shown is crown  
of existing base. Finished grade  
will be  $\frac{3}{4}$  inches higher.

B.M. Sta. 541+00  
Spike in Maple  
300' Right of  $\frac{1}{2}$   
Elev. 1039.54

(41)  
Sta. 538+28  
In place 15" x 50 V.S.P. enc. culvert  
= No work req'd.

Sta. 536+69  
In place 10" x 125 V.S.P.  
No work Req'd.

Excav.	919	cu.yds.
Emb.	1091	cu.yds.
Emb.+35%	1473	cu.yds.
Borrow	554	cu.yds.



30 25 20 15 10 5 0 5 10 15 20 25 30

30 25 20 15 10 5 0 5 10 15 20 25

FED. AID DIST. NO.	STATE	FED. AID PROJECT	FISCAL YEAR
10	OHIO	390 F.	1930

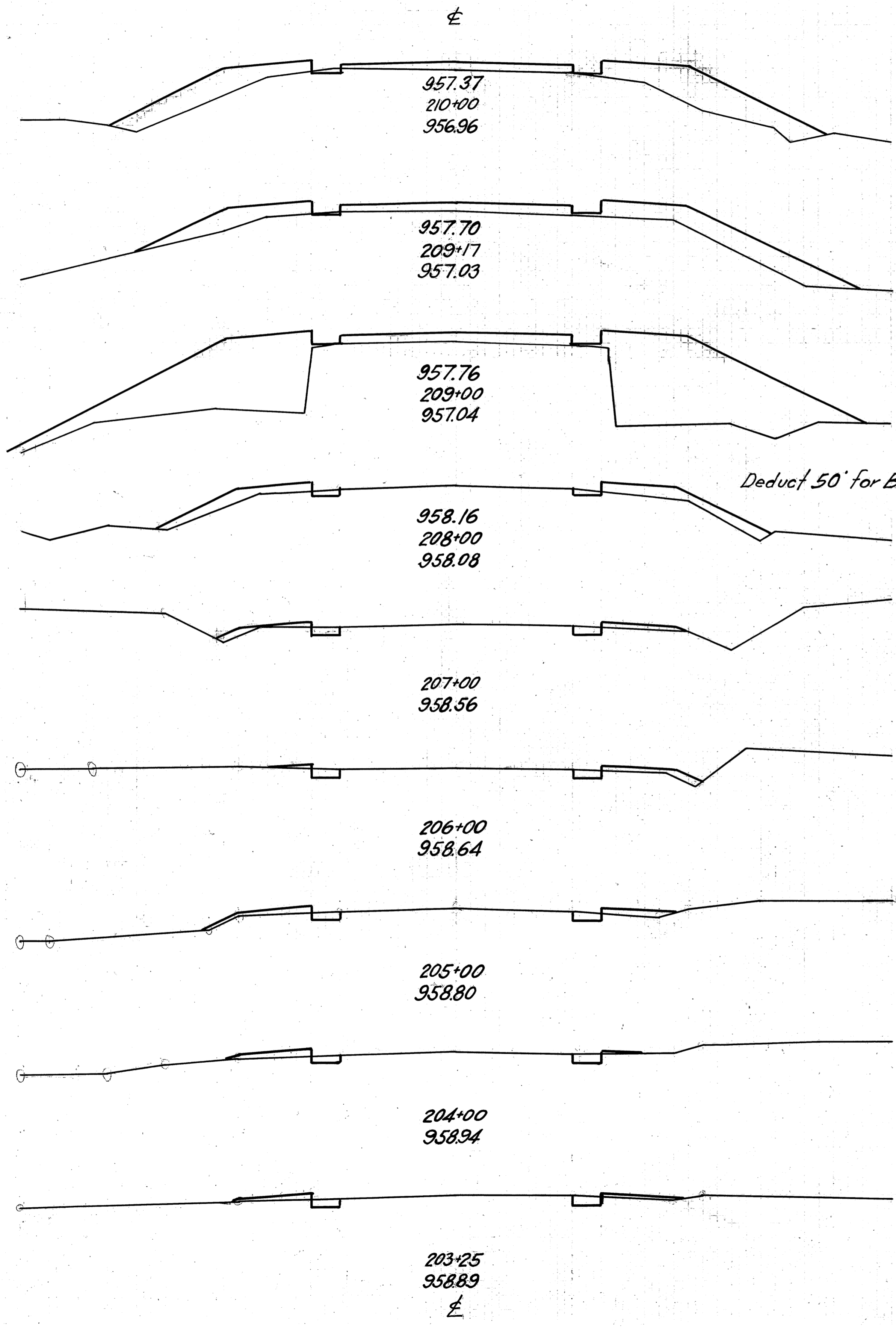
S.H. (I.C.H.) 540 WAYNE

SEC. I-J<sub>2</sub> COUNTY

14  
36

GLASSBORO  
GLASSBORO  
HAGER

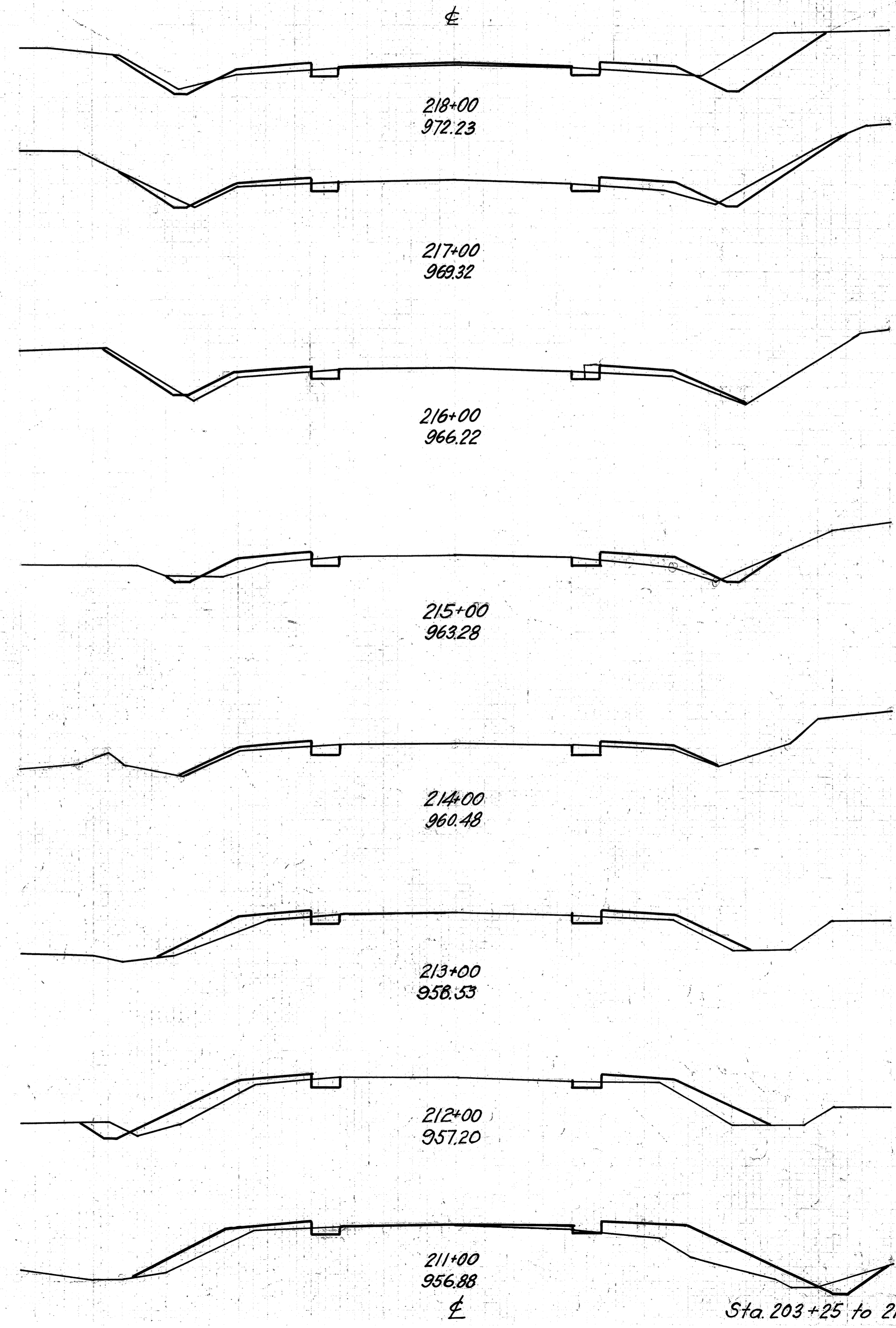
J. ERWIN  
2-2-29



Deduct 50' for Bridge

END AREA	CU. YDS.	
	CUT	FILL
1	45	
		122
0	35	
		54
0	135	
		143
2	19	
		44
3	5	
		17
3	4	
		19
3	6	
		17
3	3	
		10
3	4	

Excav. 97 cu. yds.  
Emb. 709 cu. yds.  
Emb+35% 957 cu. yds.  
Borrow 860 cu. yds.

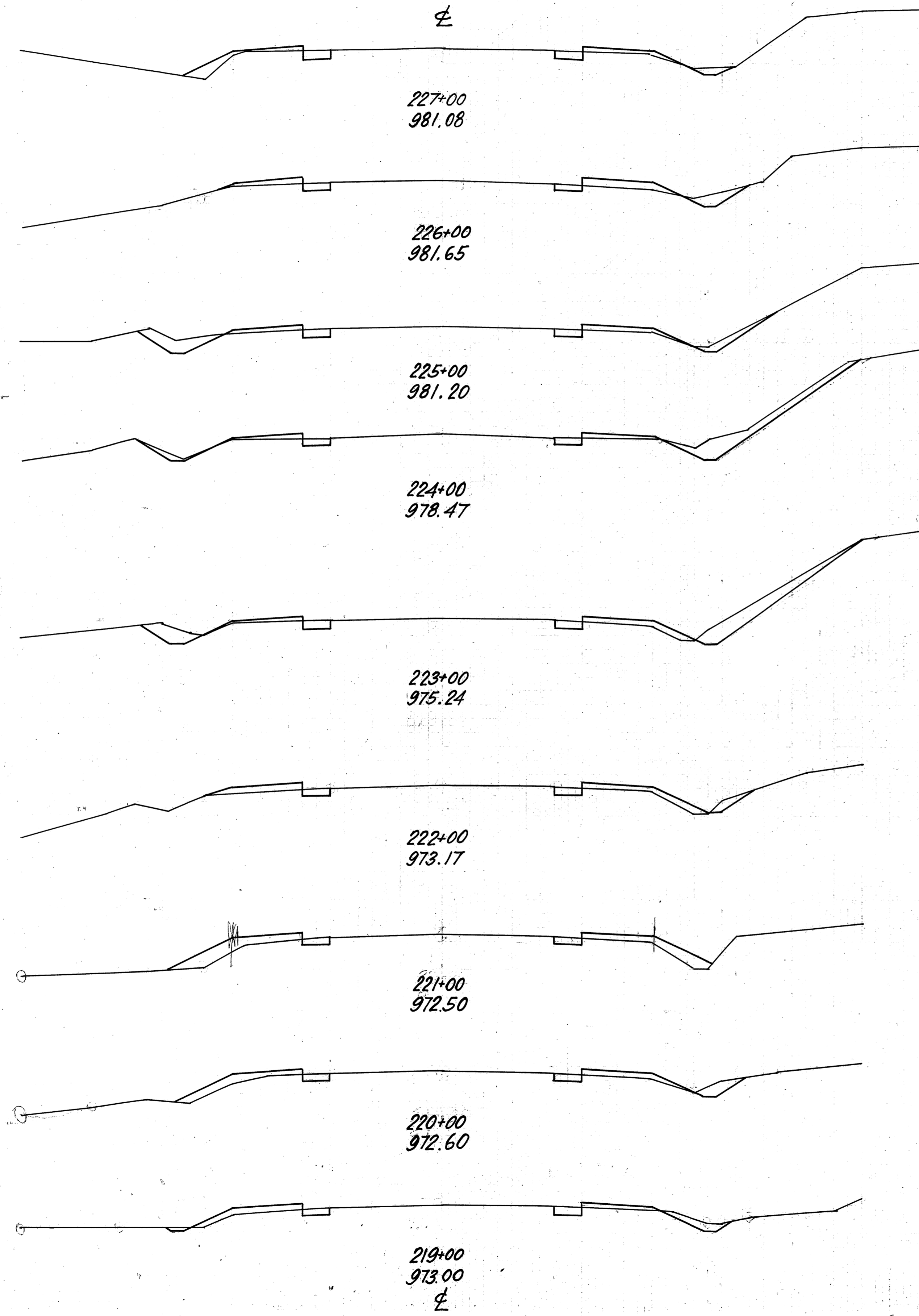


END AREA	CU. YDS.	
	CUT	FILL
21	7	
		32
11	10	
		41
6	12	
		43
6	11	
		37
3	9	
		43
3	14	
		59
5	18	
		87
5	29	
		137

Sta. 203+25 to 218+00

30 25 20 15 10 5 0 5 10 15 20 25 30

END AREA	CU. YDS.	
	CUT	FILL
4	8	
	22	28
6	7	
	33	24
12	6	
	55	20
18	5	
	68	19
19	5	
	41	26
3	9	
	11	44
3	15	
	15	44
5	9	
	20	31
6	8	
	50	28

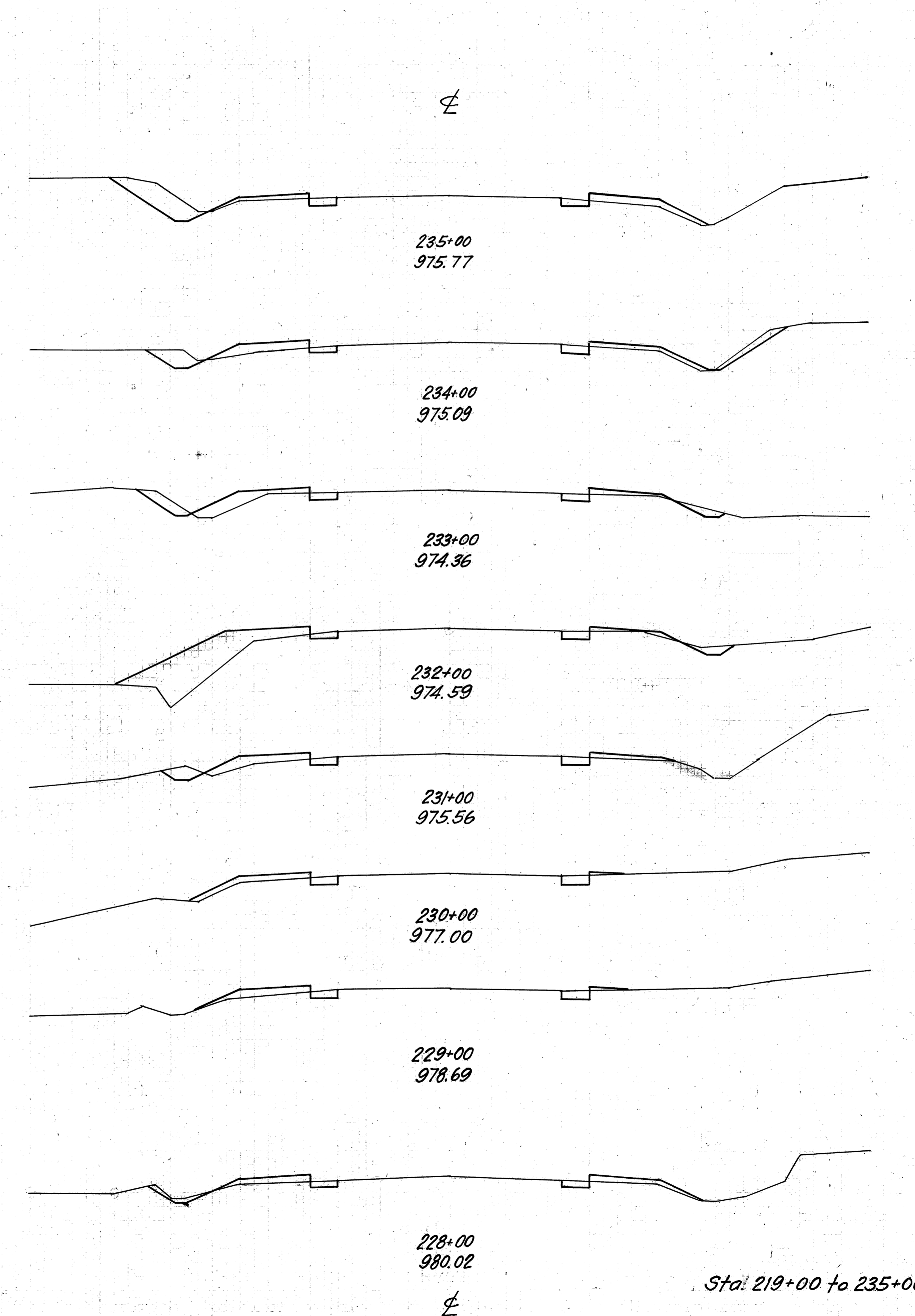


GLASSON  
GLASSON  
HAAGER

J. E. Rohr

30 25 20 15 10 5 0 5 10 15 20 25

END AREA	CU. YDS.	
	CUT	FILL
13	8	
	41	32
9	9	
	32	32
8	8	
	24	61
5	25	
	19	61
5	8	
	15	24
3	5	
	11	18
3	5	
	15	24
5	8	
	17	30



Sta. 219+00 to 235+00

FED. AID DIST. NO.	STATE	FED. AID PROJECT	FISCAL YEAR
10	OHIO	390F	1930

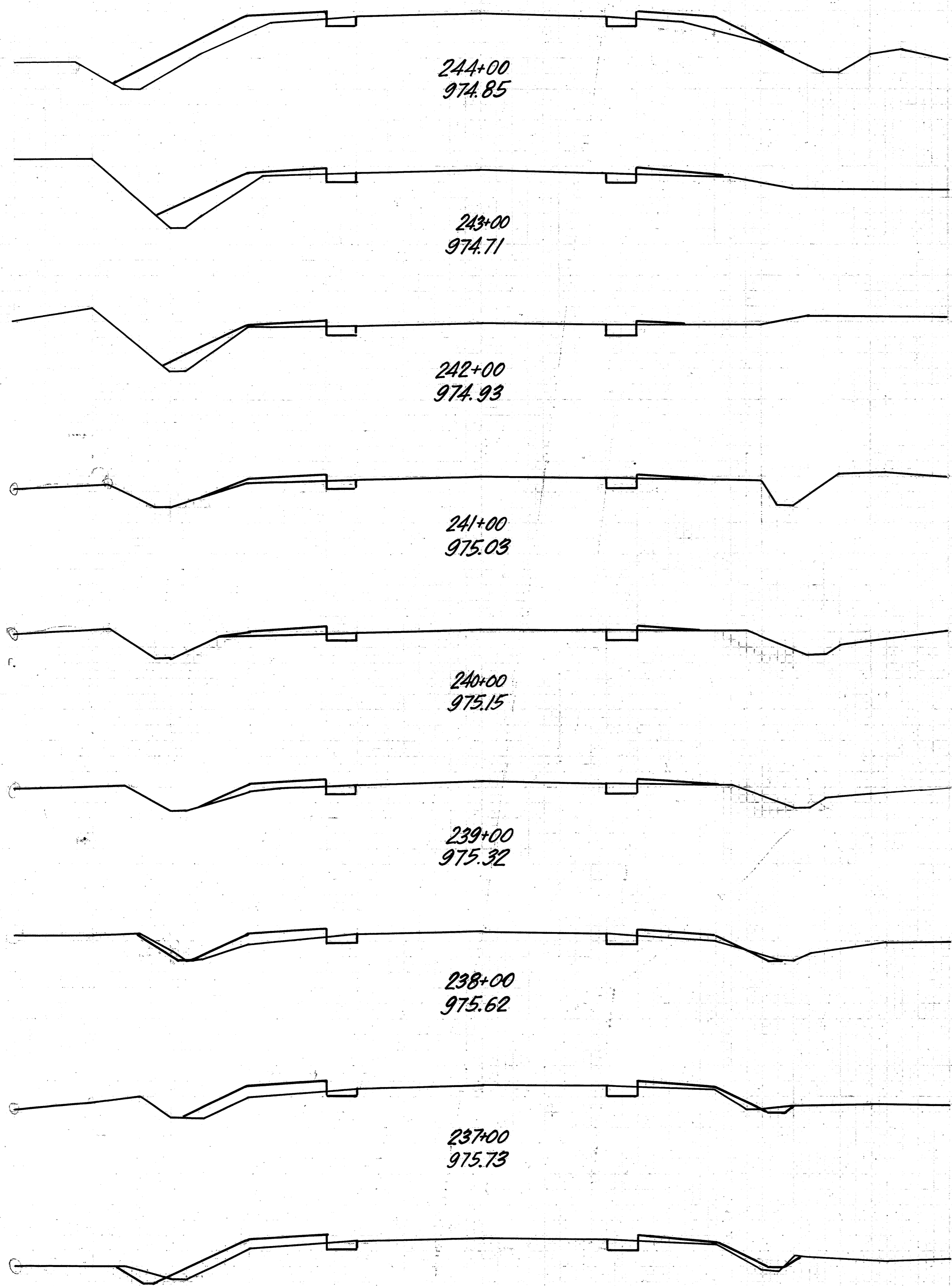
S.H. (I.C.H.) 540  
WAYNE

SEC. 1-J<sub>2</sub>  
COUNTY

15  
36

30 25 20 15 10 5 0 5 10 15 20 25 30

±



244+00  
974.85

243+00  
974.71

242+00  
974.93

241+00  
975.03

240+00  
975.15

239+00  
975.32

238+00  
975.62

237+00  
975.73

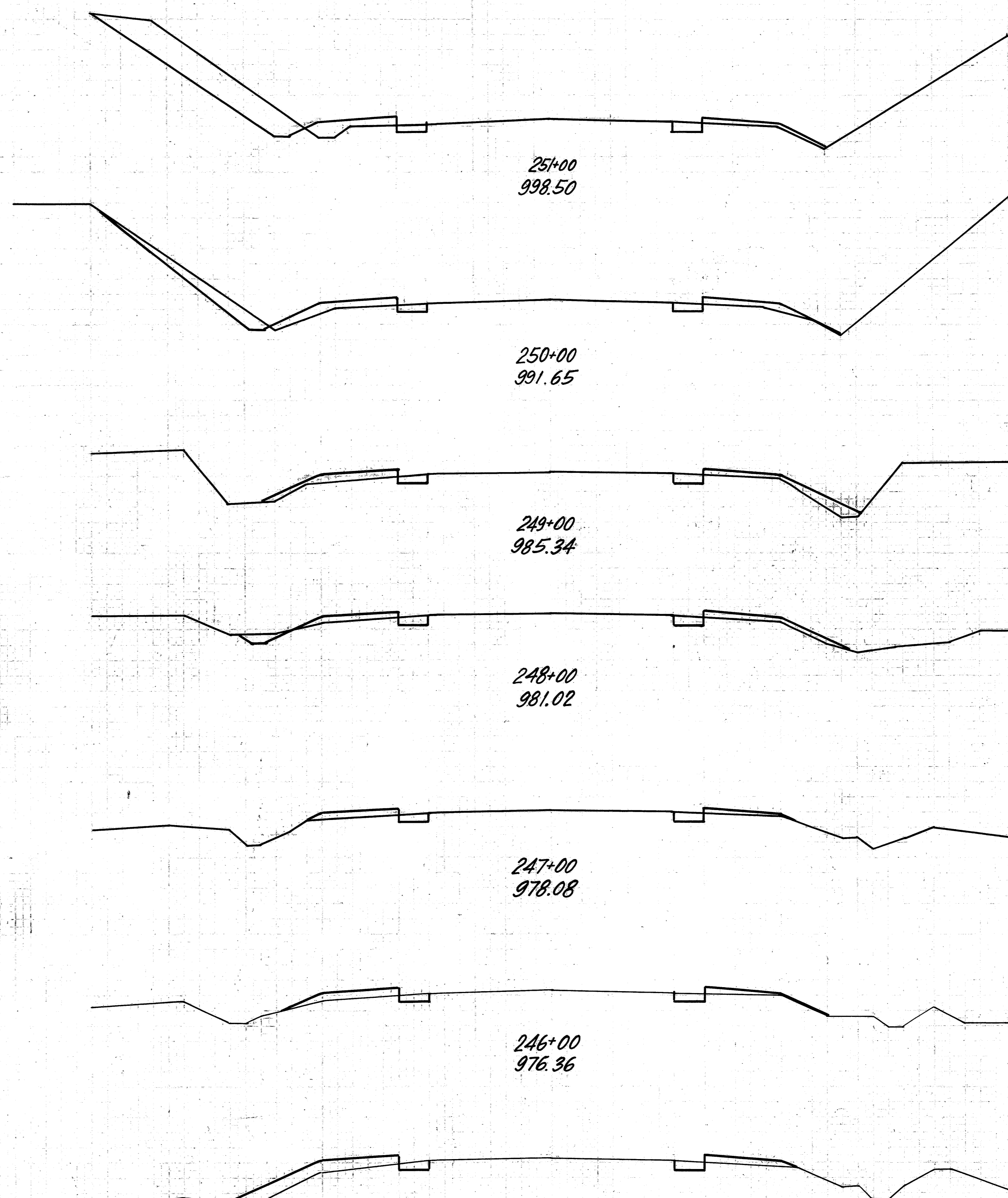
236+00  
975.81

±

END AREA	CU. YDS.	
	CUT	FILL
3	18	
		11 56
3	12	
		11 37
3	8	
		11 20
3	3	
		11 13
3	4	
		11 17
3	5	
		15 28
5	10	
		17 37
4	10	
		17 43
5	13	
		33 57

30 25 20 15 10 5 0 5 10 15 20 25

±



251+00  
998.50

250+00  
991.65

249+00  
985.34

248+00  
981.02

247+00  
978.08

246+00  
976.36

245+00  
975.39

±

FED. AID DIST. NO.	STATE	FED. AID PROJECT	FISCAL YEAR
10	OHIO	390F	1930

S.H. (I.C.H.) 540 SEC. 1-J<sub>2</sub>  
WAYNE COUNTY

16  
36

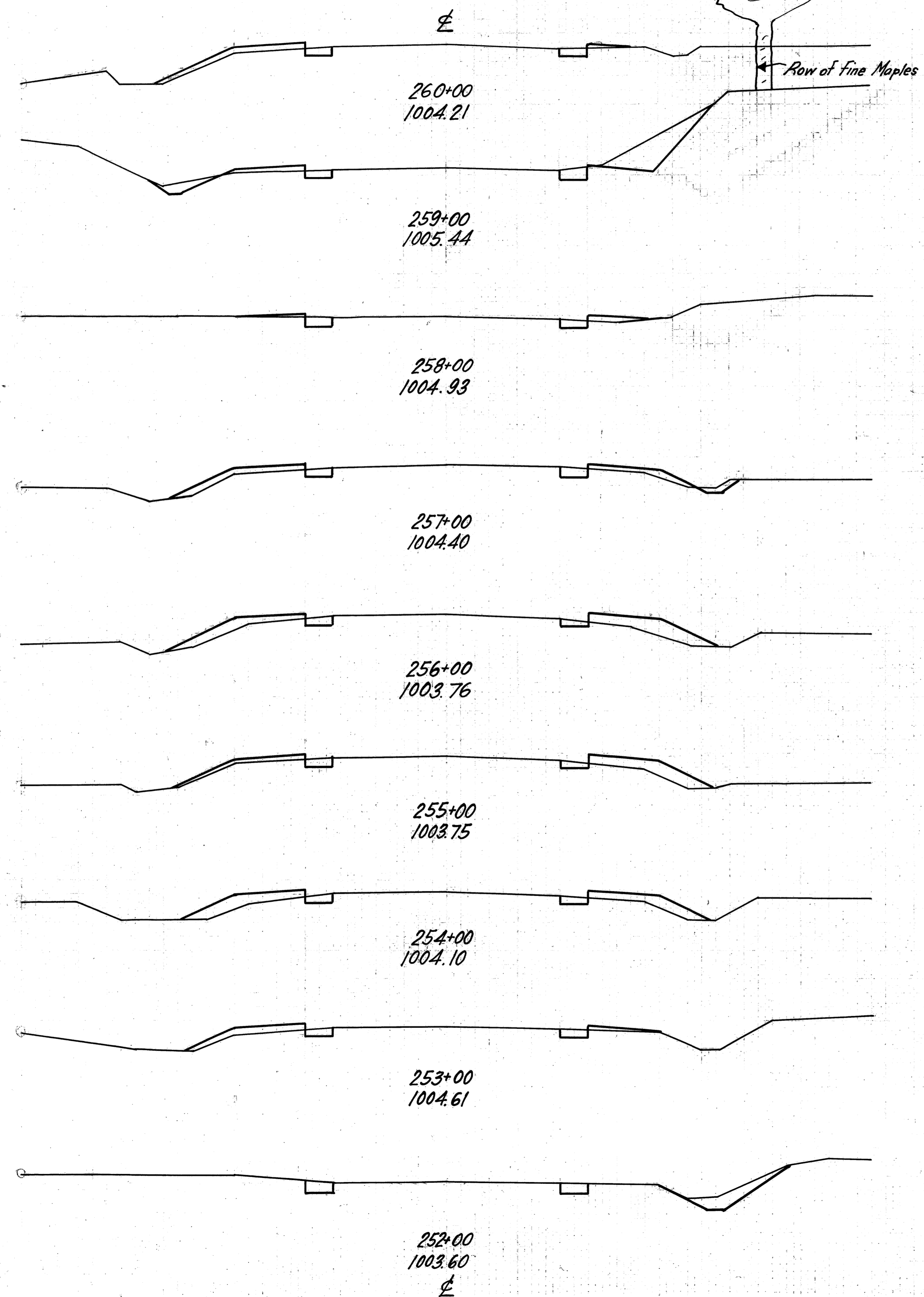
3/4  
5/25

END AREA	CU. YDS.	
	CUT	FILL
		26 8
		74 33
		14 10
		32 41
		3 12
		13 39
		4 9
		13 26
		3 5
		11 24
		3 8
		17 43
6	15	
		17 61

Sta. 236+00 to 251+00

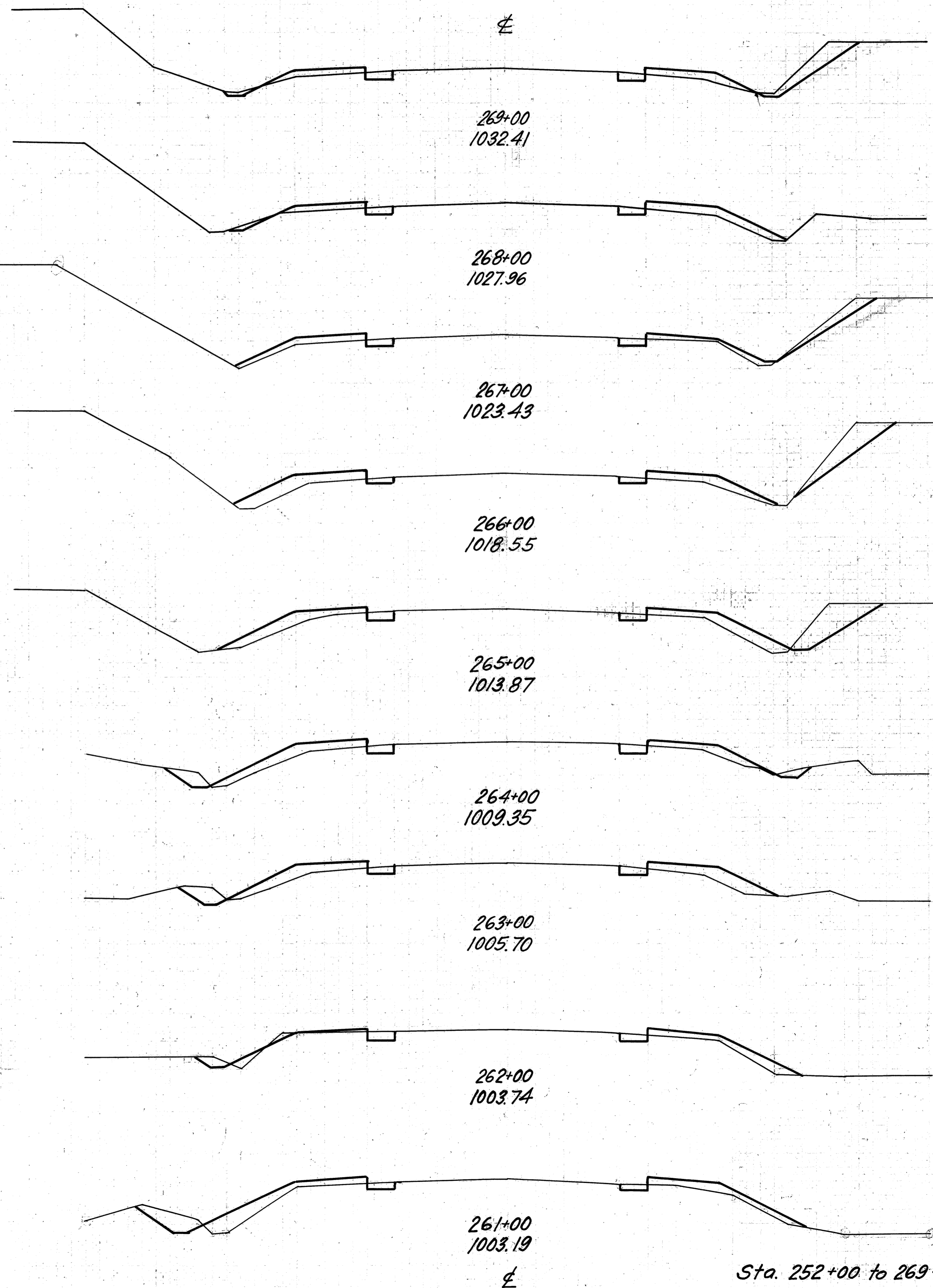


30 25 20 15 10 5 0 5 10 15 20 25 30



END AREA		CU. YDS.	
CUT	FILL	CUT	FILL
3	7		
		35	18
16	3		
		35	9
3	2		
		13	20
4	9		
		13	48
3	17		
		11	54
3	12		
		11	44
3	12		
		15	35
5	7		
		26	13
9	0		
		65	15

30 25 20 15 10 5 0 5 10 15 20 25



FED. AID DIST. NO.	STATE	FED. AID PROJECT	FISCAL YEAR	17 36
10	OHIO	390.F	1930	

S.H. (I.C.H.)  
WAYNE

SEC. 1-J<sub>2</sub>  
COUNTY

148/670

END AREA		CU. YDS.	
CUT	FILL	CUT	FILL
		11	8
			26 30
3	8		
		20	37
8	12		
		32	46
9	13		
		37	54
11	16		
		31	56
6	14		
		22	56
6	16		
		18	48
4	10		
		20	46
7	15		
		18	41

Sta. 252+00 to 269+00

2/19/29

CLASOM  
CHASER

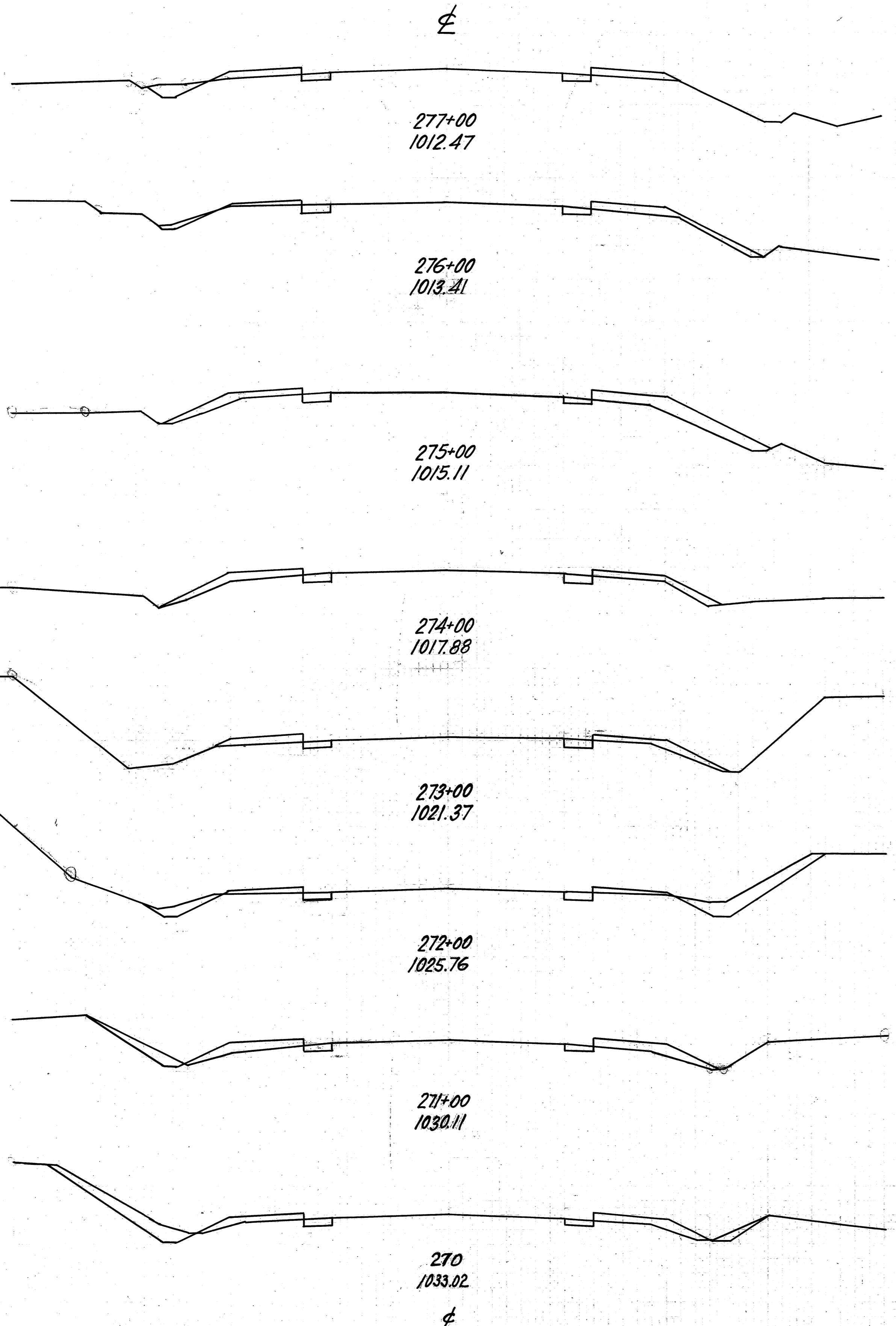
2-4-29

J. F. Rohr

30 25 20 15 10 5 0 5 10 15 20 25 30

2/19/29  
GLASGOW  
MANAGER

1-4-29  
J.E. ROHR



END AREA		CU. YDS	
CUT	FILL	CUT	FILL
5	6		
	17	28	
4	9		
	13	41	
3	13		
	11	43	
3	10		
	11	33	
3	8		
	32	24	
14	5		
	39	32	
7	12		
	41	37	
15	8		
	48	30	

30 25 20 15 10 5 0 5 10 15 20 25

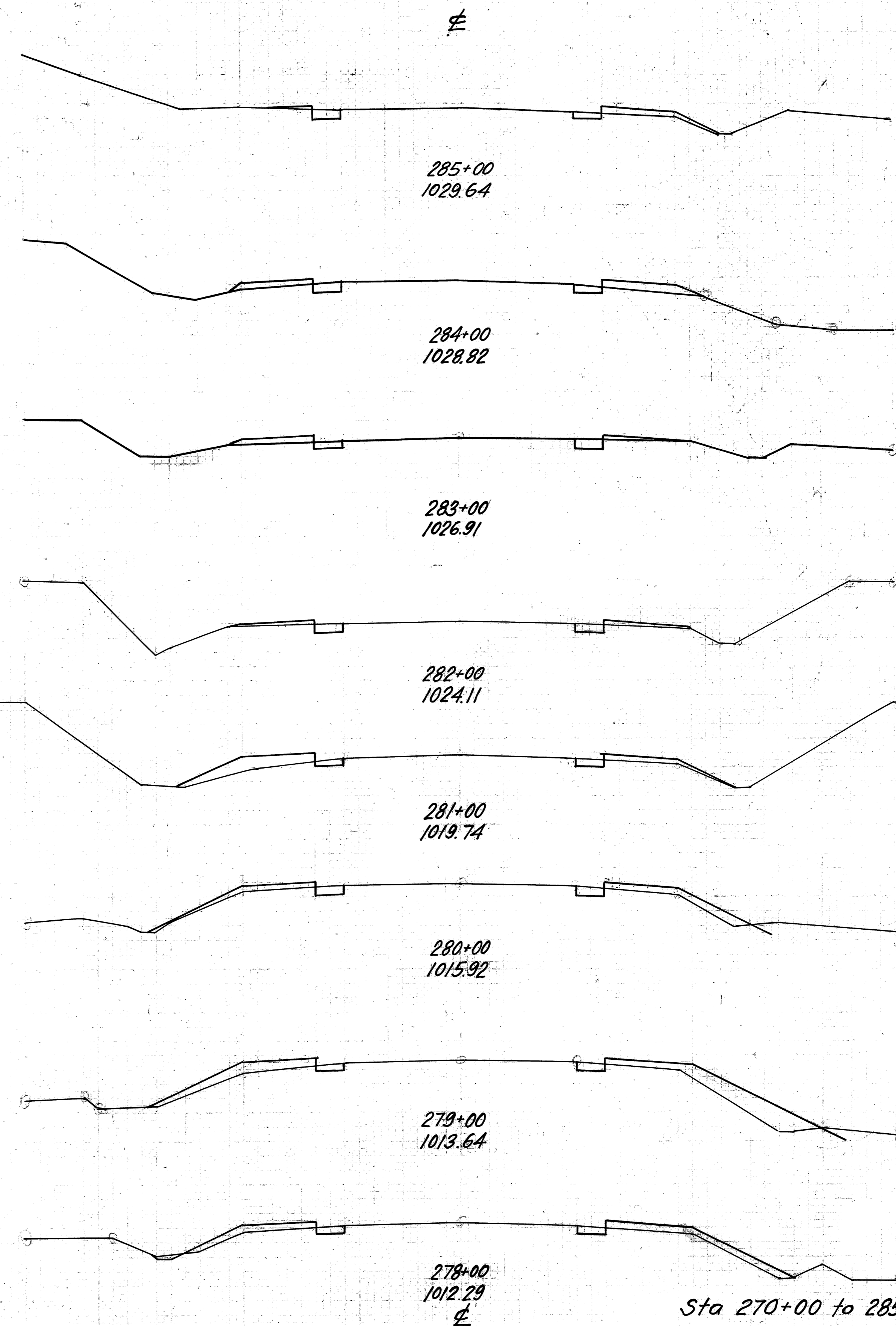
FED. AID DIST. NO.	STATE	FED. AID PROJECT	FISCAL YEAR
10	OHIO	390.F	1930

S.H. (I.C.H.) 540  
WAYNE

SEC. 1-J2  
COUNTY

31.3 CAI

18  
36



END AREA		CU. YDS	
CUT	FILL	CUT	FILL
3	4		
	11	20	
3	7		
	11	22	
3	5		
	11	18	
3	5		
	11	28	
3	10		
	15	37	
5	10		
	18	57	
5	21		
	17	59	
4	11		
	17	32	

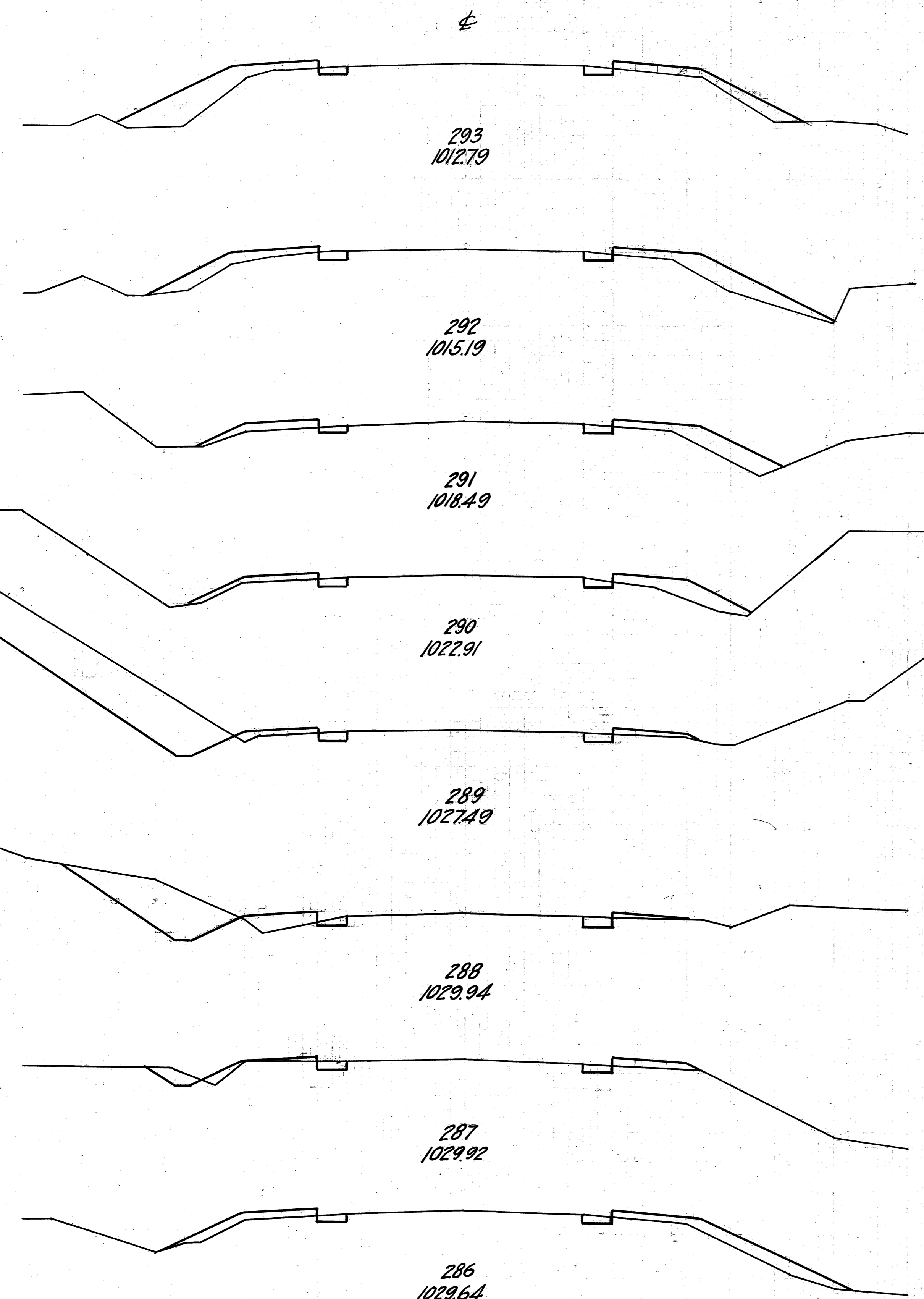
Excav. 6884 cu.yds.  
Emb. 5161 cu.yds.  
Emb.+35% 6967 cu.yds.  
Borrow 83 cu.yds.

Sta 270+00 to 285+00

30 25 20 15 10 5 0 5 10 15 20 25 30

GLASGOW  
GLASGOW  
2/11/28

J.F. Rohr  
2-4-29



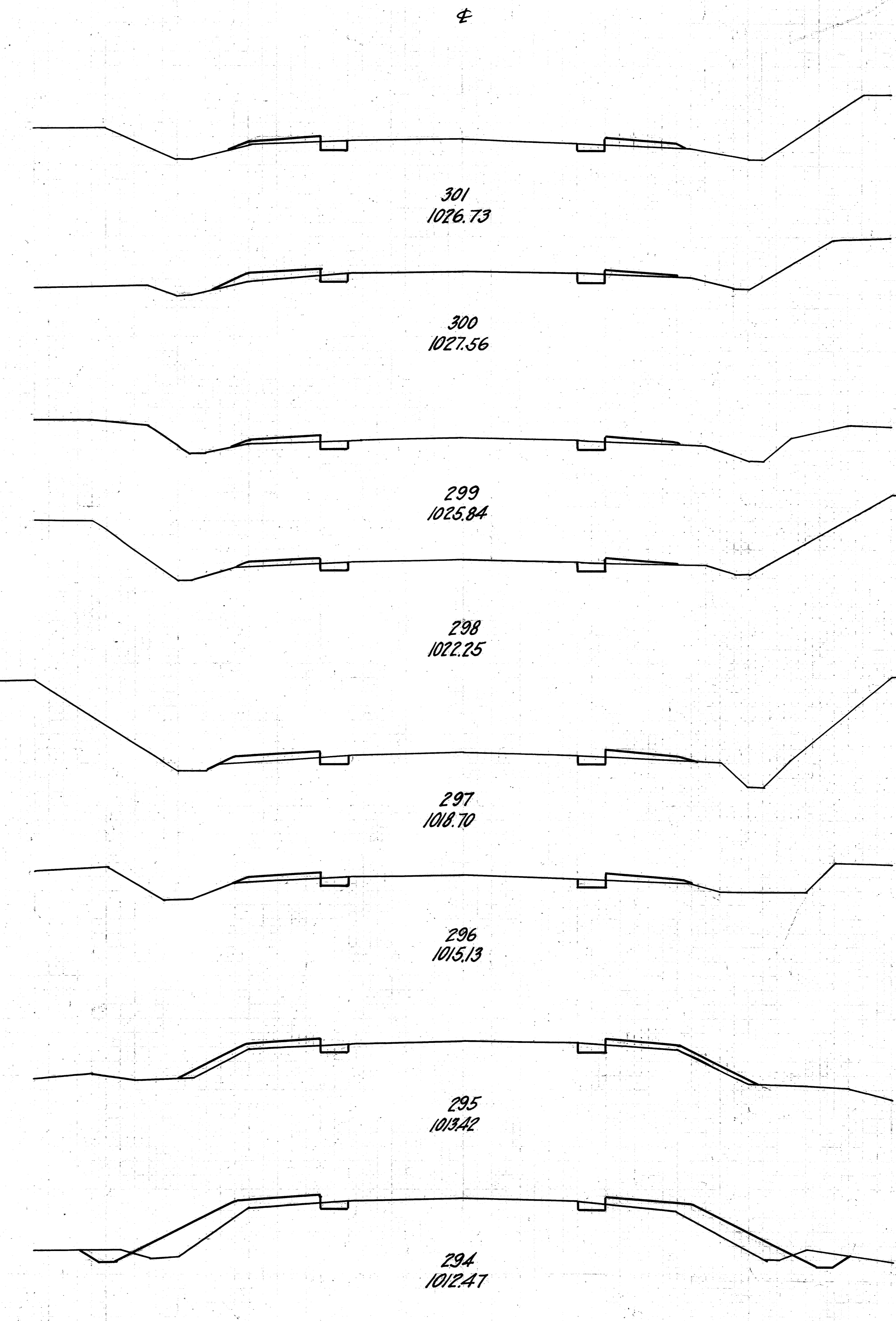
END AREA		CU. YDS.	
CUT	FILL	CUT	FILL
3	26		
		13	82
4	18		
		15	63
4	16		
		15	52
4	12		
		132	33
67	6		
		178	24
29	7		
		69	20
8	4		
		20	35
3	15		
		11	41

30 25 20 15 10 5 0 5 10 15 20 25

FED. AID DIST. NO.	STATE	FED. AID PROJECT	FISCAL YEAR
10	OHIO	390.F	1930

19  
36

S.H. (I.C.H.) 540 SEC. I-J  
WAYNE COUNTY



END AREA		CU. YDS.	
CUT	FILL	CUT	FILL
3	6		
		11	22
3	6		
		11	20
3	5		
		11	19
3	5		
		11	22
3	7		
		11	22
3	5		
		11	24
3	8		
		22	61
9	25		
		22	94

Sta. 286+00 to 301+00

S.H. (I.C.H.) 540 SEC. 1-J<sub>2</sub>  
WAYNE COUNTY

30 25 20 15 10 5 0 5 10 15 20 25 30

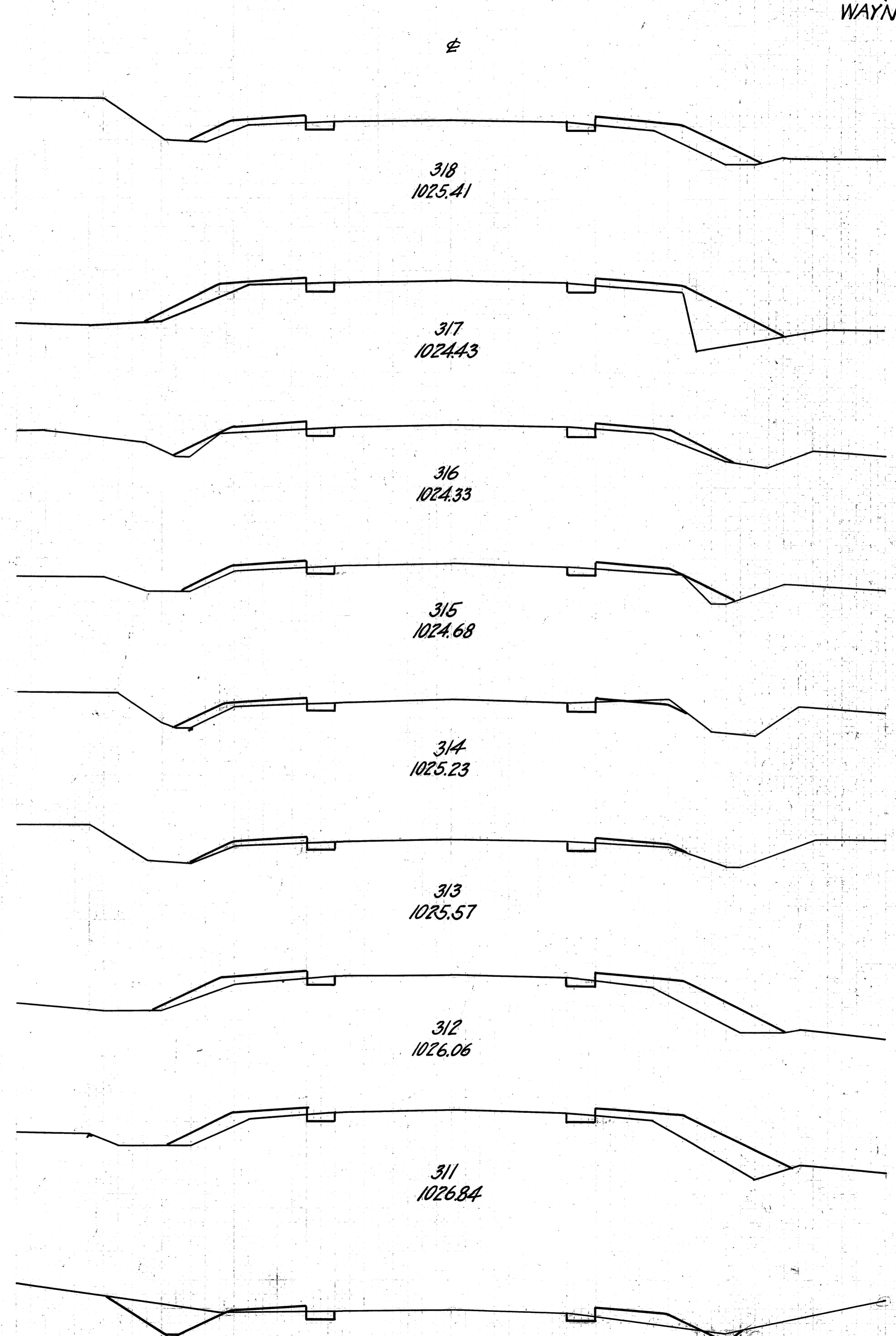
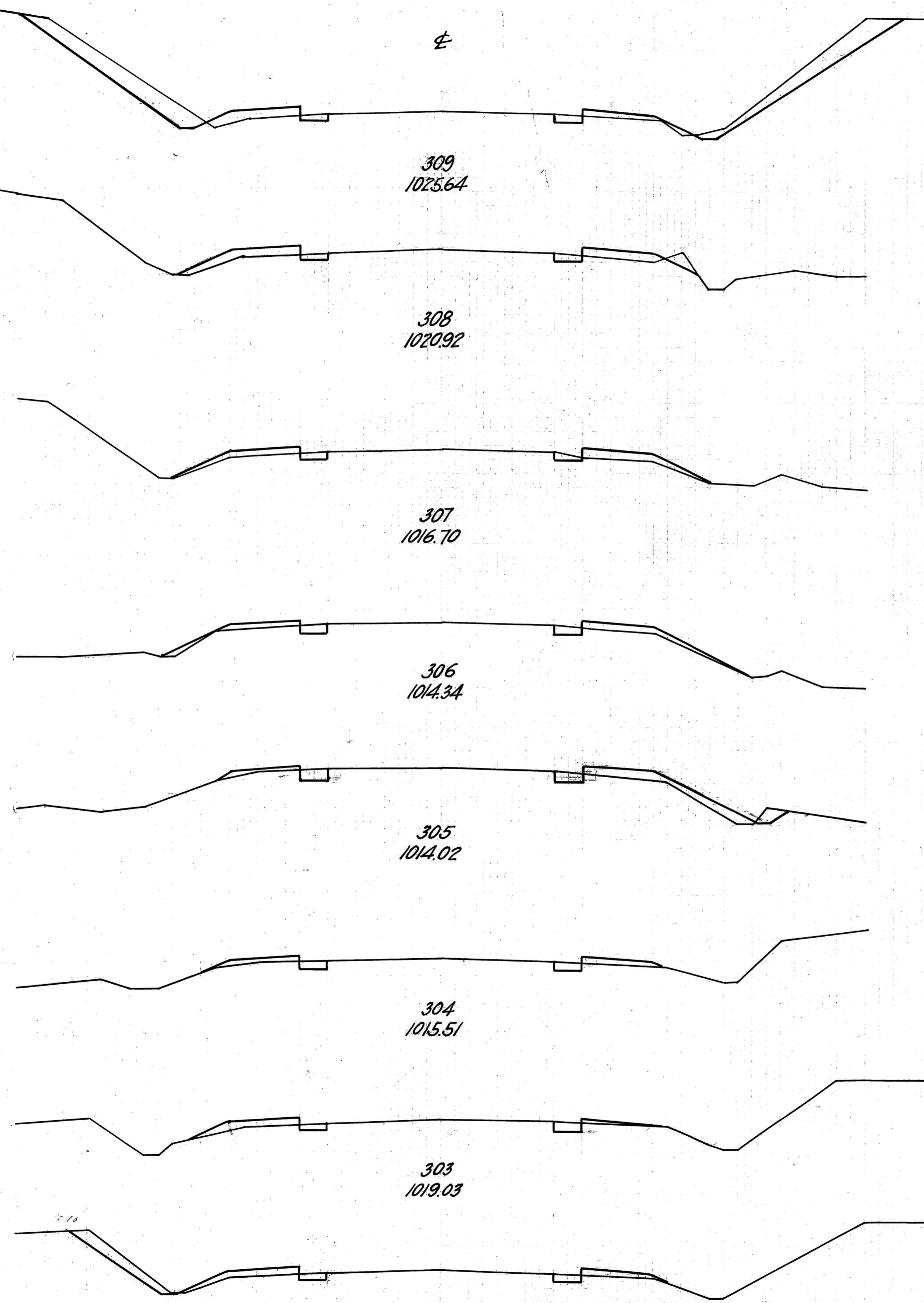
30 25 20 15 10 5 0 5 10 15 20 25

GLASSBORO  
HABER

J. E. Rohr 2-4-29

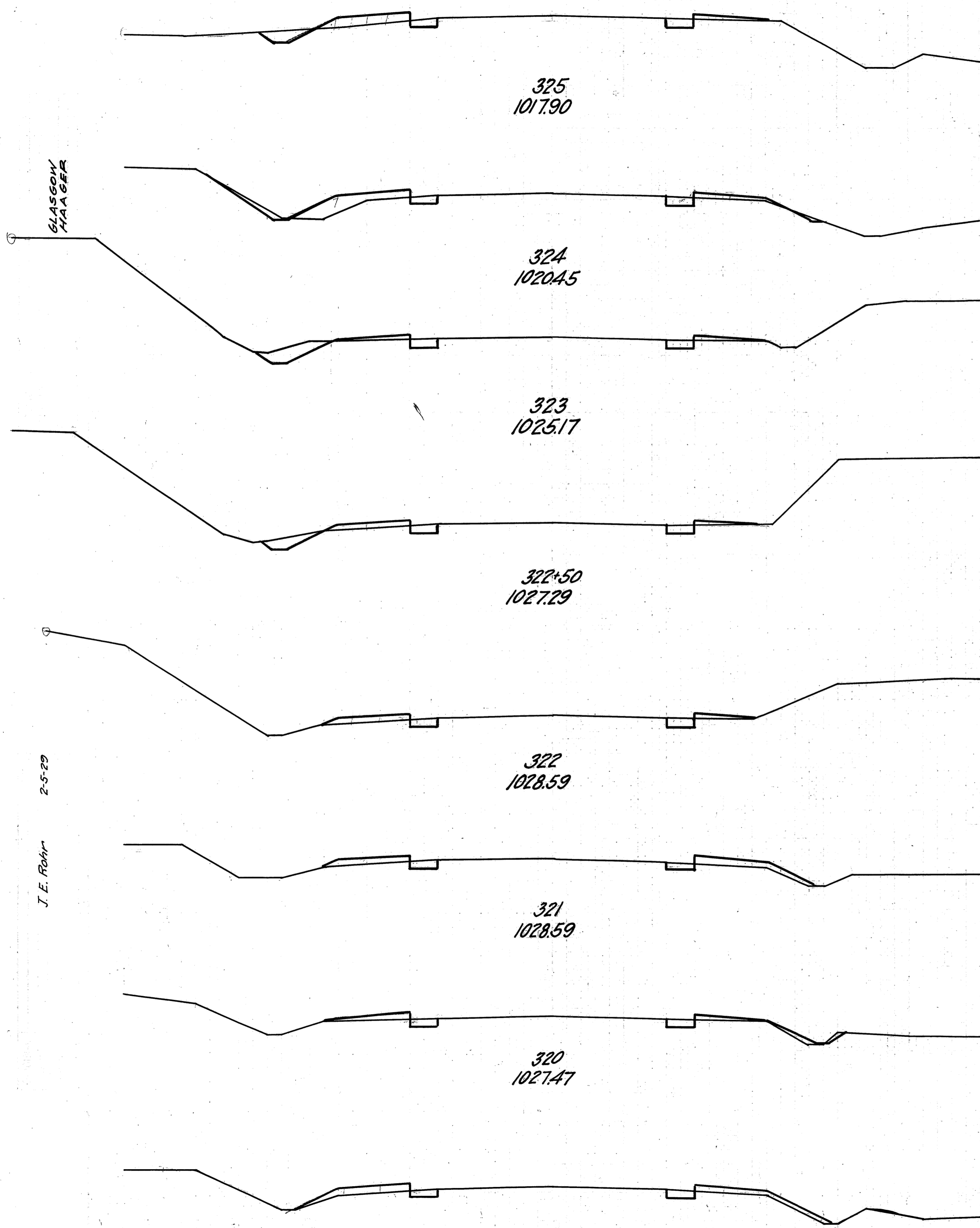
END AREA		CU. YDS.	
CUT	FILL	CUT	FILL
51	8		
	104	33	
5	10		
	15	35	
3	9		
	13	33	
4	9		
	20	41	
7	13		
	20	33	
4	5		
	15	19	
4	5		
	32	22	
13	7		
	30	24	

END AREA		CU. YDS.	
CUT	FILL	CUT	FILL
3	15		
	13	89	
4	33		
	13	82	
3	11		
	11	39	
3	10		
	13	32	
4	7		
	15	26	
4	7		
	15	52	
4	21		
	15	80	
4	22		
	35	54	
15	7		
	122	28	



Sta. 302+00 to 318+00

30 25 20 15 10 5 0 5 10 15 20 25 30



GLASGOW  
HAGER

J. E. ROHR  
2-5-29

325  
1017.90

324  
1020.45

323  
1025.17

322.50  
1027.29

322  
1028.59

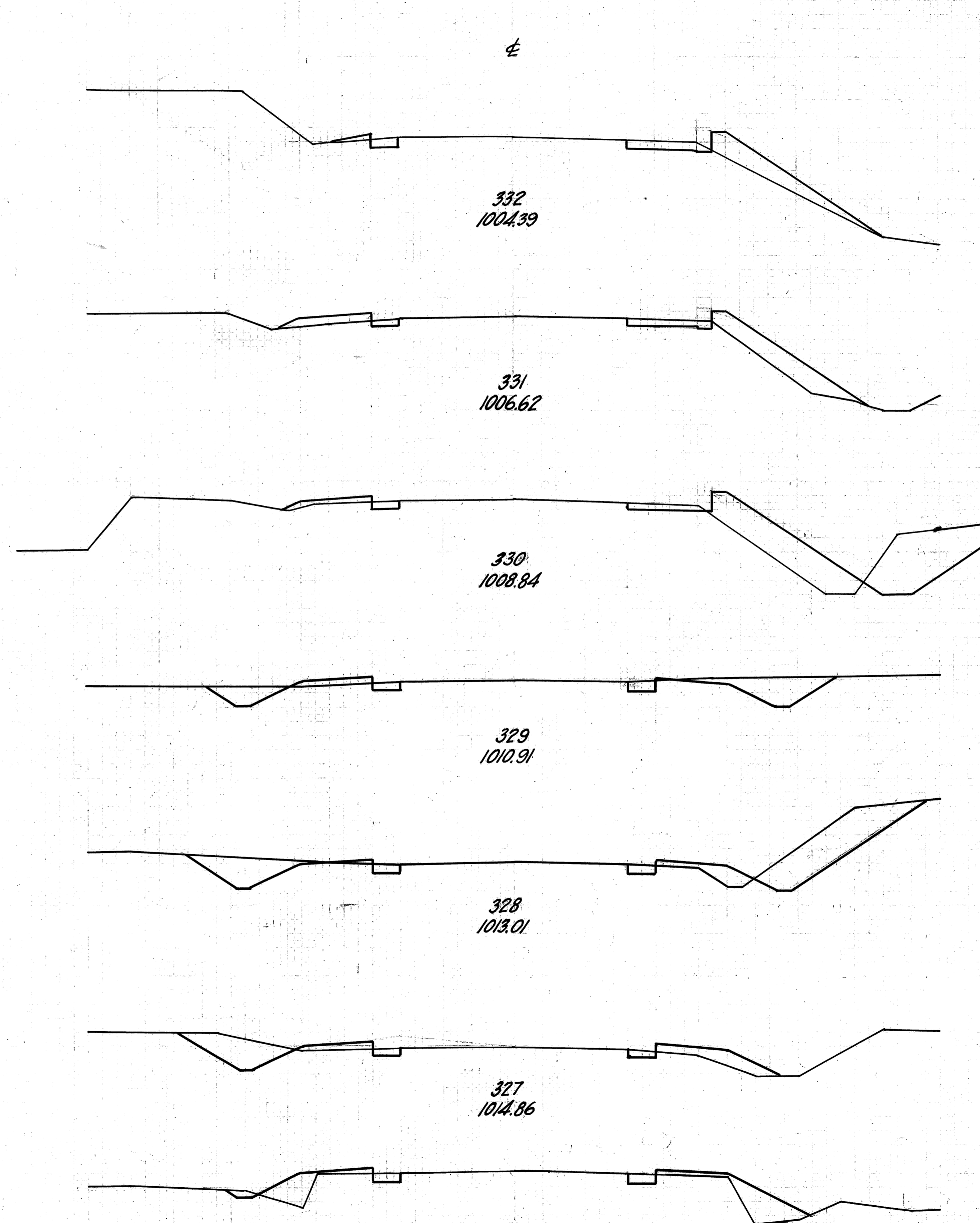
321  
1028.59

320  
1027.47

319  
1026.46

END AREA		CU. YDS.	
CUT	FILL	CUT	FILL
7	6		
		26	30
7	10		
		30	24
9	3		
		15	5
7	3		
		9	6
3	4		
		11	19
3	6		
		13	19
4	4		
		13	20
3	7		
		11	41

30 25 20 15 10 5 0 5 10 15 20 25



332  
1004.39

331  
1006.62

330  
1008.84

329  
1010.91

328  
1013.01

327  
1014.86

326  
1016.21

FED. AID DIST. NO.	STATE	FED. AID PROJECT	FISCAL YEAR	21 36
10	OHIO	390 E	1930	

S.H. (I.C.H.) 540  
WAYNE COUNTY

END AREA		CU. YDS.	
CUT	FILL	CUT	FILL
5	12		
		19	57
5	19		
		78	130
37	51		
		102	102
18	4		
		98	20
35	7		
		89	28
13	8		
		33	44
5	16		
		22	41

Sta. 319+00 to 332+00

30 25 20 15 10 5 0 5 10 15 20 25 30

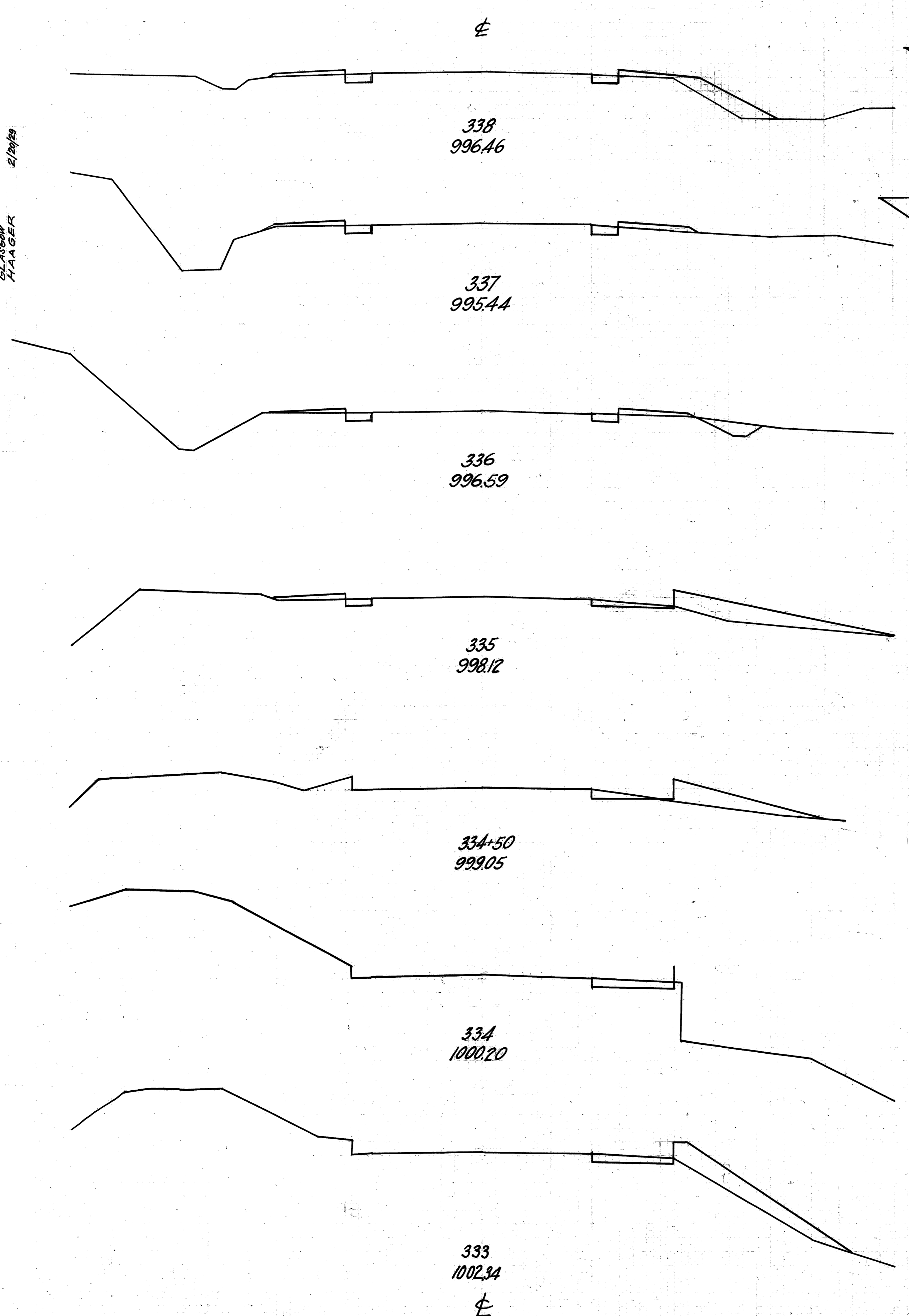
30 25 20 15 10 5 0 5 10 15 20 25

FED. AID DIST. NO.	STATE	FED. AID PROJECT	FISCAL YEAR	22 36
10	OHIO	390E	1930	

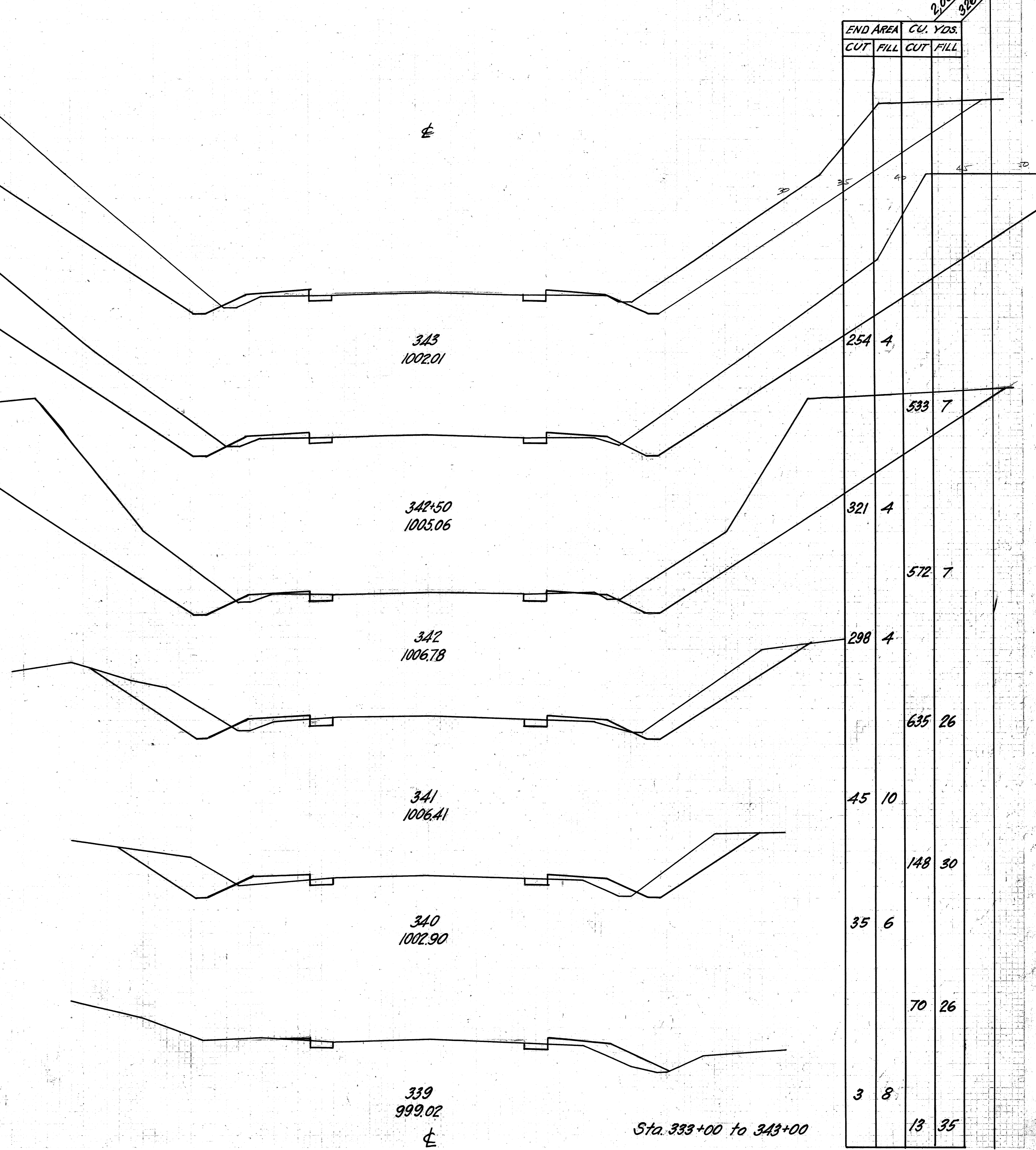
S.H. (I.C.H.) 540  
WAYNE COUNTY

GLASBEY FLAGGER 2/24/30

J. E. ARHR 2-5-29



END AREA		CU. YDS.	
CUT	FILL	CUT	FILL
4	11		
		15	28
4	4		
		19	13
6	3		
		19	35
4	16		
		6	24
2	10		
		5	9
3	0		
		11	32
3	17		
		15	54



END AREA		CU. YDS.	
CUT	FILL	CUT	FILL
		254	4
		533	7
		321	4
		572	7
		298	4
		635	26
		45	10
		148	30
		35	6
		70	26
3	8		
		13	35

Sta. 333+00 to 343+00

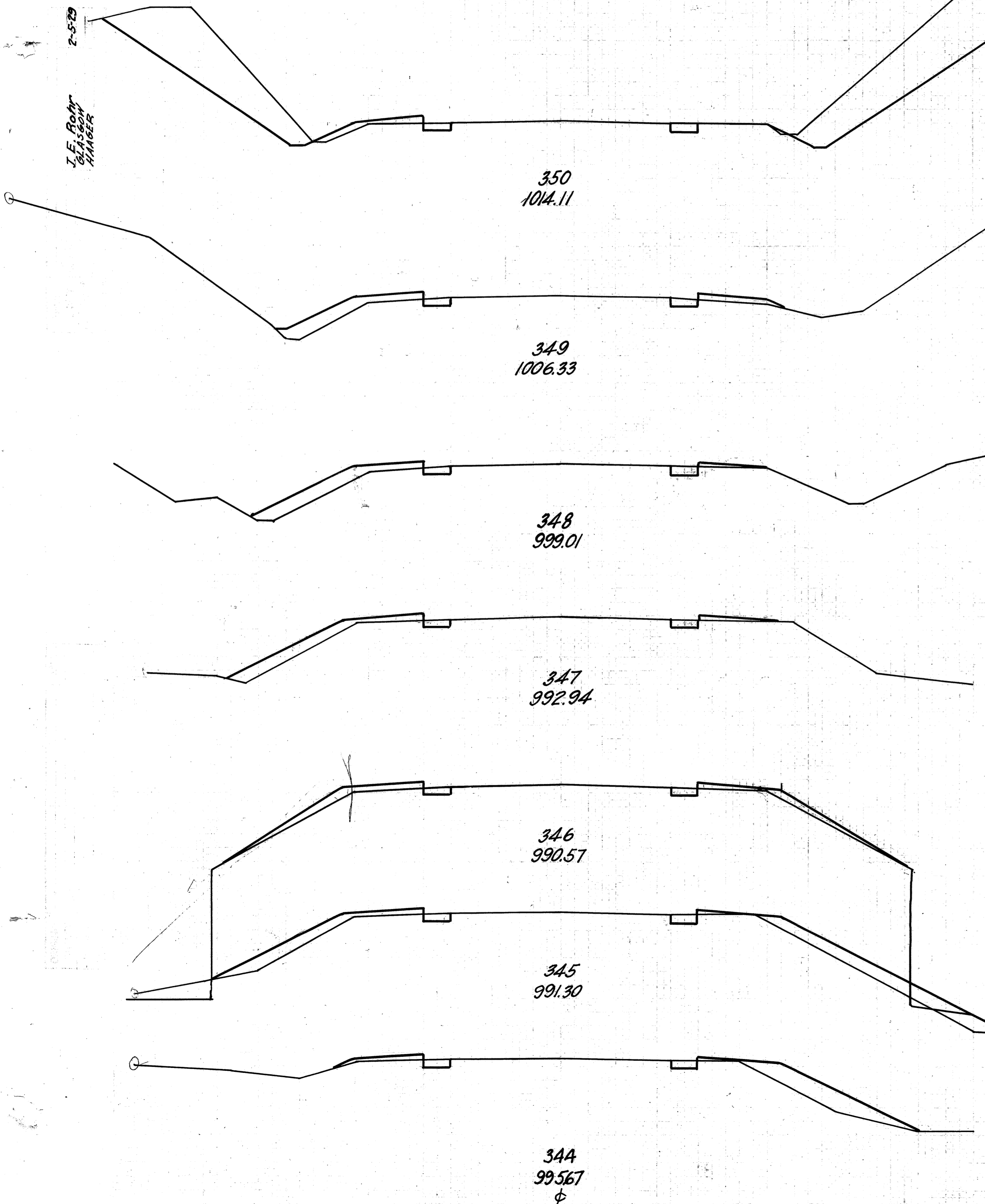
2,061  
326

30 25 20 15 10 5 0 5 10 15 20 25 30

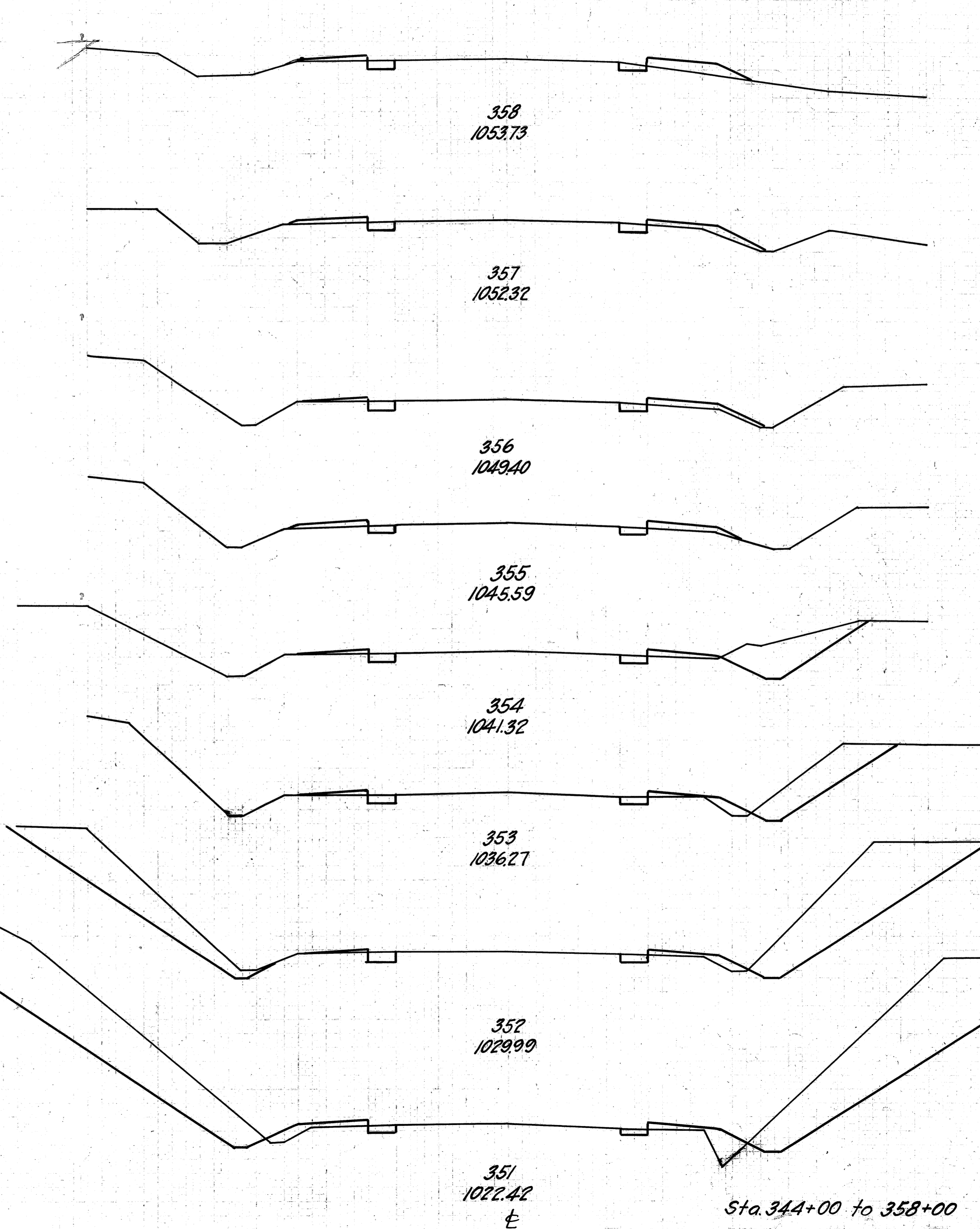
30 25 20 15 10 5 0 5 10 15 20 25

FED. AID DIST. NO.	STATE	FED. AID PROJECT	FISCAL YEAR	23 36
10	OHIO	390E	1930	

S.H. (I.C.H.) 540 SEC. 1-J<sub>2</sub>  
WAYNE COUNTY



END AREA		END AREA	
CUT	FILL	CUT	FILL
167	4		
317	30		
4	12		
15	37		
4	8		
15	35		
4	11		
15	46		
4	14		
15	78		
4	28		
13	78		
3	14		
476	33		

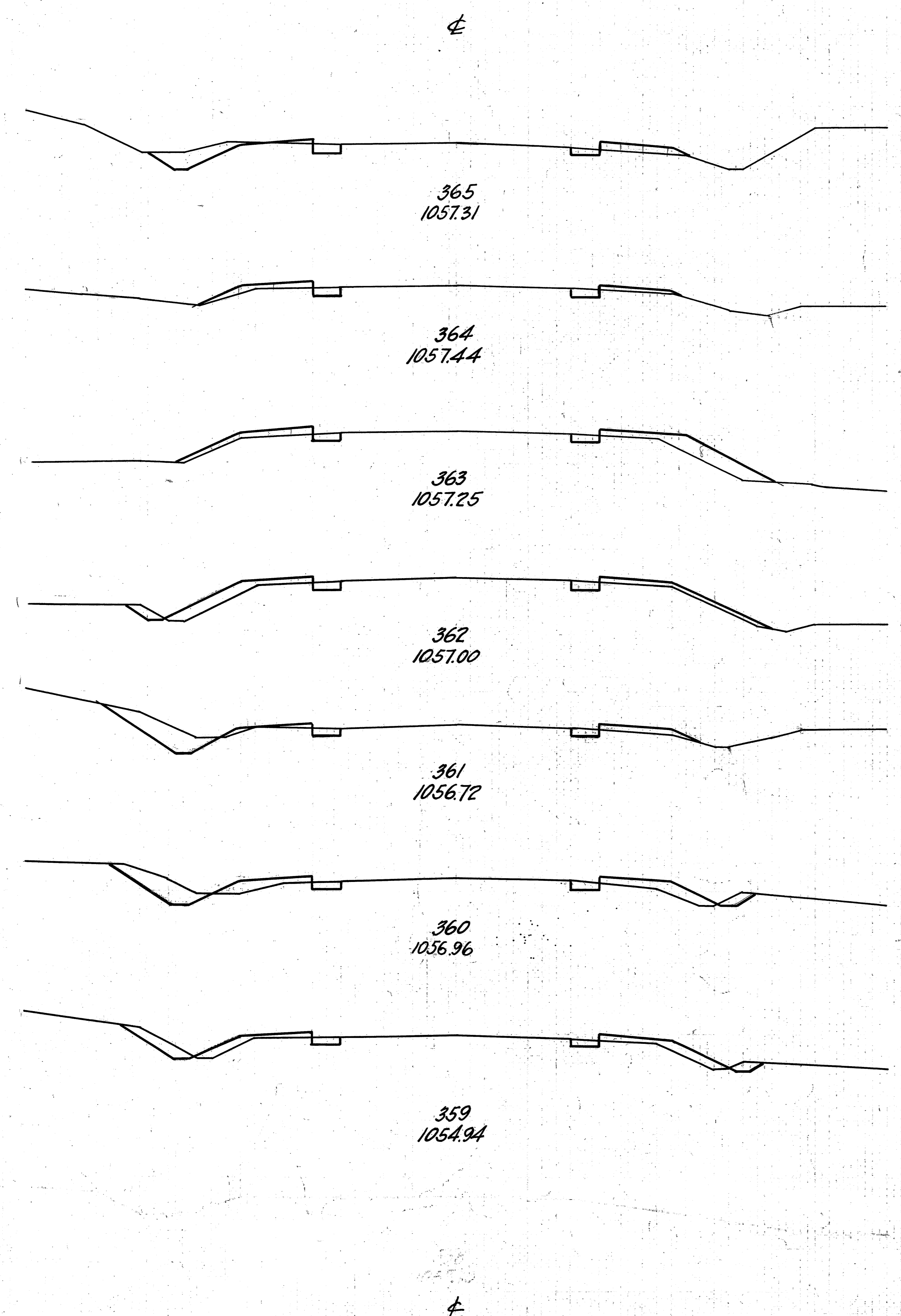


END AREA		CU. YDS.	
CUT	FILL	CUT	FILL
3	8		
		11	28
3	7		
		11	22
3	5		
		13	22
4	7		
		24	19
19	3		
		68	15
18	5		
		219	17
100	4		
		545	28
194	11	1475	365
		609	28

Sta. 344+00 to 358+00

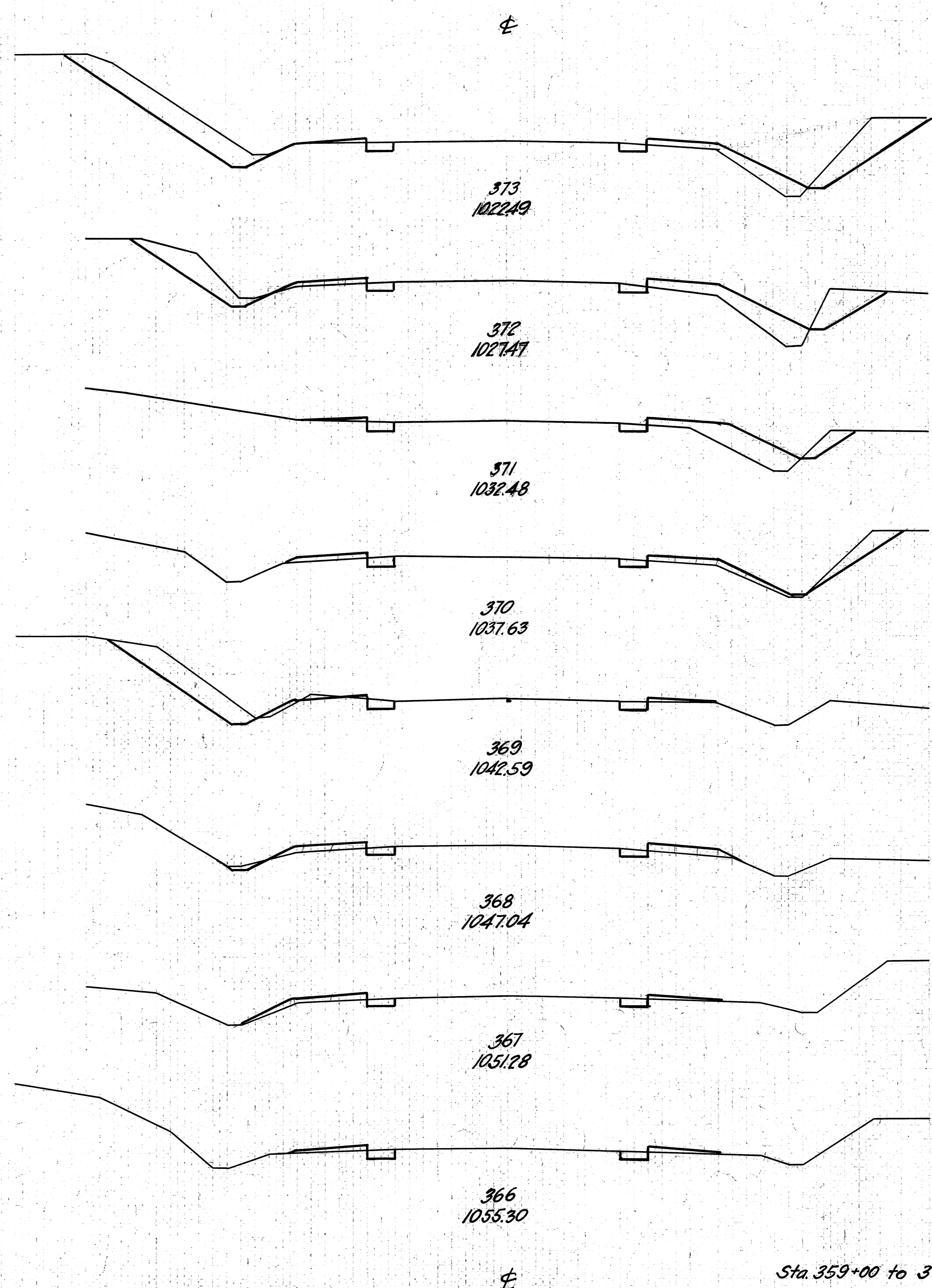
J. E. Ryan  
 CLAYTON  
 NUMBER

30 25 20 15 10 5 0 5 10 15 20 25 30



END AREA		CU. YDS.	
CUT	FILL	CUT	FILL
8	4		
		20	17
3	5		
		11	32
3	12		
		17	39
6	9		
		28	24
9	4		
		33	22
9	8		
		30	30
7	8		
		19	30

30 25 20 15 10 5 0 5 10 15 20 25



END AREA		CU. YDS.	
CUT	FILL	CUT	FILL
34	11		
		102	50
23	16		
		57	54
8	13		
		30	39
8	8		
		46	19
17	2		
		39	17
4	7		
		13	20
3	4		
		11	13
3	3		
		20	13

FED. AID DIST. NO.	STATE	FED. AID PROJECT	FISCAL YEAR
10	OHIO	390 E	1930

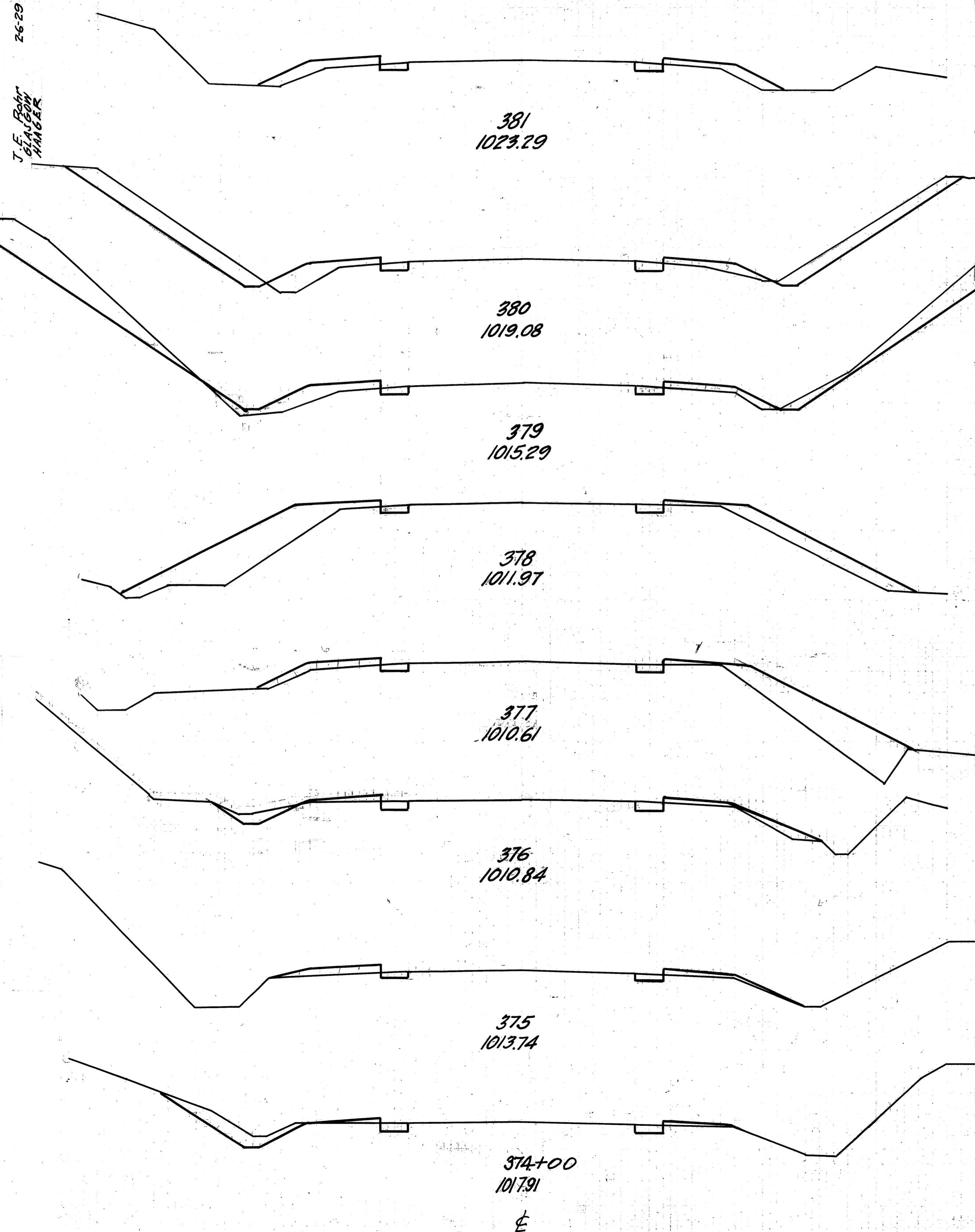
S.H. (I.C.H.) 540 SEC. 1-J<sub>2</sub>  
 WAYNE COUNTY

24  
36

Sta. 359+00 to 373+00

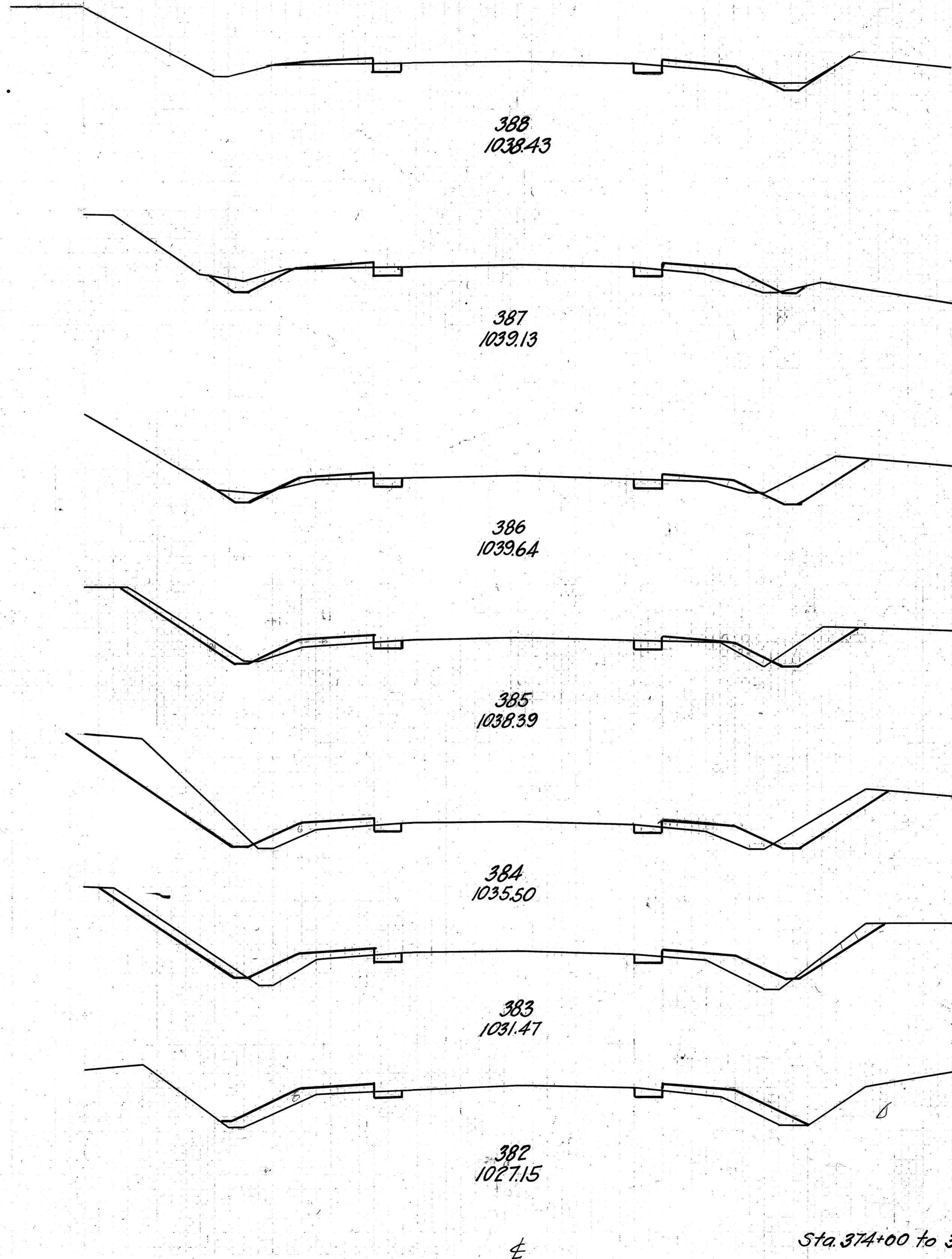


30 25 20 15 10 5 0 5 10 15 20 25 30



END AREA		CU. YDS.	
CUT	FILL	CUT	FILL
4	10		
69	37		
33	10		
141	43		
43	13		
87	100		
4	41		
13	98		
3	32		
17	74		
6	8		
17	30		
3	8		
24	20		
10	3		
82	26		

30 25 20 15 10 5 0 5 10 15 20 25



END AREA		CU. YDS.	
CUT	FILL	CUT	FILL
8	7		
		32	26
9	7		
		46	26
16	7		
		59	37
16	13		
		96	44
36	11		
		96	50
17	16		
		39	59
4	16		
		15	48

FED. AID DIST. NO.	STATE	FED. AID PROJECT	FISCAL YEAR
10	OHIO	390F	1930

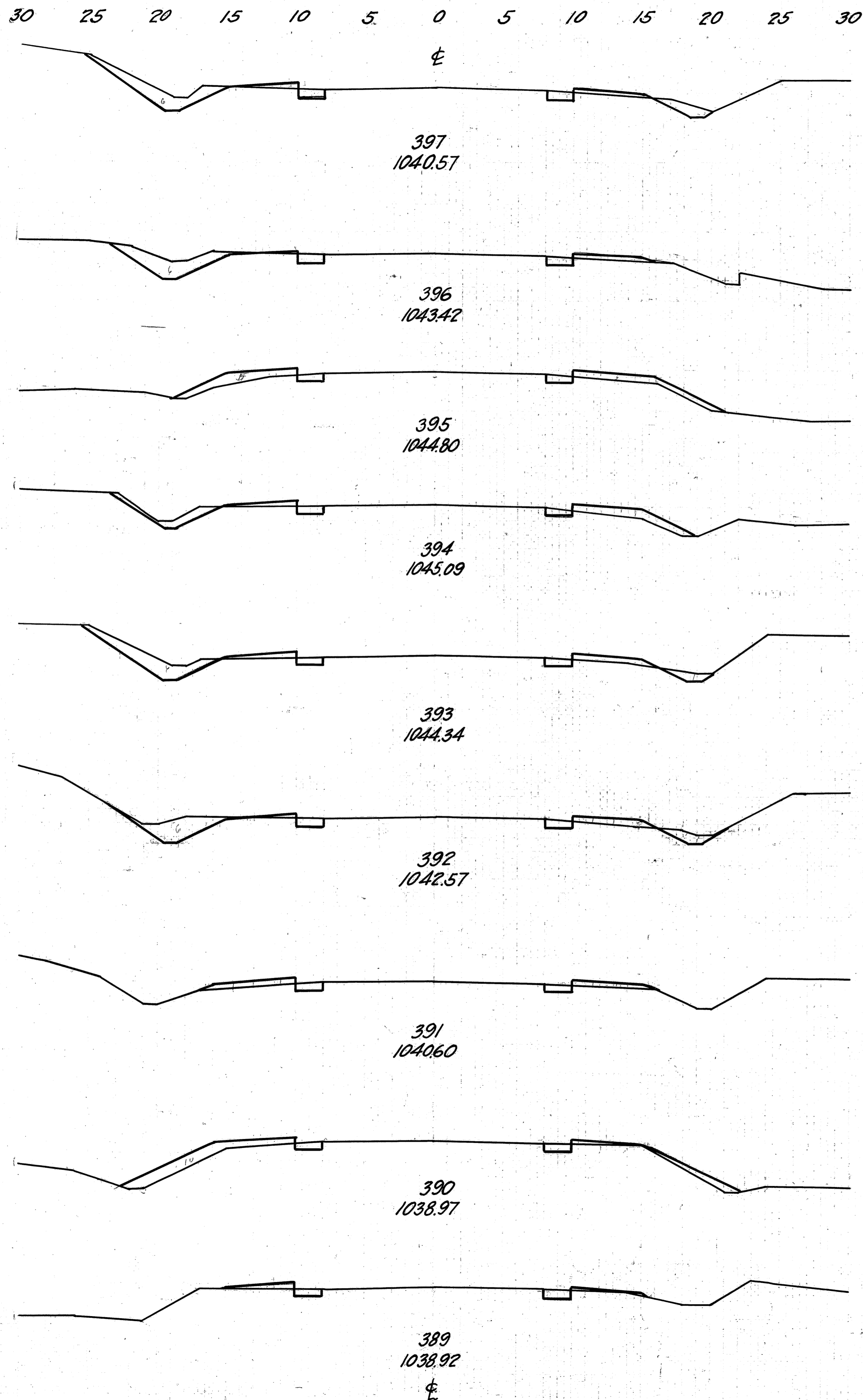
S.H. (I.C.H.) 540  
WAYNE COUNTY

SEC. 1-J<sub>2</sub>  
COUNTY

25  
36

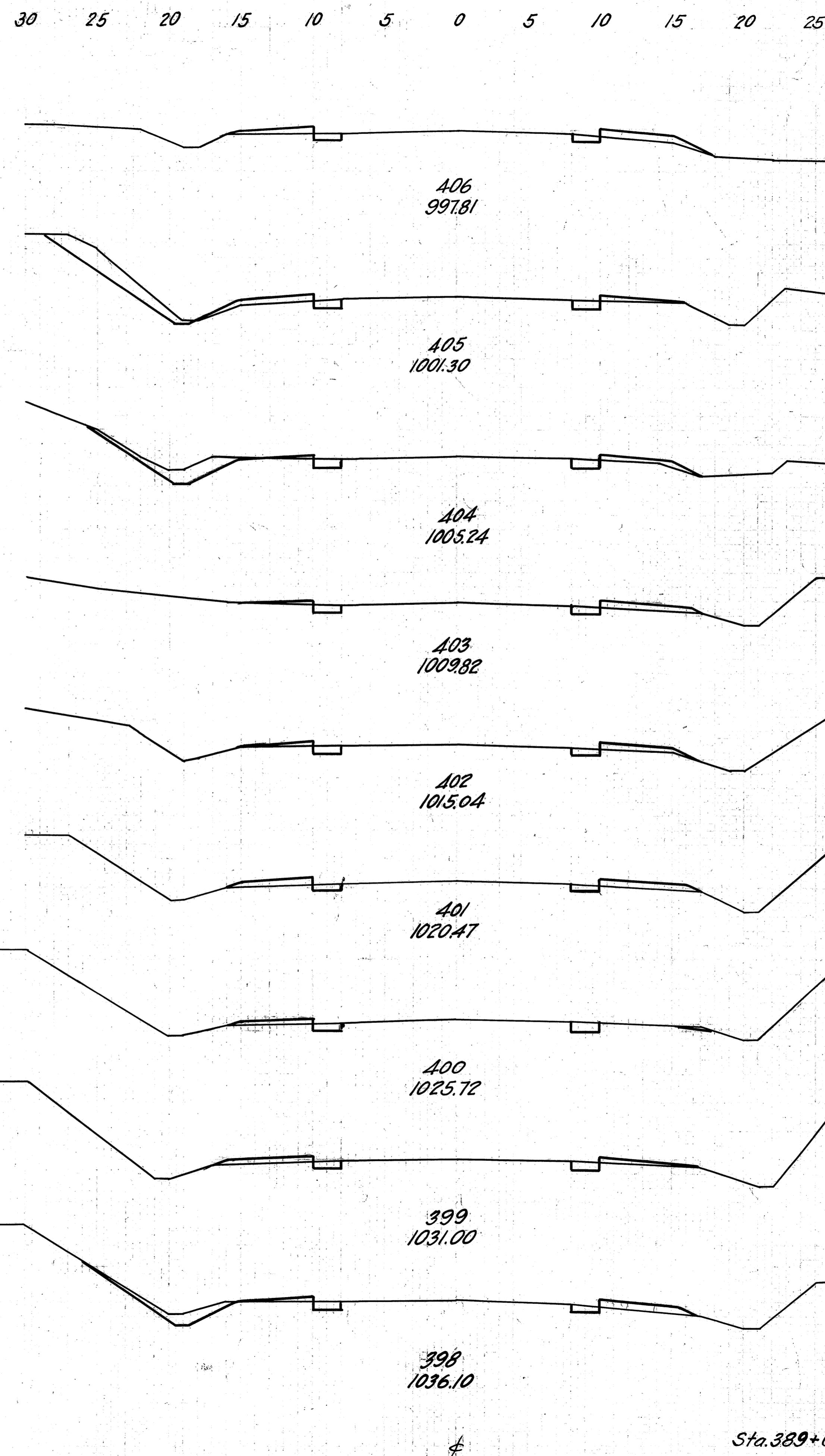
Sta. 374+00 to 388+00

J. F. Rohr  
 2-6-29  
 G. H. Brown  
 2-20-29



END AREA		CU. YDS.	
CUT	FILL	CUT	FILL
12	3		
		39	11
9	3		
		22	24
3	10		
		19	32
7	7		
		33	22
11	5		
		43	19
12	5		
		28	20
3	6		
		11	37
3	14		
		11	32
3	3		
		20	19

Excav. 3394 cu. yds.  
 Emb. 2506 cu. yds.  
 Emb. + 35% 3383 cu. yds.  
 Waste 11 cu. yds.



FED. AID DIST. NO.	STATE	FED. AID PROTECT.	FISCAL YEAR
10	OHIO	390 F	1930

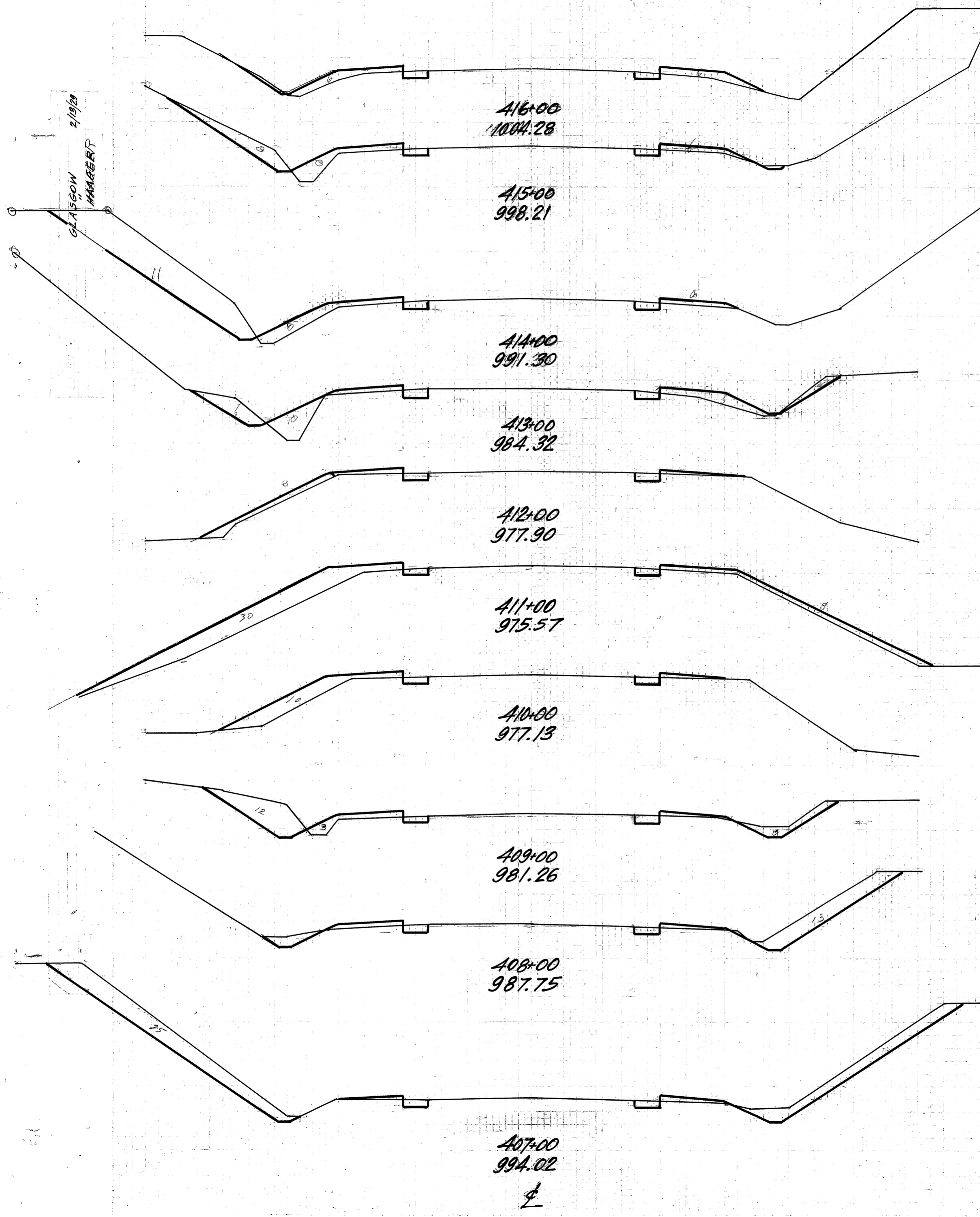
26  
36

S.H. (I.C.H.) 540 SEC. 1-J<sub>2</sub>  
 WAYNE COUNTY

END AREA		CU. YDS.	
CUT	FILL	CUT	FILL
4	8		
		24	24
9	5		
		30	15
7	3		
		20	15
4	5		
		13	17
3	4		
		11	19
3	6		
		11	15
3	2		
		11	13
3	5		
		17	17
6	4		
		33	13

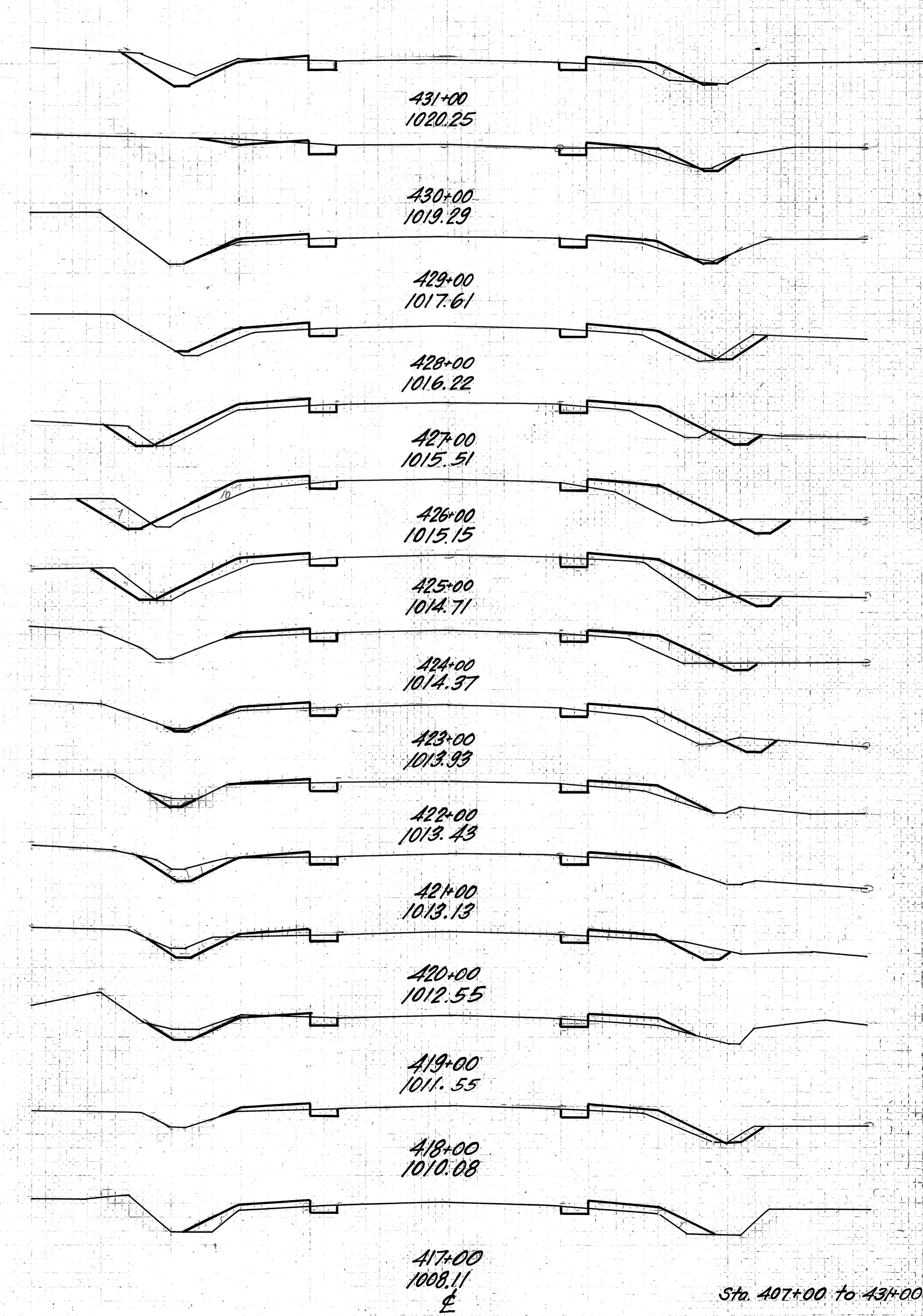
Sta. 389+00 to 406+00

30 25 20 15 10 5 0 5 10 15 20 25 30



END AREAS		CU. YDS	
CUT	FILL	CUT	FILL
5	12		
		32	46
12	13		
		48	46
14	12		
		41	50
8	15		
		22	44
4	9		
		15	87
4	38		
		15	91
4	11		
		43	30
19	5		
		70	17
19	4		
		117	15
44	4		
		89	22

30 25 20 15 10 5 0 5 10 15 20



END AREAS		CU. YDS	
CUT	FILL	CUT	FILL
8	6		
		24	20
5	5		
		17	24
4	8		
		20	44
7	16		
		32	61
10	17	198	854
		43	68
13	20		
		44	63
9	14		
		26	44
5	10		
		20	37
6	10		
		24	28
7	5		
		26	15
7	3		
		32	17
10	6		
		31	22
7	6		
		24	32
6	11		
		19	39
4	10		
		17	41

FED. AID DIST. NO. 10 STATE OHIO FED. AID PROJECT YEAR 390 F 1930 FISCAL YEAR 1930

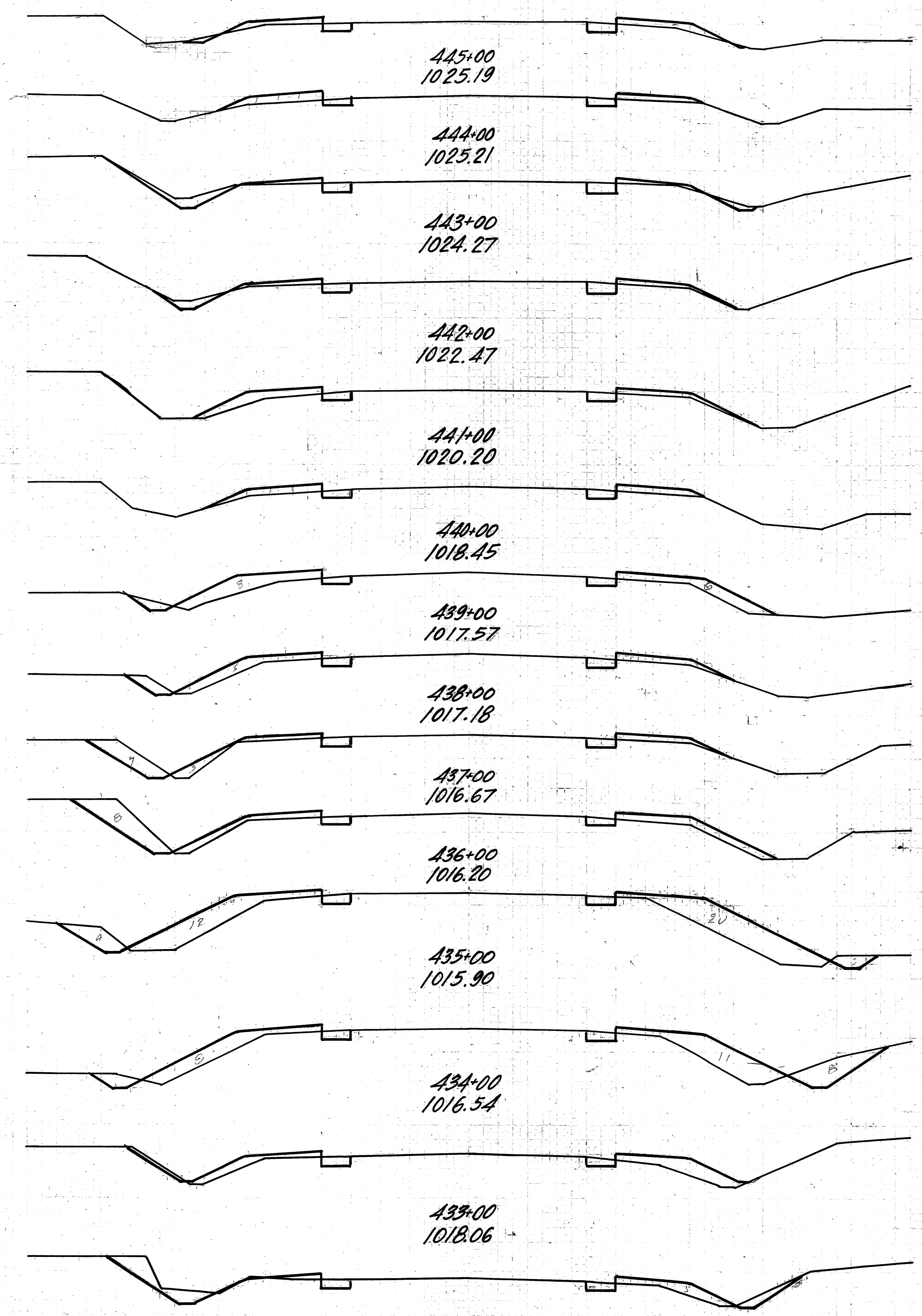
S.H. (I.C.H.) 540 SEC. 1-J2 WAYNE COUNTY

27  
36

Sta. 407+00 to 431+00

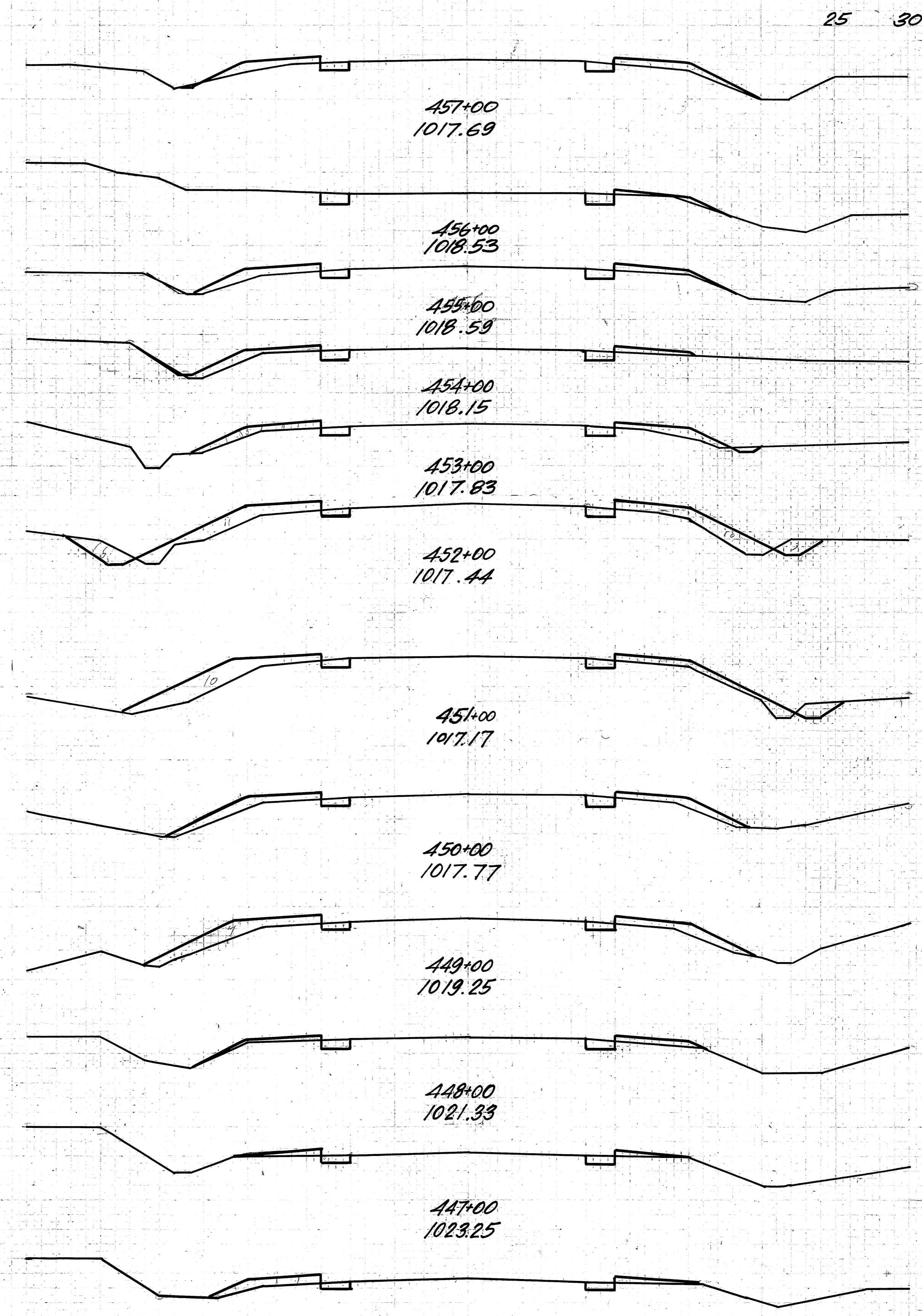
417+00  
1008.11  
±

30 25 20 15 10 5 0 5 10 15 20 25 30



END AREAS		CU. YDS.	
CUT	FILL	CUT	FILL
4	6		
		15	22
4	6		
		22	17
8	3		
		24	19
		5	7
		17	28
4	8		
		13	27
		3	7
		17	39
6	14		
		22	43
6	9		
		30	32
10	8		
		41	33
12	10		
		41	78
10	32		
		43	94
		13	19
		32	54
4	10		
		24	30
9	6		
		32	22

30 25 20 15 10 5 0 5 10 15 20

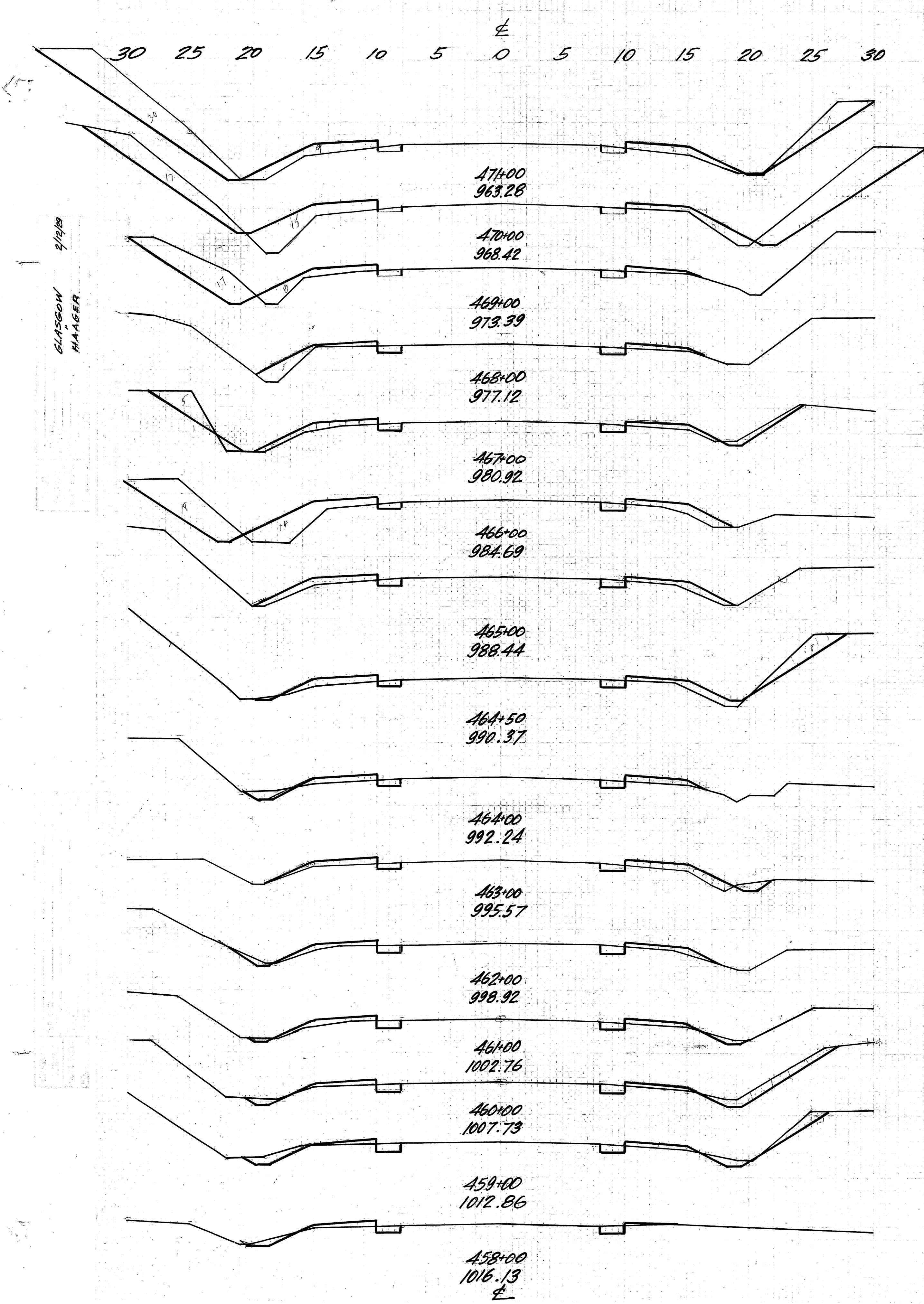


END AREAS		CU. YDS.	
CUT	FILL	CUT	FILL
4	9		
		15	20
4	2		
		15	22
4	10		
		15	32
4	7		
		15	32
4	10		
		28	57
11	21		
		33	67
7	15		
		20	50
4	12		
		13	48
3	14		
		11	37
3	6		
		11	20
3	4		
		11	20
3	7		
		13	24

FED. AID DIST. NO. 10 STATE OHIO FED. AID PROJECT 390 F FISCAL YEAR 1930  
 S.H.(I.C.H.) 540 SEC. 1-J2 WAYNE COUNTY  
 25 30  
 5/19/30

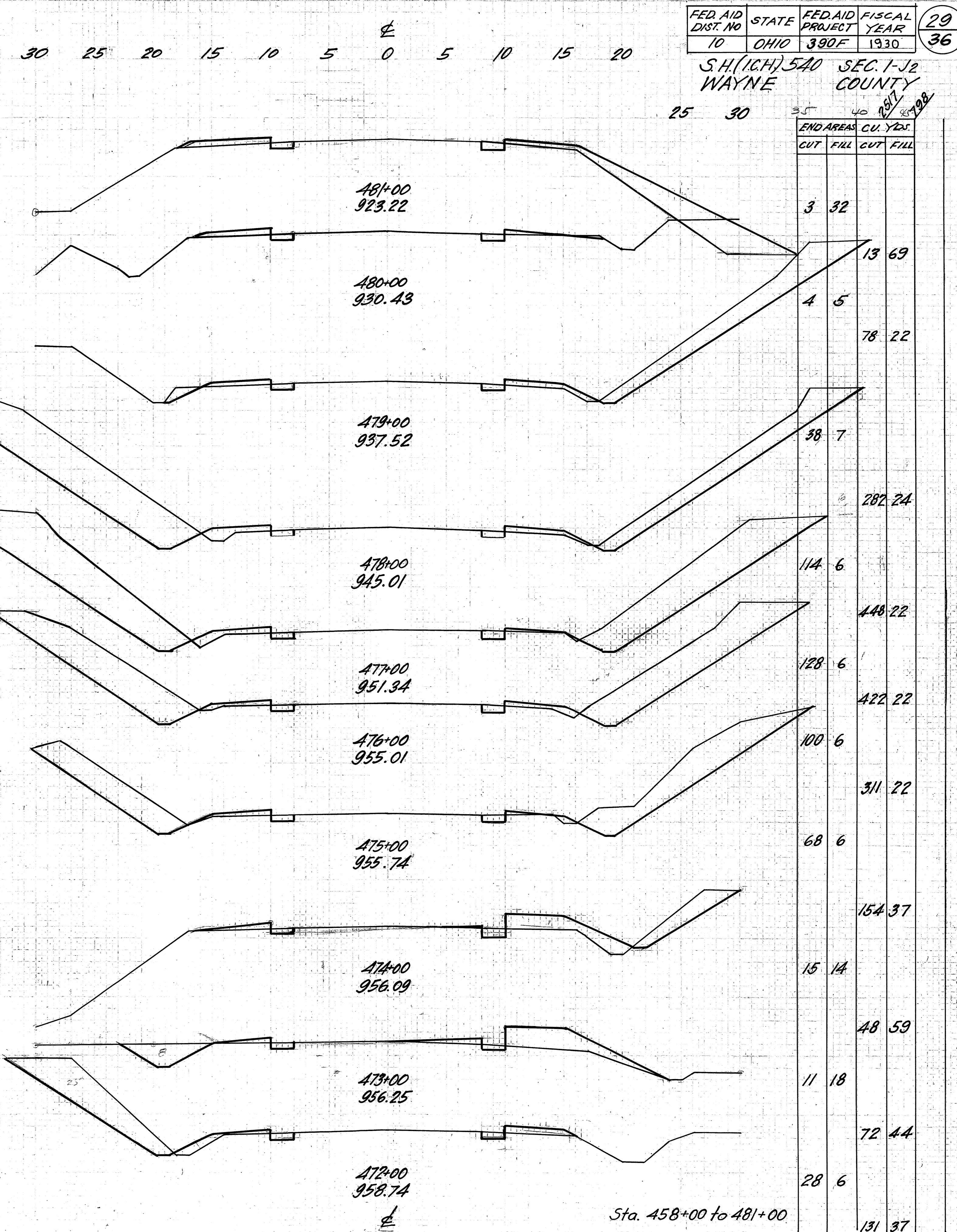
GLASSBORO HAASLER 2/19/30

Sta. 432+00 to 457+00



END AREAS		CU. YDS.	
CUT	FILL	CUT	FILL
43	14		
		139	63
33	20		
		98	57
20	11		
		44	35
4	8		
		13	30
3	8		
		26	39
11	13		
		39	30
10	3		
		19	12
11	10		
		16	16
6	7		
		20	33
5	11		
		19	33
5	7		
		19	24
5	6		
		30	20
11	5		
		35	17
8	4		
		24	11
5	2		
		17	20

Excav 4197 cu yds.  
Emb. 3149 cu yds.  
Emb. +35% 4251 cu yds.  
Borrow 54 cu yds.



END AREAS		CU. YDS.	
CUT	FILL	CUT	FILL
3	32		
		13	69
4	5		
		78	22
38	7		
		282	24
114	6		
		448	22
128	6		
		422	22
100	6		
		311	22
68	6		
		154	37
15	14		
		48	59
11	18		
		72	44
28	6		
		131	37

Sta. 458+00 to 481+00

FED. AID DIST. NO.	STATE	FED. AID PROJECT	FISCAL YEAR
10	OHIO	390F	1930

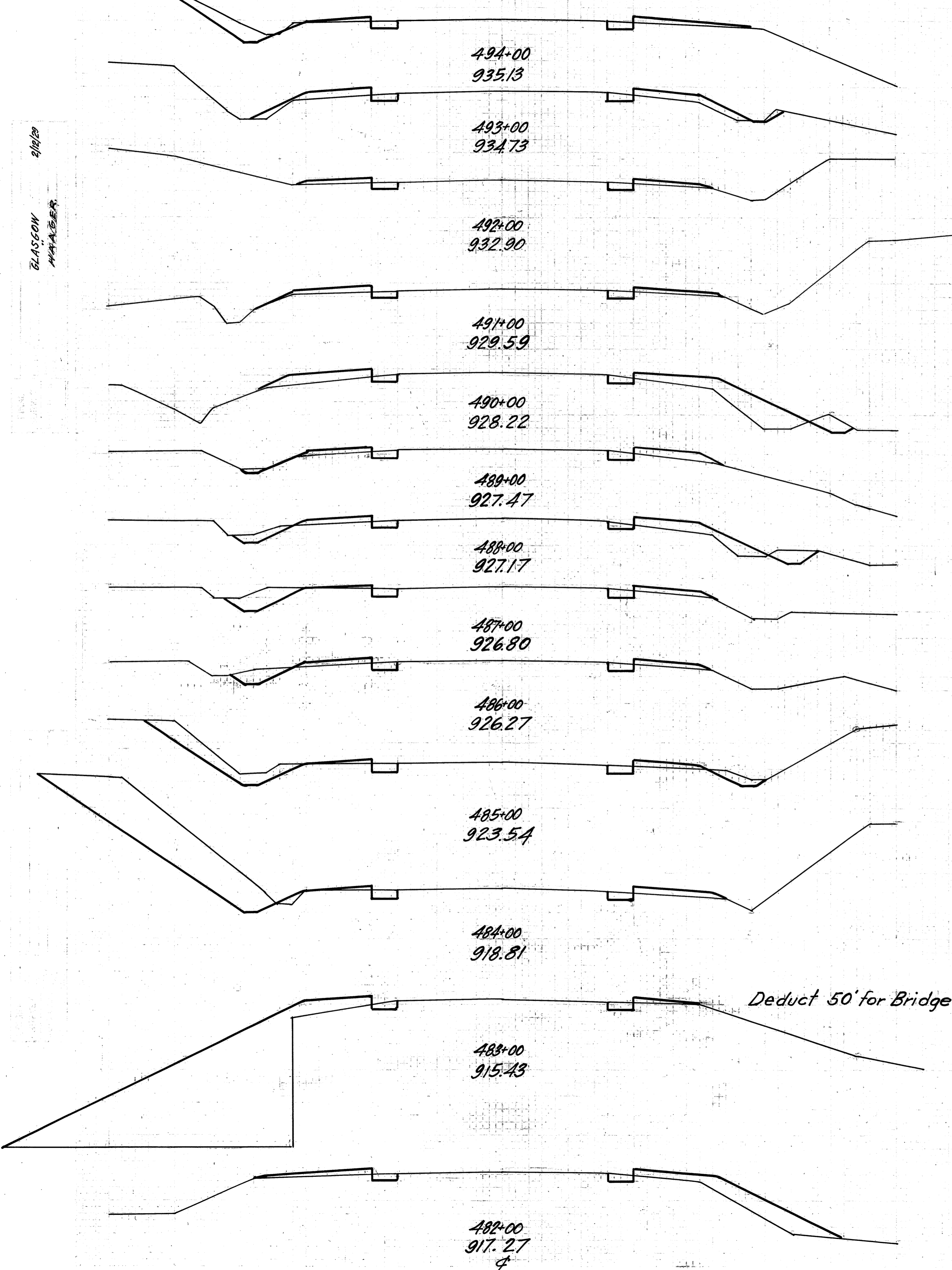
30  
36

S.H.(I.C.H.) 540  
WAYNE COUNTY

104  
1235

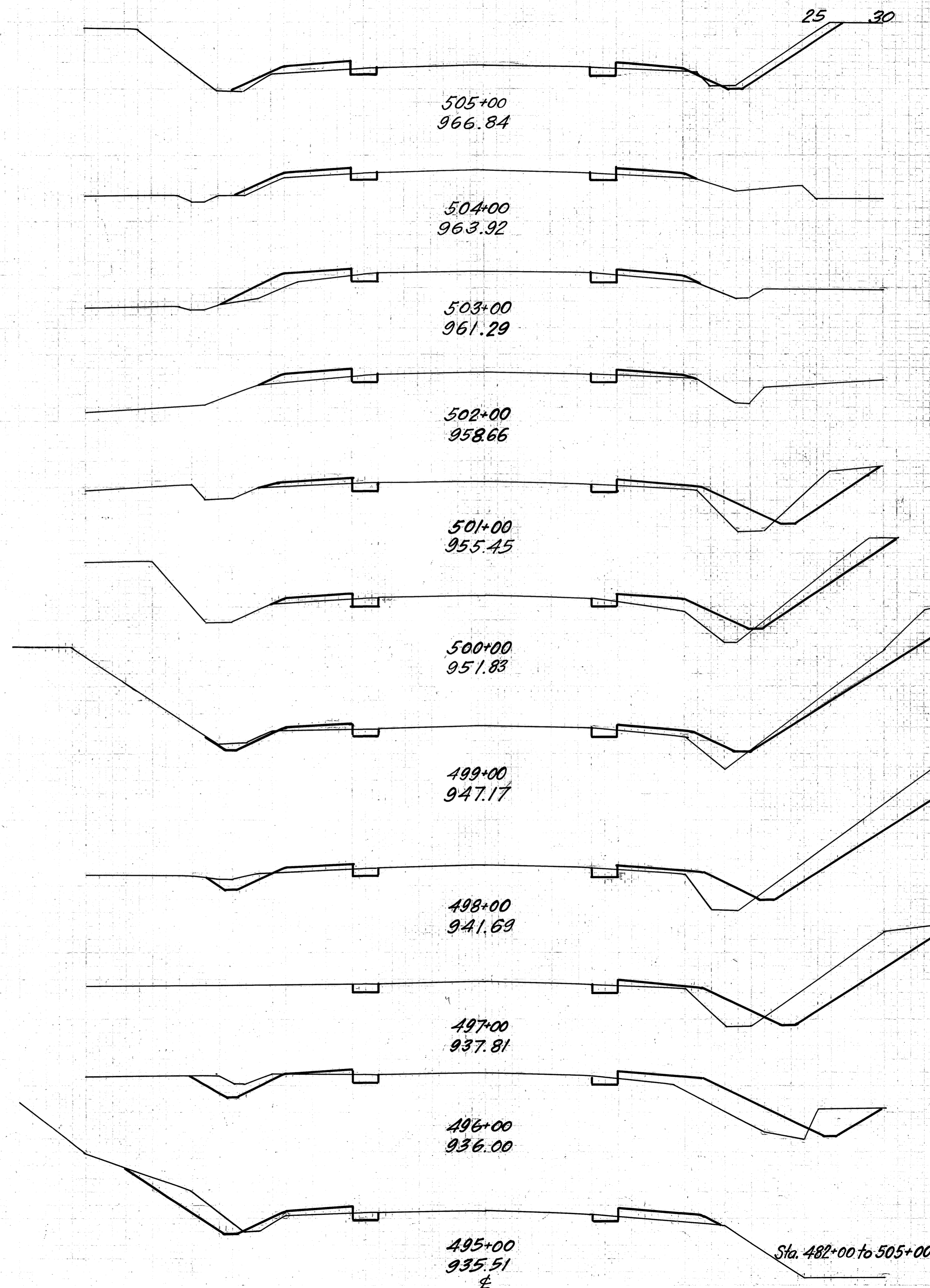
30 25 20 15 10 5 0 5 10 15 20 25 30

BLASCOV NUMBER



END AREAS		CU. YDS.	
CUT	FILL	CUT	FILL
11	4		
		28	26
4	10		
		15	28
4	5		
		13	19
3	5		
		17	41
6	17		
		20	48
5	8		
		30	35
11	11		
		35	30
8	5		
		30	24
8	8		
		44	22
16	4		
		119	19
48	6		
		48	127
4	132		
		15	278
4	18		
		13	93

30 25 20 15 10 5 0 5 10 15 20



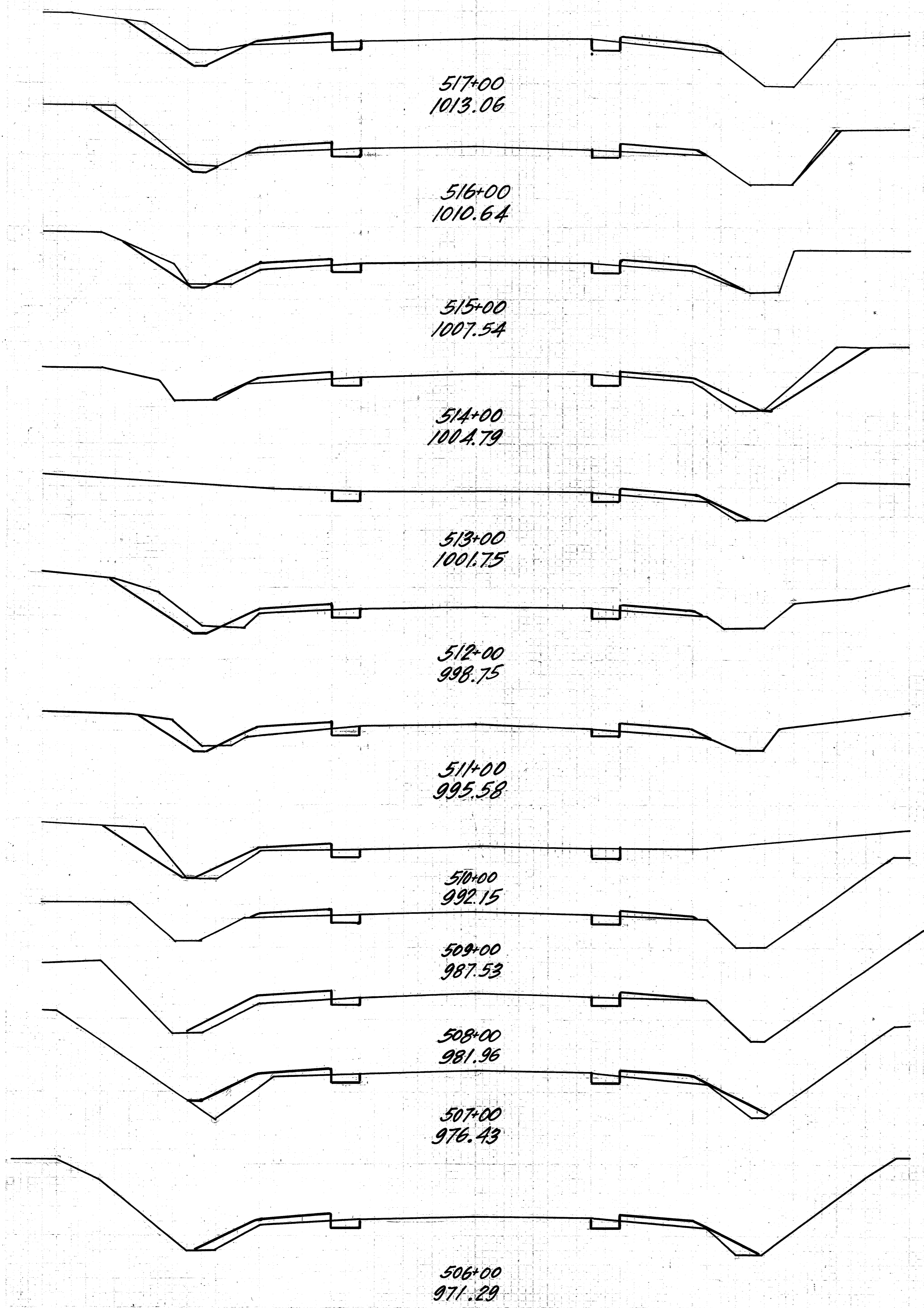
END AREAS		CU. YDS.	
CUT	FILL	CUT	FILL
8	7		
		22	28
4	8		
		15	37
4	12		
		15	33
4	6		
		33	37
14	14		
		46	52
11	14		
		65	46
24	11		
		102	46
31	14		
		109	44
28	10		
		82	48
16	16		
		54	48
13	10		
		44	26

Deduct 50' for Bridge

Sta. 482+00 to 505+00

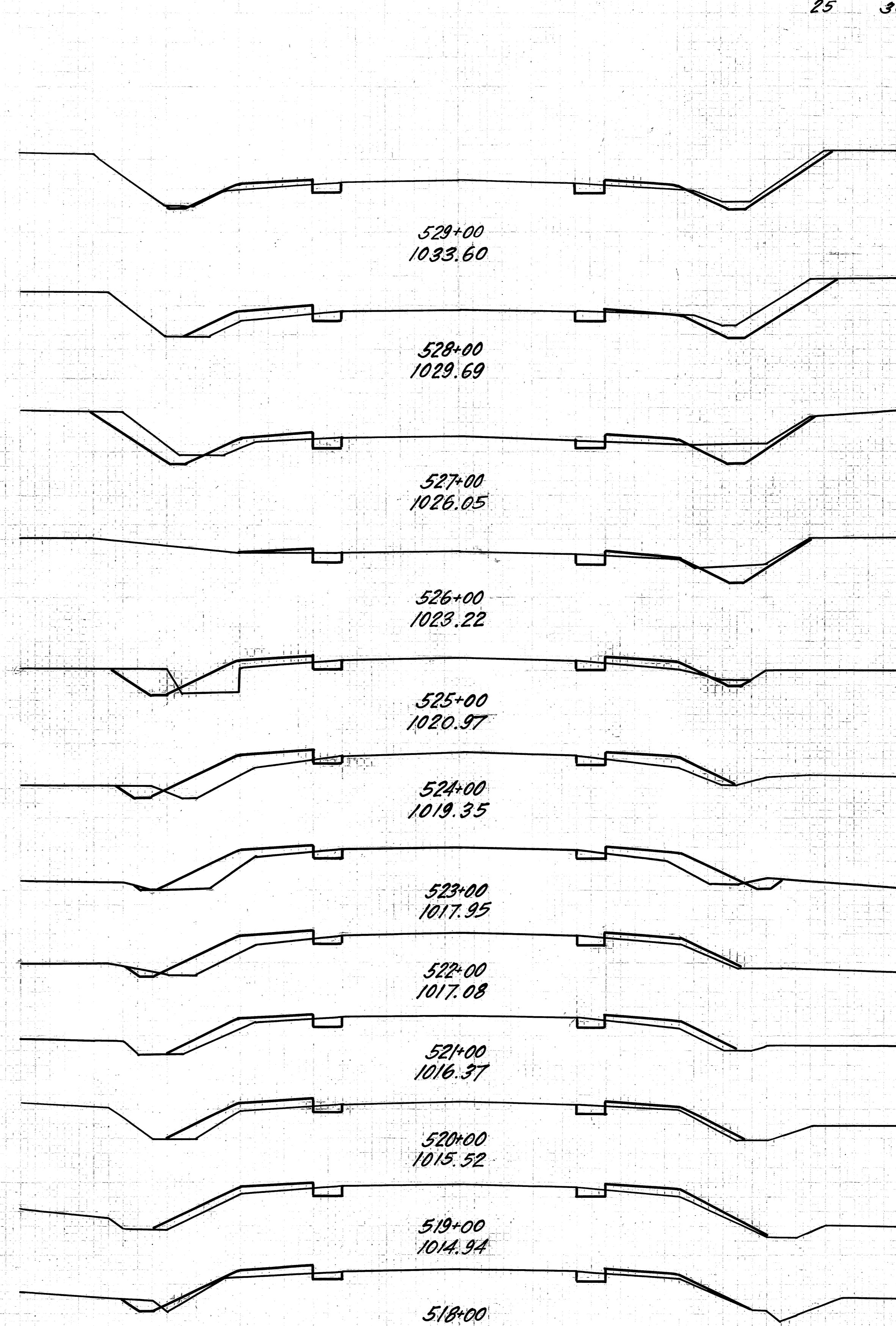
GLASSGOW  
HAAGER  
GLASSGOW

30 25 20 15 10 5 0 5 10 15 20 25 30



END AREAS		CU. YDS.	
CUT	FILL	CUT	FILL
9	7		
		30	26
7	7		
		24	30
6	9		
		28	30
9	8		
		24	24
4	5		
		28	24
11	8		
		35	33
8	10		
		30	28
8	5		
		22	20
4	6		
		13	26
3	8		
		13	39
4	13		
		13	43
3	10		
		20	32

30 25 20 15 10 5 0 5 10 15 20



FED. AID DIST. NO. 10 STATE OHIO FED. AID PROJECT 390 F FISCAL YEAR 1930  
S.H. (I.C.H.) 540 WAYNE COUNTY SEC. 1-J2

END AREAS		CU. YDS.	
CUT	FILL	CUT	FILL
7	5		
		37	20
13	6		
		52	22
15	6		
		48	17
11	3		
		35	30
8	13		
		26	56
6	17		
		19	65
4	18		
		13	59
3	14		
		13	50
4	13		
		15	46
4	12		
		15	41
4	10		
		19	33
6	8		
		28	28

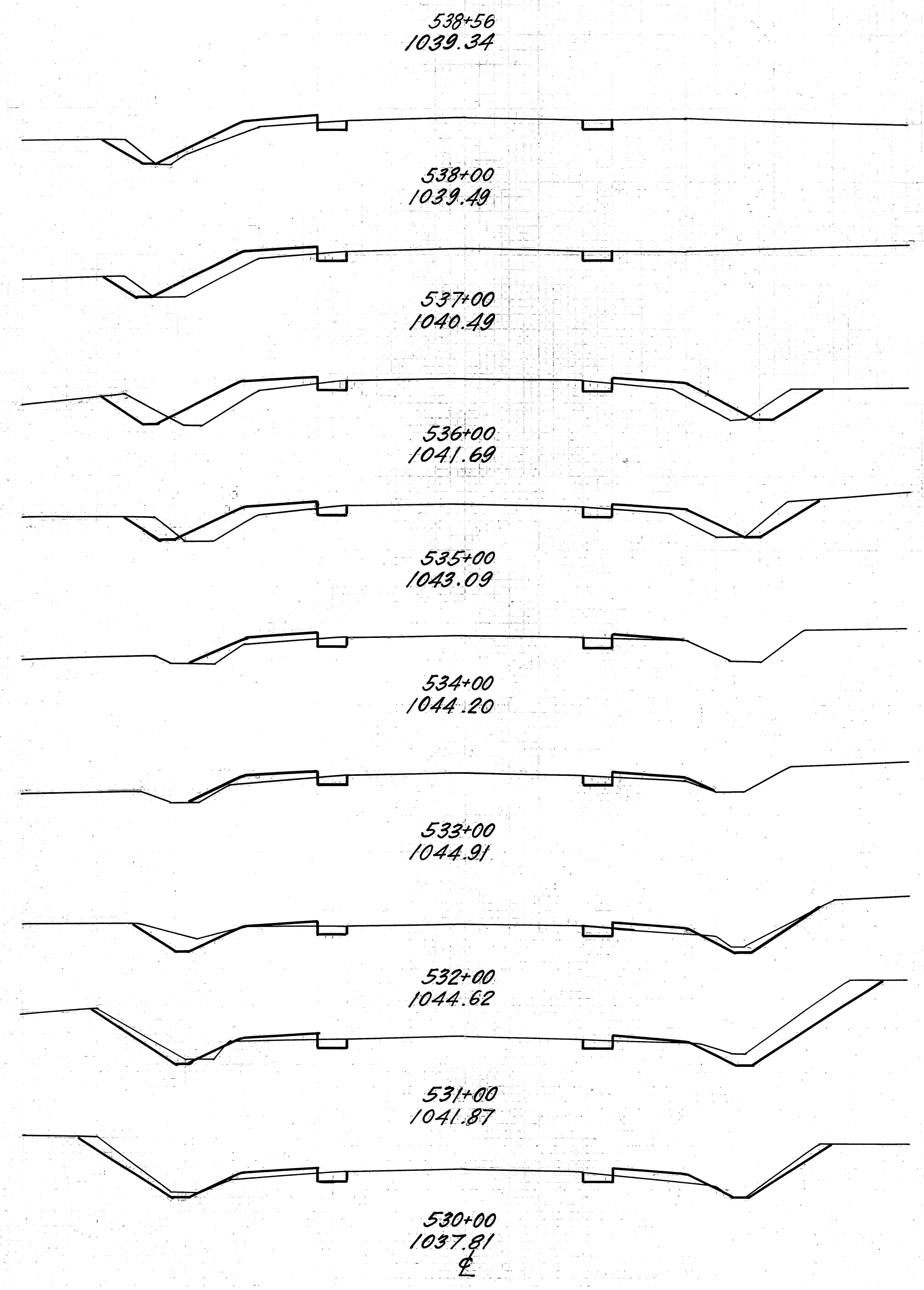
Excav. 919 cu. yds.  
Emb. 1091 cu. yds.  
Emb. +35% 1473 cu. yds.  
Borrow 554 cu. yds.

Sta. 506+00 to 529+00

30 25 20 15 10 5 0 5 10 15 20 25 30

GLASGOW  
HAAGER  
2/19/29  
2/12/29

Top of Brick



END AREAS		CU. YDS.	
CUT	FILL	CUT	FILL
8	0		
		15	8
7	8		
		26	33
7	10		
		37	52
13	18		
		37	52
7	10		
		20	28
4	5		
		15	20
4	6		
		24	19
9	4		
		56	17
21	5		
		57	20
10	6		
		32	20

FED. AID DIST. NO.	STATE	FED. AID PROJECT	FISCAL YEAR	32 36
10	OHIO	390 F	1930	

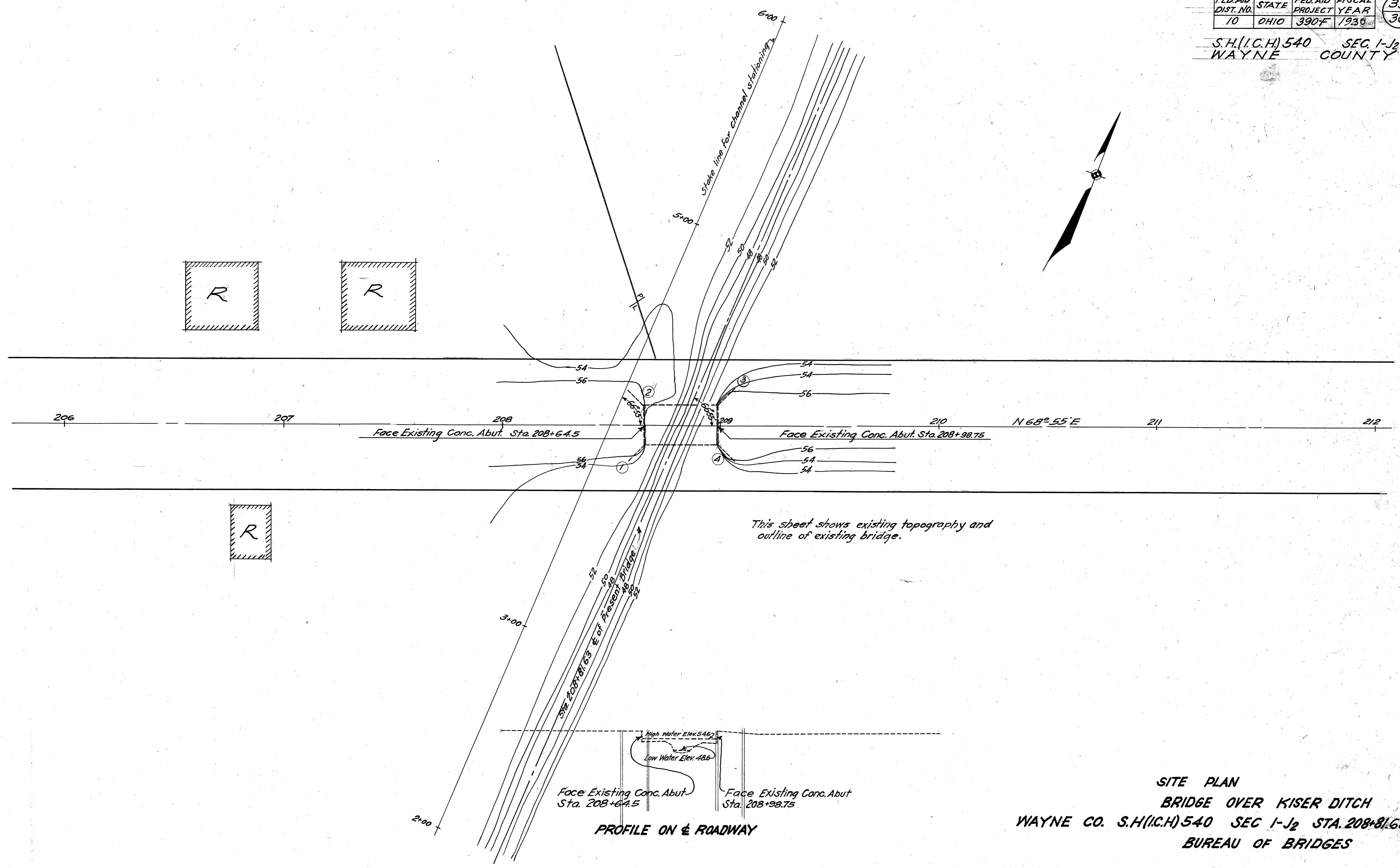
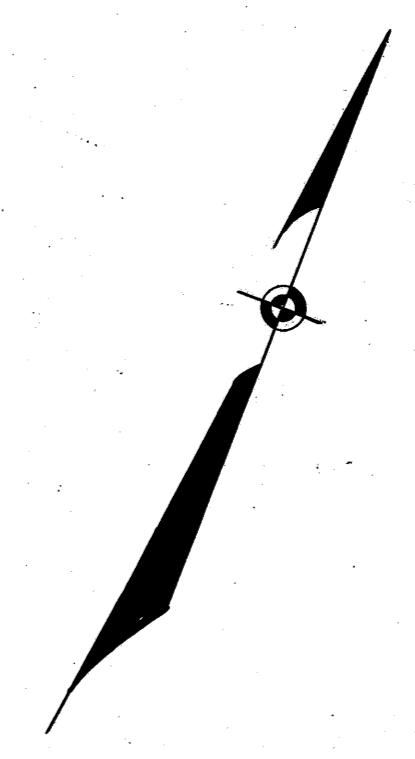
S.H.(I.C.H) 540 SEC. 1-1/2  
WAYNE COUNTY

Sta. 530+00 to 538+56



FED. AID DIST. NO.	STATE	FED. AID PROJECT	FISCAL YEAR	33
10	OHIO	390F	1930	36

S.H.(I.C.H.) 540 SEC. 1-J<sub>2</sub>  
WAYNE COUNTY



Face Existing Conc. Abut Sta. 208+64.5  
Face Existing Conc. Abut Sta. 208+98.75  
**PROFILE ON & ROADWAY**

**SITE PLAN**  
**BRIDGE OVER KISER DITCH**  
WAYNE CO. S.H.(I.C.H.) 540 SEC 1-J<sub>2</sub> STA. 208+81.63  
**BUREAU OF BRIDGES**

SURVEYED REG. 3/12/29  
DRAWN REG. 3/21/29  
CHECKED  
REVIEWED 11:46 A.M. 3/26/29

CONCRETE MIX shall be 1:6½ for footings and abutment walls, and 1:5½ mix for approach slabs and superstructure.

EXCAVATION All excavation below Elev. 949.0 is classified as wet excavation. All excavation above Elev. 949.0 not included in channel excavation is classified as dry excavation. Channel excavation shall be made full width of bridge span, to 18' each side of E, and to Elev. 949.0, and width decreased to 17' width of existing ditch at edge of right-of-way. Excavated material shall be disposed of as directed by engineer in charge.

BACKFILL shall not be made against new wings and abutment above Elev. 949.0 until the superstructure is in place.

HORIZONTAL CONSTRUCTION JOINTS other than those shown will NOT be permitted. Vertical construction joints necessary for construction allowed only by special permission of the engineer. All construction joints in abutments shall be sealed on back with Type "A" waterproofing, for which payment shall be included with concrete.

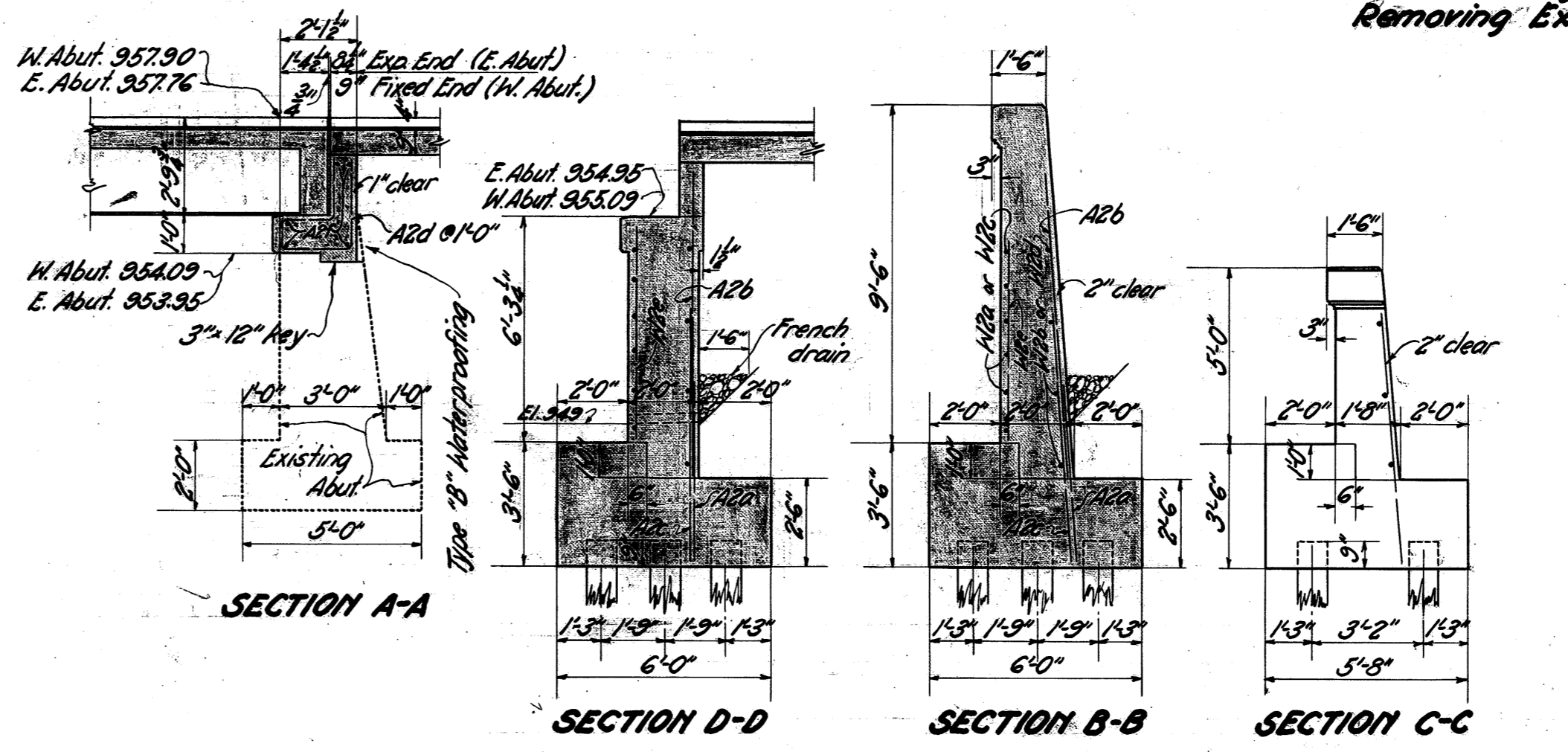
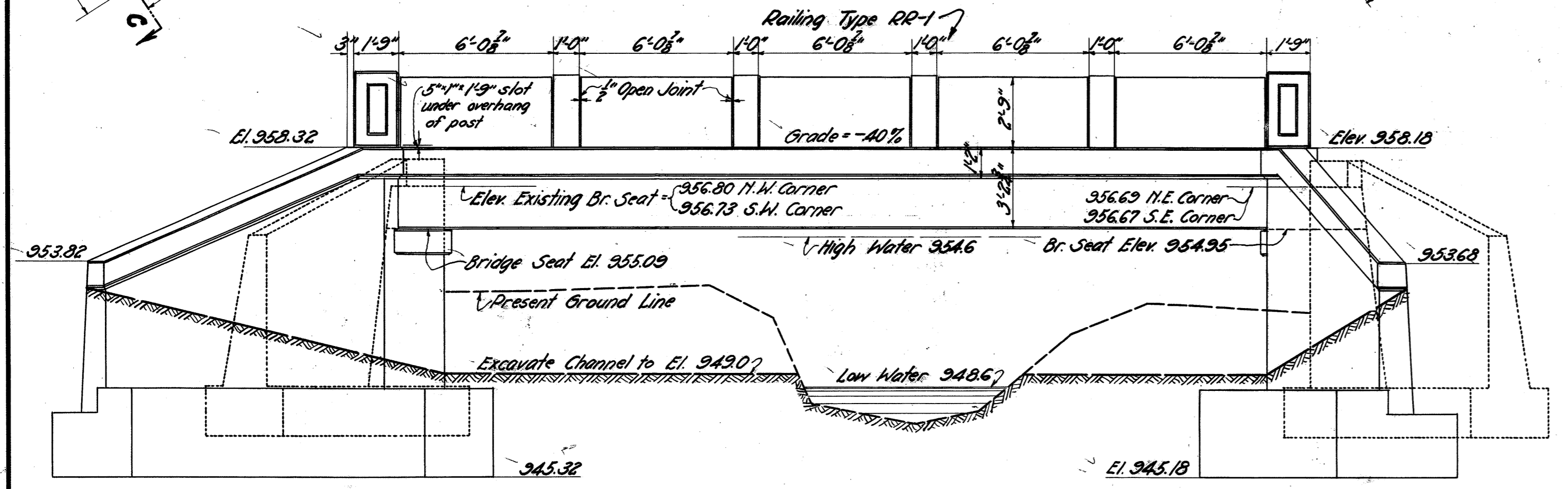
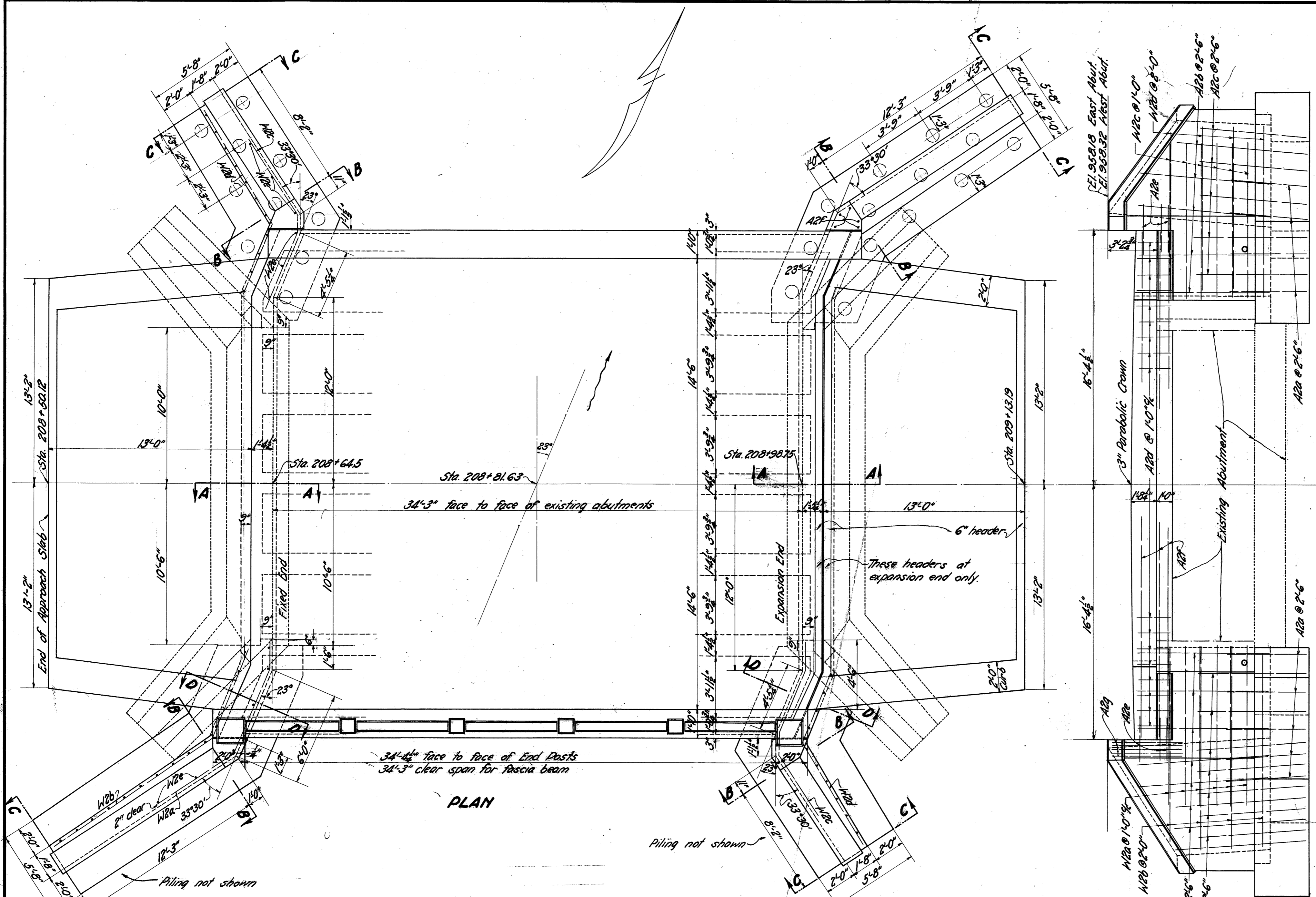
A 9" KEY shall be cut into the front face of existing abutment, where new abutment wall joins existing abutment wall, as shown on plans. Existing wing walls shall be removed, where necessary, to construct the new ones. Remove tops of existing abutments to elevations shown and build up bridge seats and back walls as shown on Section A-A.

REINFORCED CONCRETE APPROACH SLABS shall be 13'-0" long, 9" thick, with a 4" wearing surface consisting of 3" lug brick on a 1½" granulated slag cushion. Approach slabs shall be constructed as shown on this drawing and in accordance with notes and methods shown on drawing number AS-2430. Approach slabs shall have 24" flush curbs on sides and 6" flush headers at ends.

Mark	Size	Shape	No.	Length	Weight
A2a	½" x 8"	Strt.	18	5'-0"	60
A2b	"	"	28	8'-6"	160
A2c	"	"	24	7'-0"	112
A2d	"	"	66	7'-9"	344
A2e	"	Strt.	20	4'-0"	53
A2f	"	"	10	32'-6"	218
A2g	"	Strt.	20	5'-0"	67
W2a	½" x 8"	Strt.	12	14'-0"	112
W2b	"	"	8	18'-0"	96
W2c	"	"	12	12'-6"	100
W2d	"	"	8	13'-6"	72
W2e	"	Strt.	24	6'-0"	96
Total					1490*

COMPUTATION OF CHANNEL EXCAVATION  
 Between faces of walls (18' each side E)  
 $23.5' (Av. width) \times 3.25' (Av. depth) \times 36' = 102 \text{ Cu. Yds.}$   
 Topsoil portions on both sides of bridge  
 $23.5' (Av. width) \times 3.25' (Av. depth) \times 12' = 46 \text{ Cu. Yds.}$   
 Slopes on both sides of channel  
 $3.25' \times 3.25' \times 60 \text{ lin. ft.} = 12 \text{ Cu. Yds.}$   
**TOTAL CHANNEL EXCAVATION = 160 Cu. Yds.**

ESTIMATED QUANTITIES	
Channel Excavation	160 Cu. Yds.
Dry Excavation	100 Cu. Yds.
Wet Excavation	80 Cu. Yds.
1:6 Concrete - Walls	43 Cu. Yds.
1:6 Concrete - Footings	45 Cu. Yds.
Reinforcing Steel	1490 Lbs.
Reinf. Concrete Approach Slabs - 9" thick	80 Sq. Yds.
Timber Piling - Estimated Length 25 Ft.	1200 Lin. Ft.
Removing Existing Masonry	30 Cu. Yds.



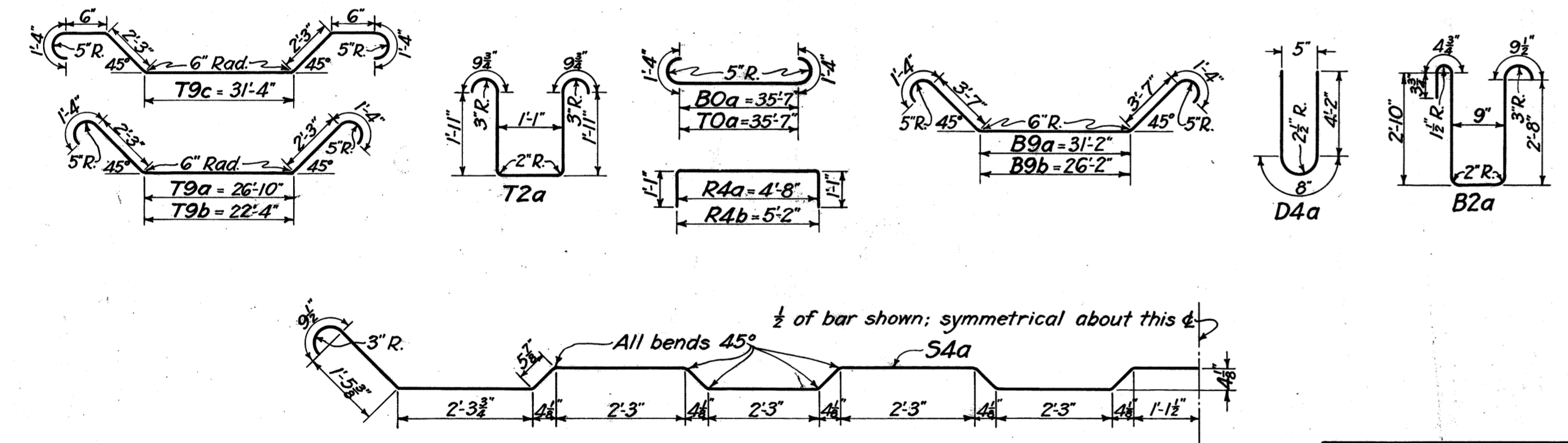
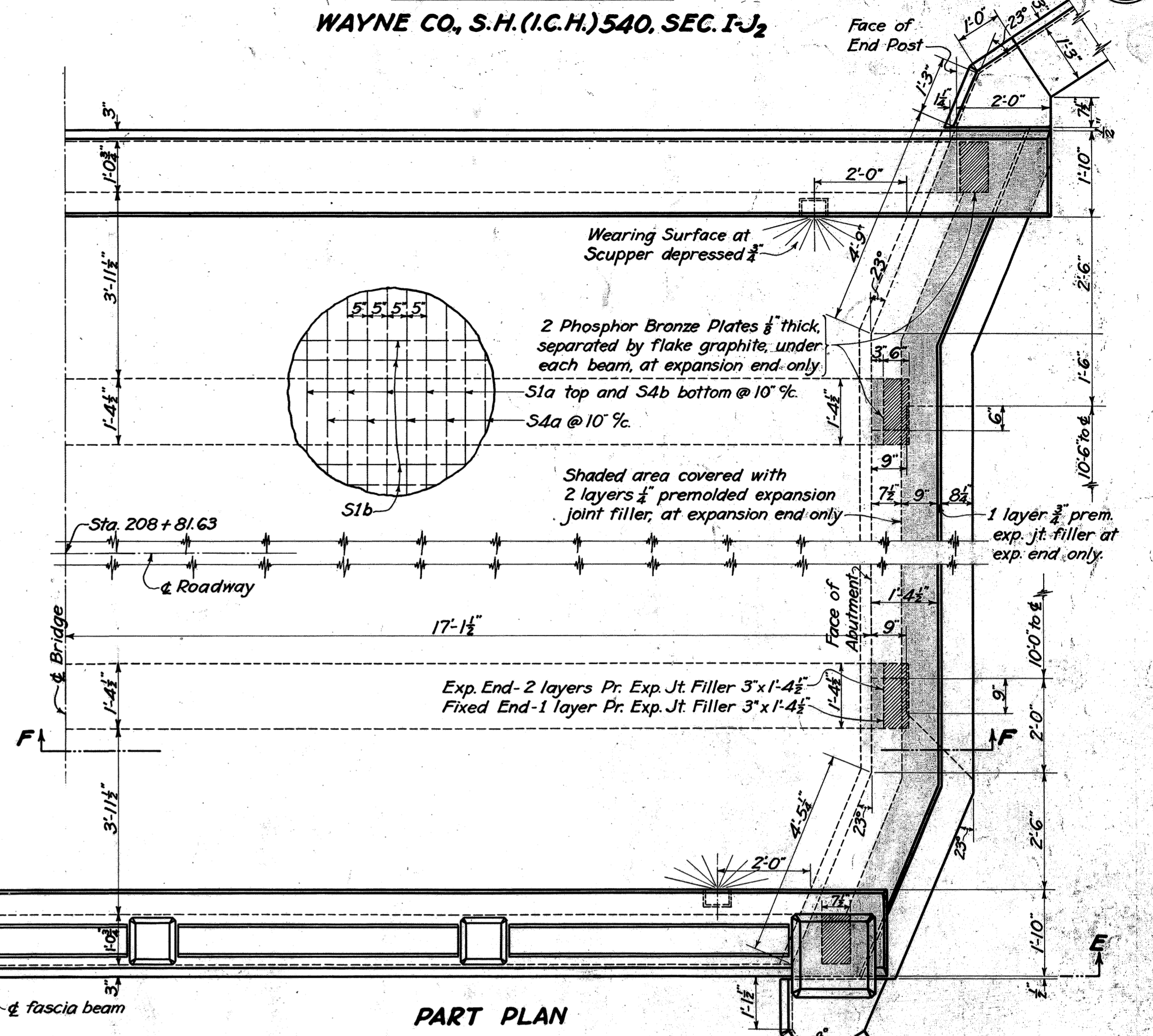
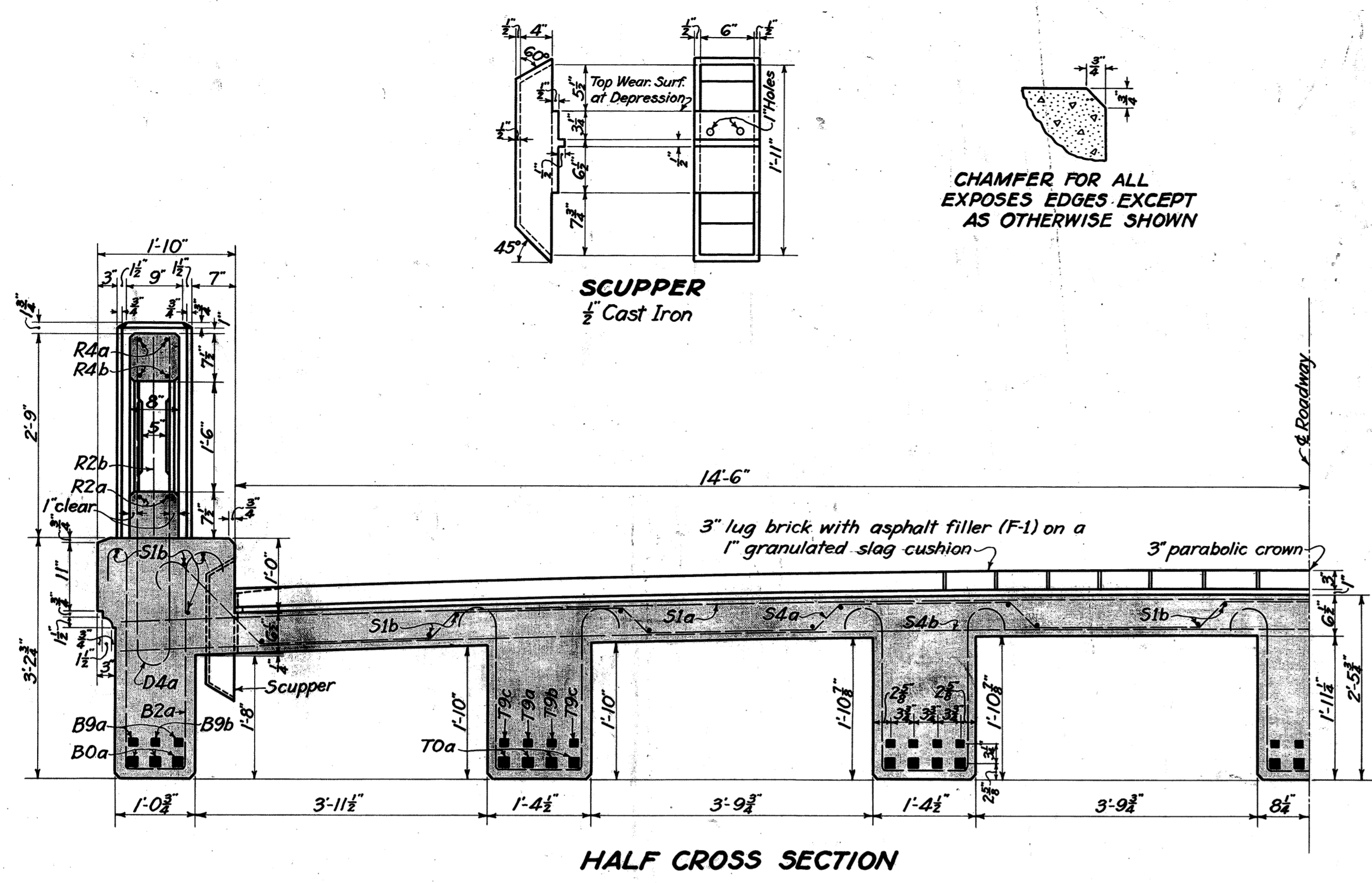
**SUBSTRUCTURE**  
**BRIDGE OVER KISER DITCH**  
 STA. 208+81.63  
 WAYNE - 540 - 1, J2  
 SEPT. 1929 BUREAU OF BRIDGES  
 Designed & Drawn K.E.D. Traced C.R.S. Checked F.C.H. Reviewed W.H.C. 9-26-29

WAYNE CO., S.H. (I.C.H.) 540, SEC. I-J<sub>2</sub>

### STEEL LIST

Mark	Size	Shape	No.	Length	Weight
T9a	1 1/8"	Bent	5	34'-0"	732
T9b	1 1/8"	Bent	5	29'-6"	635
T9c	1 1/8"	Bent	10	39'-6"	1700
T0a	1 1/8"	Bent	20	38'-3"	4065
T2a	1/2"	φ Bent	200	6'-6"	868
B9a	1 1/8"	Bent	4	41'-0"	706
B9b	1 1/8"	Bent	2	36'-0"	310
B0a	1 1/8"	Bent	6	38'-3"	1219
B2a	1/2"	φ Bent	52	7'-9"	269
S4a	5/8"	φ Bent	44	34'-3"	1572
S4b	5/8"	φ Straight	45	31'-9"	1490
S1a	5/8"	φ Str.	45	31'-9"	537
S1b	5/8"	φ Str.	30	36'-9"	415
S7a	1"	φ Bent	6	32'-6"	521
D4a	5/8"	φ Bent	64	9'-0"	601
R4a	5/8"	φ Bent	20	7'-9"	
R4b	5/8"	φ Bent	20	7'-3"	
R2a	5/8"	φ Str.	20	5'-9"	
R2b	5/8"	φ Str.	50	2'-6"	
TOTAL					15,640

*Railing bars included in rail for payment.*



### ESTIMATED QUANTITIES.

Concrete 1:5 1/2 Mix	55 Cu. Yds.
Reinforcing Steel	15,640 Lbs.
1/4" Prem. Exp. Jt. Filler	100 Sq. Ft.
3/4" Prem. Exp. Jt. Filler	90 Sq. Ft.
1/8" Phos. Bronze Plates	53 Lbs.
Cast Iron Scuppers	4 Pcs.
Railing	75.7 Lin. Ft.
Wearing Surface	180.6 Sq. Yds.

**NOTES.**

**SPECIFICATIONS:-** Construction Specifications in force on date of contract shall govern.

**CONCRETE MIX:-** All concrete to be 1:5 1/2 mix.

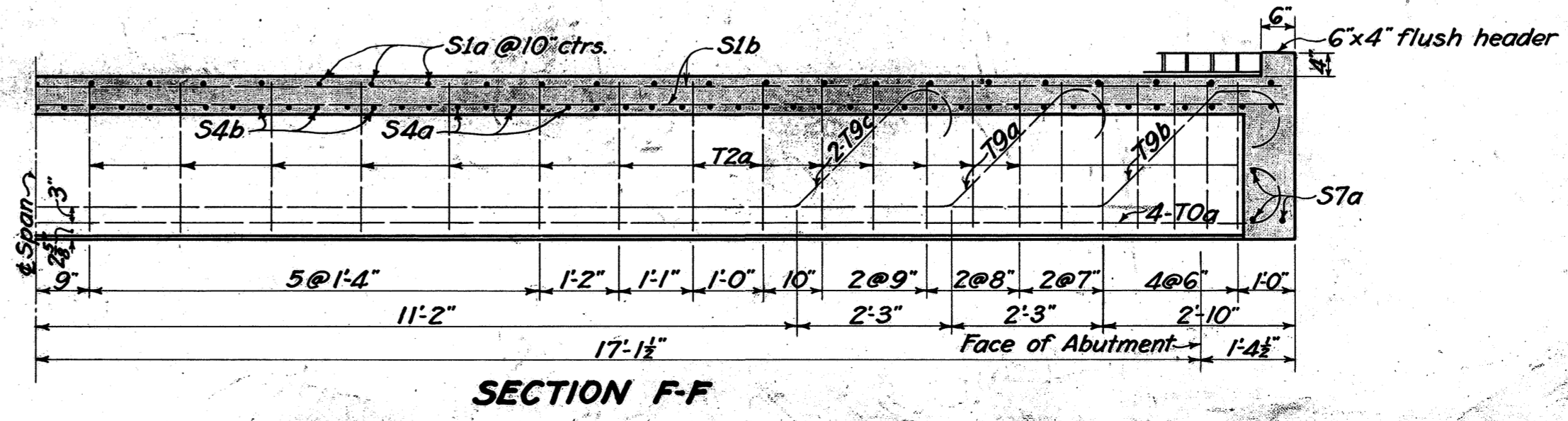
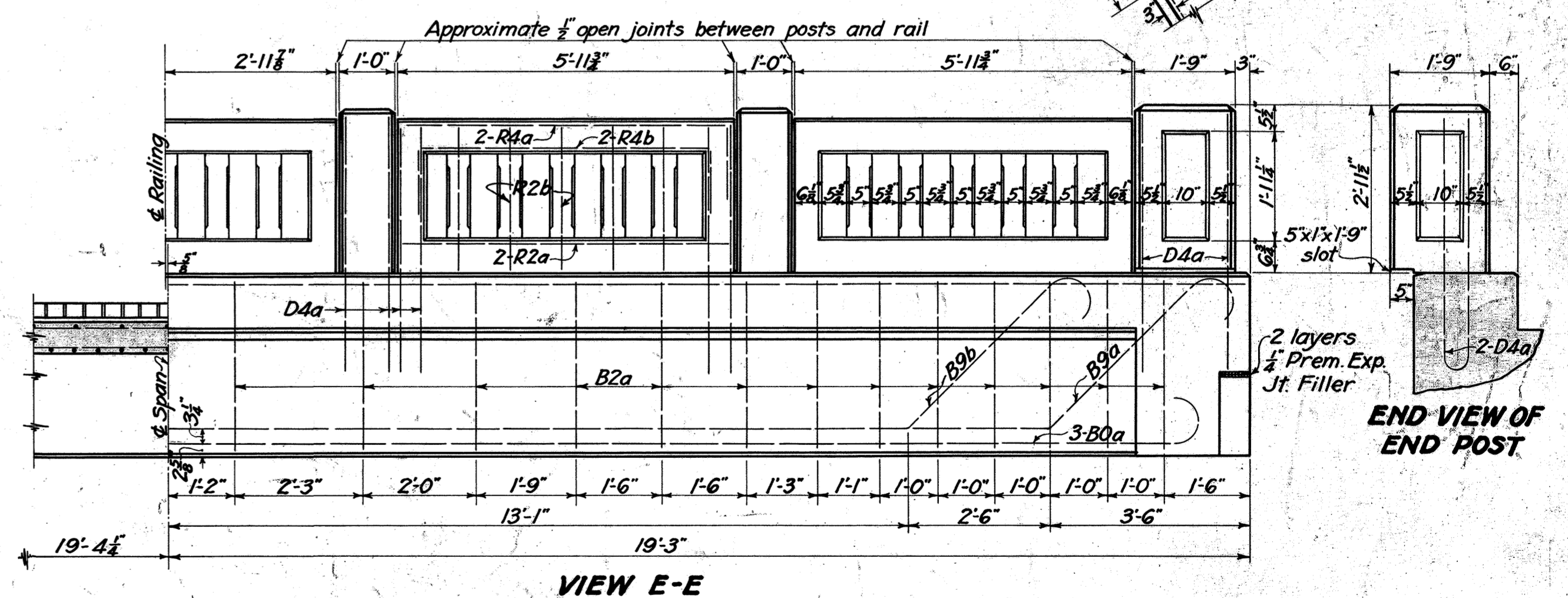
**BENT STEEL:-** All dimensions are measured along & of bar.

**EXPANSION JOINT FILLER:-** Expansion End:- Top of abutment to be finished smooth and covered with 2 layers of 1/2" Premolded Expansion Joint Filler over area indicated on Part Plan. Also, 1 layer 3/4" between backwall and (entire width of) superstructure from bridge seat to top of wearing surface. Also, 2 layers 1/2" on backwall under projection of outside beams. Fixed End:- 1 layer 1/2" on 3" space at edge of bearing of beams. Both Ends:- 2 layers 1/2" between superstructure and wings, bridge seat to top of wings.

**CONSTRUCTION JOINT:-** If unable to place floor system continuously, make construction joint midway between any two beams. Slab to be placed monolithic with beams.

**CAMBER:-** Span shall be provided with a permanent camber under full dead load, amounting to approximately 1/8" at center and following a true parabolic curve.

**WEARING SURFACE:-** Wearing surface shall be full width between curbs and entire length of slab, between 4"x6" headers, and on approach slabs, as shown.



**SUPERSTRUCTURE DETAILS**  
**BRIDGE OVER KISER DITCH**  
**WAYNE CO., S.H. 540, SEC. I-J<sub>2</sub>**

Designed Drawn Traced Checked Reviewed  
K.E.D. K.E.D. R.B.K. F.C.N. 11/27 5-26-29

# SUMMARY OF QUANTITIES

FED. AID DIST. NO.	STATE	FED. AID PROJECT YEAR	FISCAL YEAR	36
10	OHIO	390 F	1930	36

S.H. (I.C.H.) 540  
WAYNE COUNTY

NO.	STATION	TYPE	RDWY	SPAN	EXCAVATION			CONCRETE			REINF. STEEL LBS.	BR RAILING TYPE RR-1 LIN. FT.	1/2 EXPJT. FILLER SQ. FT.	1/4 EXPJT. FILLER SQ. FT.	REINF. CONC. APP. SLAB SQ. YDS.	BRICK & CUSHION SQ. YDS.	TIMBER PILING LIN. FT.	PHOS BR. PLATES LBS.	CAST IRON SCUPPERS PCS	REMOVING EXISTING MASONRY CU. YD.
					DRY CU YDS.	WET CU YDS.	CHANNEL CU YDS.	1-5 1/2 SUPER.	1-6 1/2 FOOTINGS	1-6 1/2 WALLS										
<b>STRUCTURE OVER 20 FEET</b>																				
1	208+50.12 209+13.19	BEAM	30'	34'-3"	100	80	160	55	45	43	17130	75.7	90	100	80	188	1200	53	4	30

STA.	NEW						OLD PIPE RELAID							
	10" CORR. LIN. FT.	12" CORR. LIN. FT.	15" CORR. LIN. FT.	18" CORR. LIN. FT.	24" CORR. LIN. FT.	10" V.S.P. LIN. FT.	6"	8"	10"	12"	15"	18"	24"	
+205+20	20													
205+70	20													
+205+80	20													
+208+40	20													
+215+32										20				
+222+83	20													
+227+48									22					
+233+05										20				
+233+32									20					
+238+82	20													
+241+23										20				
+242+90	20													
+251+42									84					
+253+00	20													
+259+50	20													
+260+39										20				
+261+87											20			
+274+10										20				
+287+08										20				
+292+37		20												
+299+50	20													
+299+94	20													
+316+00												20		
+320+40										20				
+329+50						550								
+331+25				30										
+335+03						12								
+337+80						20								
+340+12									36					
+345+58		20												
+347+33						20								
+347+64						20								
+353+49		20												
+364+25									24					
+465+77												20		
+469+47													24	
+481+57						20								
+526+87									16					
+534+00	20													
+535+00	20													
TOTALS	260	60	20	70	32	550	84	58	80	120	20	40	24	

100 lin. ft. Type D-1, D-2 or D-3 Guard Rail, as directed by the Engineer.

FROM STATION	TO STATION	CUBIC YARDS				
		EXC.	EMB.	EMB+35% WASTE	BORROW	
203+25	213+00	97	709	957		860
213+00	351+00	6,884	5,161	6,967		83
351+00	427+00	3,394	2,506	3,383	11	
427+00	505+00	4,197	3,149	4,251		54
505+00	538+56	919	1,091	1,473		554
TOTALS		15,491	12,616	17,031	11	1554

SUMMARY OF SIDE DITCH INLETS  
Sta. 332+45 \*1 only complete, Std. No. 1 for 10" pipe

PAVEMENT LENGTH  
 Beg of proj. Sta. 203+25  
 End of proj. Sta. 538+56  
 GROSS LENGTH 33,531 LIN. FT.  
**DEDUCTIONS**  
 Sta. 208+81.6 Bridge 63.1  
 Sta. 243+95 Bridge 12.5  
 Sta. 483+10 Bridge 40.0  
 NET LENGTH 33,415.4 LIN. FT.

Structures Under 20' Span  
 15 cu. yds. 1:5 concrete  
 5 cu. yds. 1:8 concrete  
 500 lbs. steel  
 50 cu. yds. excavation  
 10 lin. ft. 30" cast iron pipe.

### CALCULATIONS OF PAVEMENT QUANTITIES

Lin. Ft.	From Sta.	To Sta.	Calculation
493.4	203+25	208+18.4	
11,850.0	211+00	329+50	32,243.7' x 2 = 64,487.4 lin. ft. 24"x10" Flush curb.
1,050.0	335+00	345+50	
12,537.3	346+25	471+62.3	32,243.7' x 16' = 515,899.2" ÷ 9 = 57,322.1 sq. yds. Brick pav. including filler and cushion.
796.5	475+02.5	482+99	
5,516.5	483+39.5	538+56	
32,243.7	Typical pavmt.		
31.6	208+18.4	208+50	63.2' x 2 = 126.4 lin. ft. 24"x3 3/4" Flush curb
31.6	209+13.1	209+44.7	63.2' x 7.17' = 453.1" ÷ 9 = 50.3 sq. yds. 8" conc. base
63.2	Widen pav @ Br.		63.2' x 16' + 63.2' x 3.17' = 1211.2" ÷ 9 = 134.6 sq. yds. brick pav. including filler and cushion.
63.1	208+50	209+43.1	
63.1	Bridge		
155.3	209+44.7	211+00	155.3' x 2 = 310.6 lin. ft. 24"x18" Flush curb.
155.3	Build up base etc.		155.3' x 16' = 2484.8" ÷ 9 = 276.1 sq. yds. brick pav. including filler and cushion.
300.0	329+50	332+50	350' x 6' = 2100" ÷ 9 = 233.3 sq. yds. 8" conc. base.
50.0	334+50	335+00	350' x 1 = 350 lin. ft. 12"x16" raised curb 350 x 1 = 350 lin. ft. 24"x10" Flush curb
350.0	Widen base etc.		350' x 21' = 7,350" ÷ 9 = 816.7 sq. yds. brick pav. including filler and cushion.
200.0	332+50	334+50	200' x 6' = 1200" ÷ 9 = 133.3 sq. yds. 8" conc. base. 200' x 1 = 200 lin. ft. 12"x16" raised curb
200.0	Widen base etc.		200' x 22.5' = 4500" ÷ 9 = 500 sq. yds. brick pav. including filler and cushion
75.0	345+50	346+25	75' x 20' = 1500" ÷ 9 = 166.7 sq. yds. 8" conc. base 75' x 16' = 1200" ÷ 9 = 133.3 sq. yds. remove old 8" conc. base
75.0	Tear up old pav. etc.		75' x 2' = 150 lin. ft. 24"x3 3/4" Flush curb. 75' x 16' = 1200" ÷ 9 = 133.3 sq. yds. brick pav. incl. filler and cushion
340.2	471+62.3	475+02.5	340.2' x 1 = 340.2 lin. ft. 24"x24" Flush curb. 340.2 x 1 = 340.2 lin. ft. 24"x10" Flush curb
340.2	Super. elev. curve etc.		340.2' x 16' = 5443.2" ÷ 9 = 604.8 sq. yds. brick pav. including filler and cushion.
40.5	482+99	483+39.5	40.5' x 19' = 769.5" ÷ 9 = 85.5 sq. yds. brick pav. including filler and cushion.
40.5	Bridge		
24"x10" CURB	BRICK PAV.	58,549.5	8" CONC. BASE
64,487.4	57,322.1	500.0	24"x3 3/4" CURB
350.0	134.6	133.3	12"x16" CURB
340.2	276.1	604.8	24"x24" CURB
65,177.6 LIN. FT.	816.7	85.5	REMOVE 8" BASE
	58,549.5	59,873.1 SQ. YDS.	133.3 SQ. YDS.
		583.6 SQ. YDS.	

FED. RD. DIST. NO.	STATE	FED. AID PROJECT	FISCAL YEAR
10	OHIO		1930

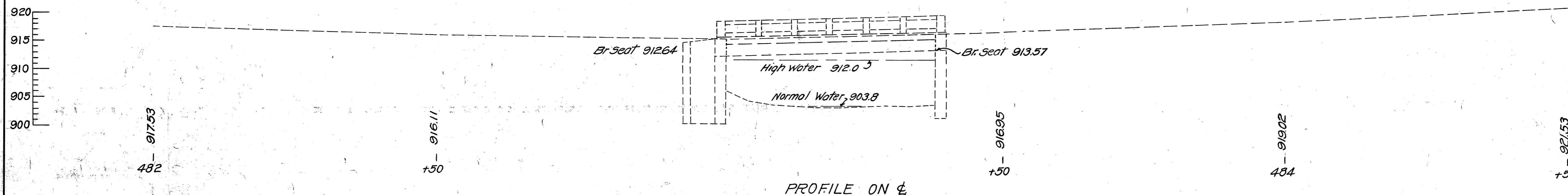
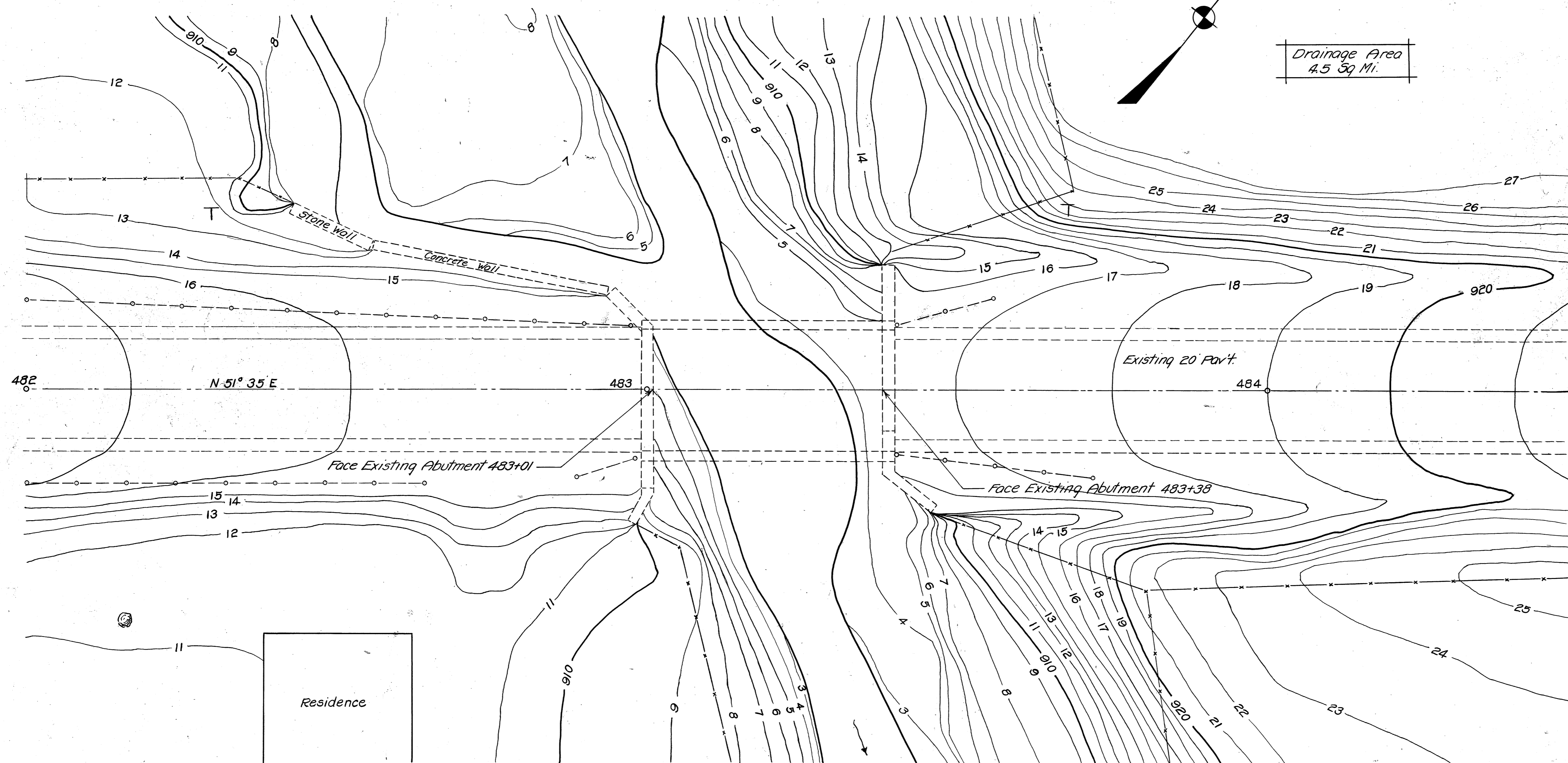
WAYNE COUNTY  
S.H. 540 SEC. 1-J2 BR.

No New Bridge at this time  
This Bridge widened & repaired  
in 1952 Br. No. WA-3-91A  
WAY-3-6.24

File No. 82  
As of 11-29-65

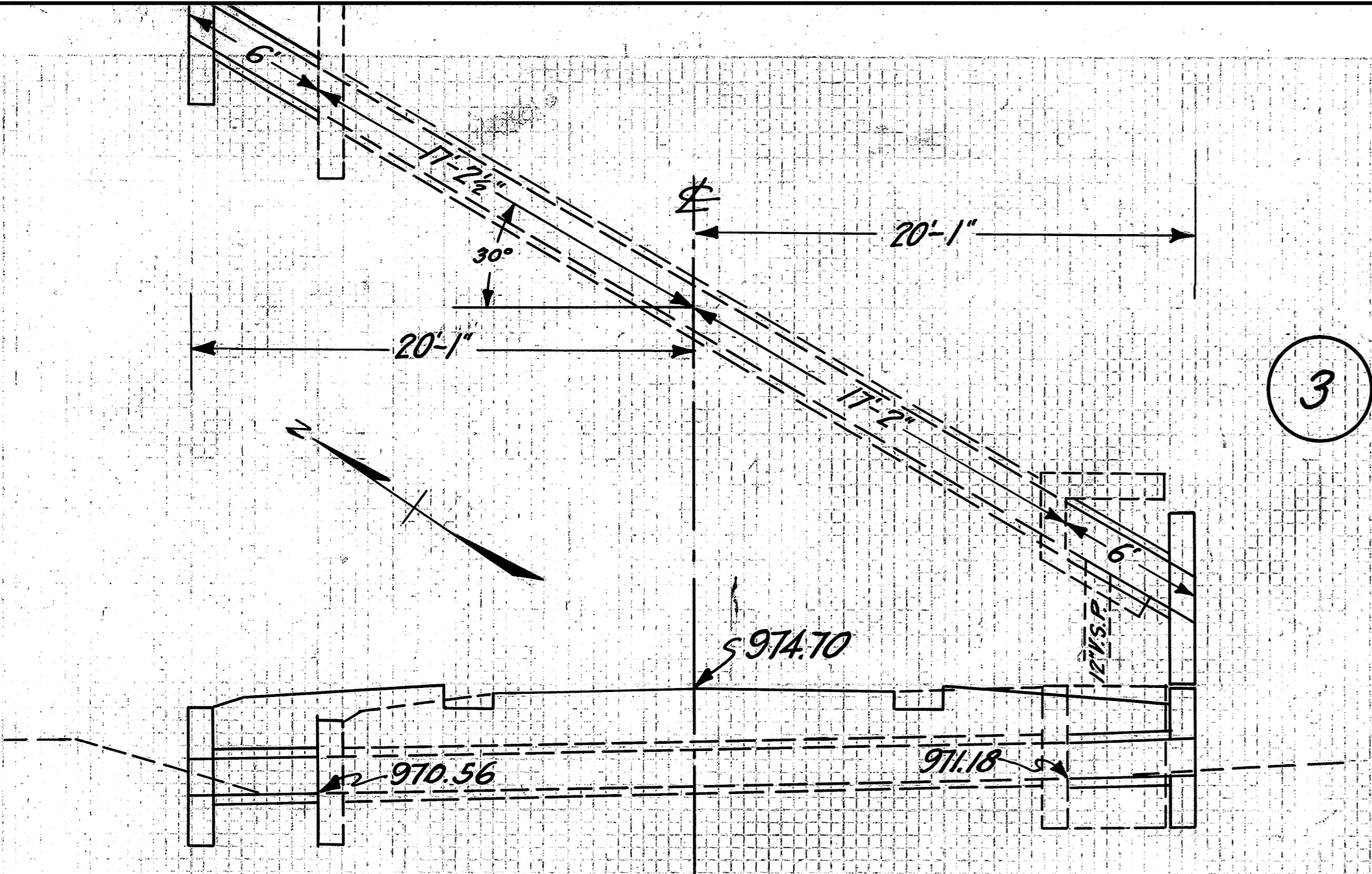
GENERAL NOTES

Location: 3.2 miles south west of Wooster on Wooster-Loudonville Road Route 3  
Present Structure Data:  
Type: Concrete Beam Bridge.  
Width: 19.6' Clear Roadway  
Clear Span 37.0'  
Floor: Concrete 3" Brick surface  
Substructure: Two 2' Stone abutments concrete extension on right. Good cond.  
Normal Water Elev. 903.80  
High Water Elev. 912.00  
Flow Line Elev. 903.63  
Elev on Floor West End of Bridge 915.67  
Elev on Floor East End of Bridge 916.60  
Present Waterway 340 Sq Ft  
Topography Rolling  
Ice Hazards None



WAY-3-0916

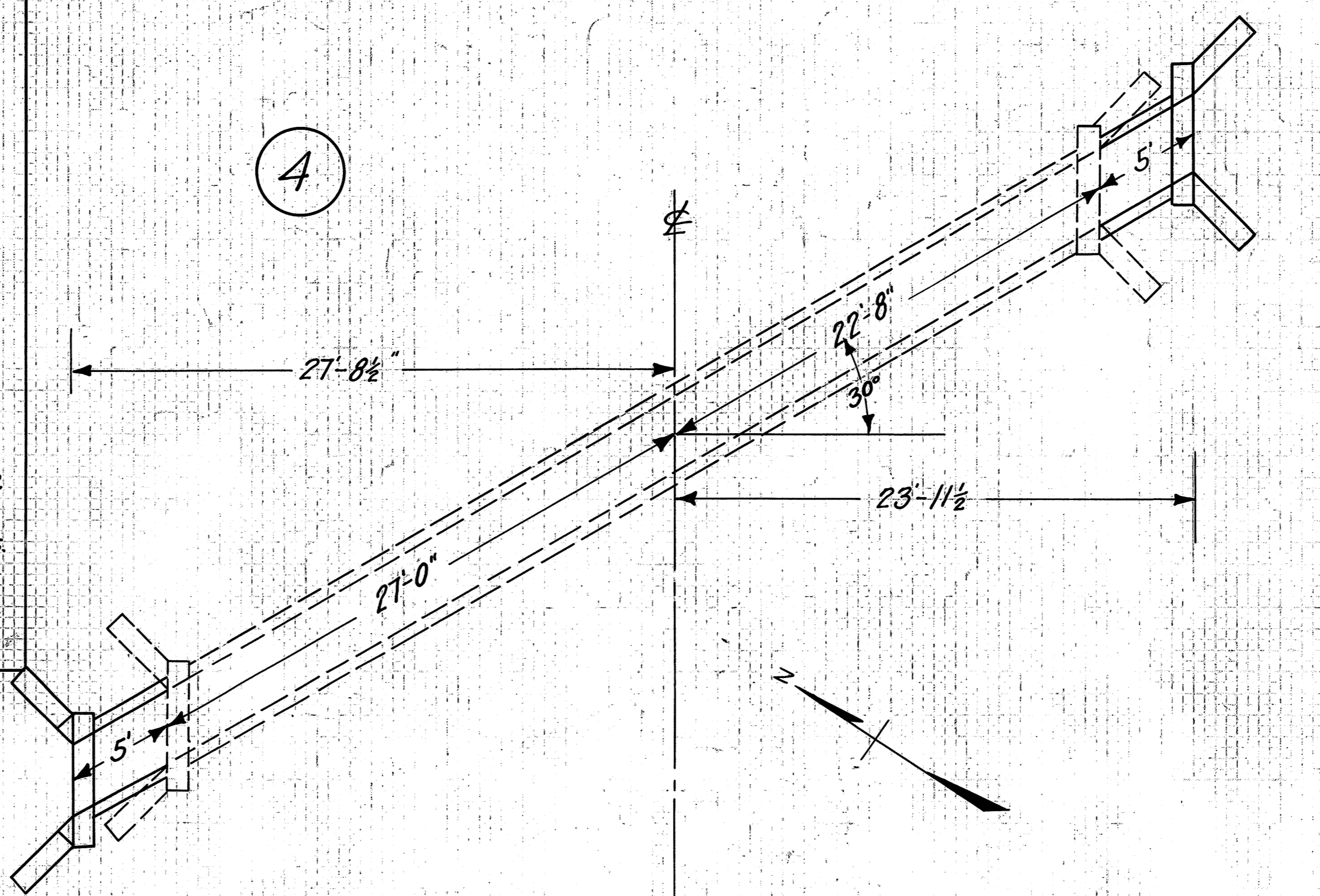
SH. 540		SEC. 1-J2 BR.	
WAYNE COUNTY			
BRIDGE NO. WA-3-91A			
SCALE 1"=10'			
PRESENT TOPO	PROPOSED WORK		
SURVEYED	DRAWN	CHECKED	REV.



**CULVERT DATA**  
 Type Std. V.S.P. Cul. Dr. #300  
 Size 18" x 12"  
 Work Req'd. Extend Present Culvert 6' on Rt. & 6' on Lt. with 18" Std. V.S.P. Remove 1' of top of existing headwall on Right and Clean outlet.  
 Drawn by J.E.R.  
 Date 2-26-30  
 Checked by \_\_\_\_\_  
 Date \_\_\_\_\_  
 Div. Engr.

**EST. QUANTITIES**  
 Excav. 7.0 Cu. Yds.  
 Conc. 1-5 1/2 2.7 Cu. Yds.  
 Conc. 1-8 1.6 Cu. Yds.  
 Reinf. Steel 80 Lbs.  
 18" V.S.P. 12 Lin. Ft.  
 Old Conc. to be removed 0.5 Cu. Yds.

STA. 231+72

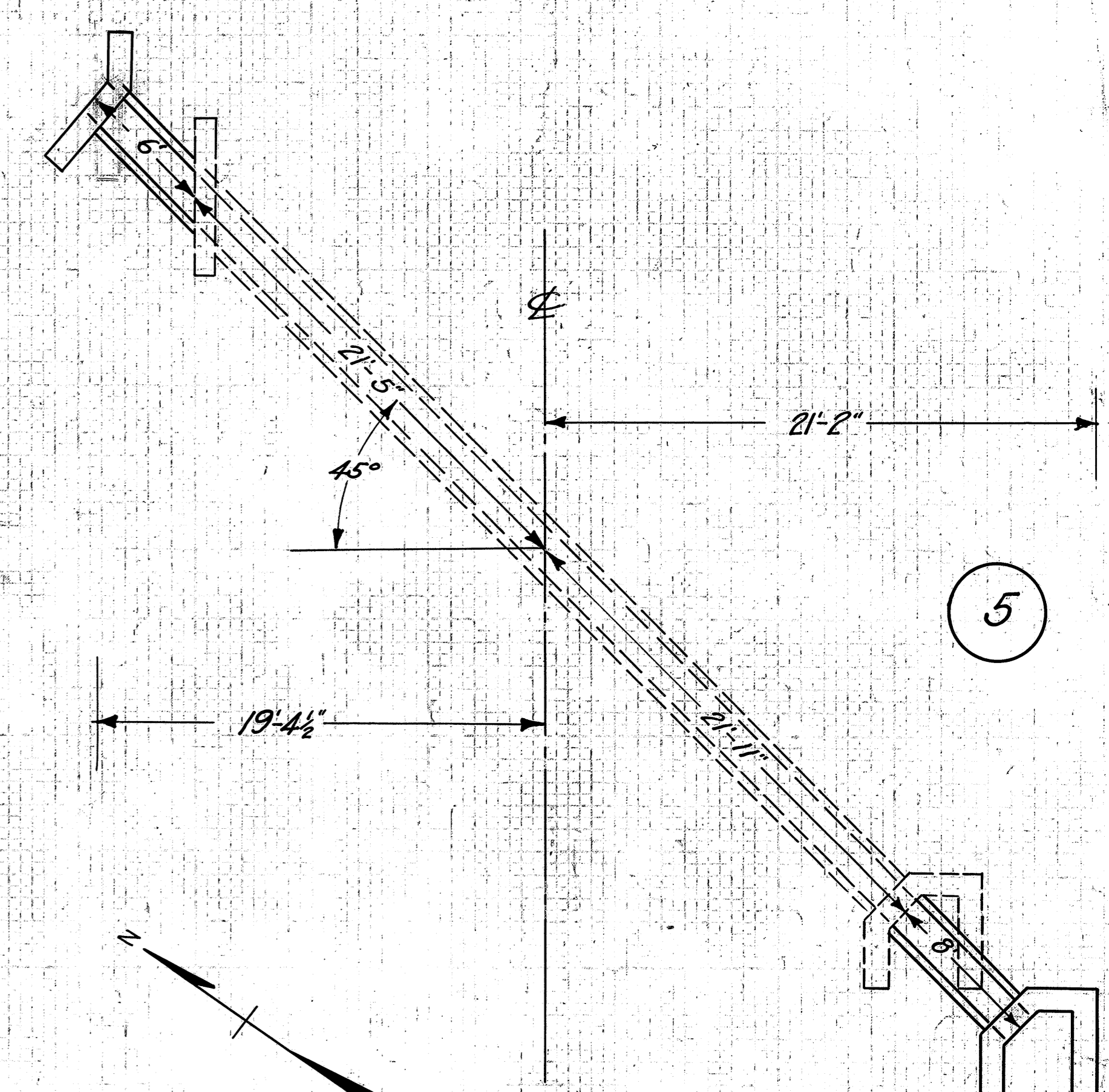


**CULVERT DATA**  
 Type Std. Box Culvert Dr. #301  
 Size 3' x 3' x 10'  
 Work Req'd. Extend existing Culvert 5' on Right and 5' on Left with Std. box Culvert.

**EST. QUANTITIES**  
 Excav. 8.0 Cu. Yds.  
 Conc. 1-5 1/2 8.3 Cu. Yds.  
 Reinf. Steel 255 Lbs.  
 3/4" x 24" φ Dowels 24 Pcs.

Drawn by J.E.R.  
 Date 2-26-30  
 Checked by \_\_\_\_\_  
 Date \_\_\_\_\_  
 Div. Engr.

STA. 232+47

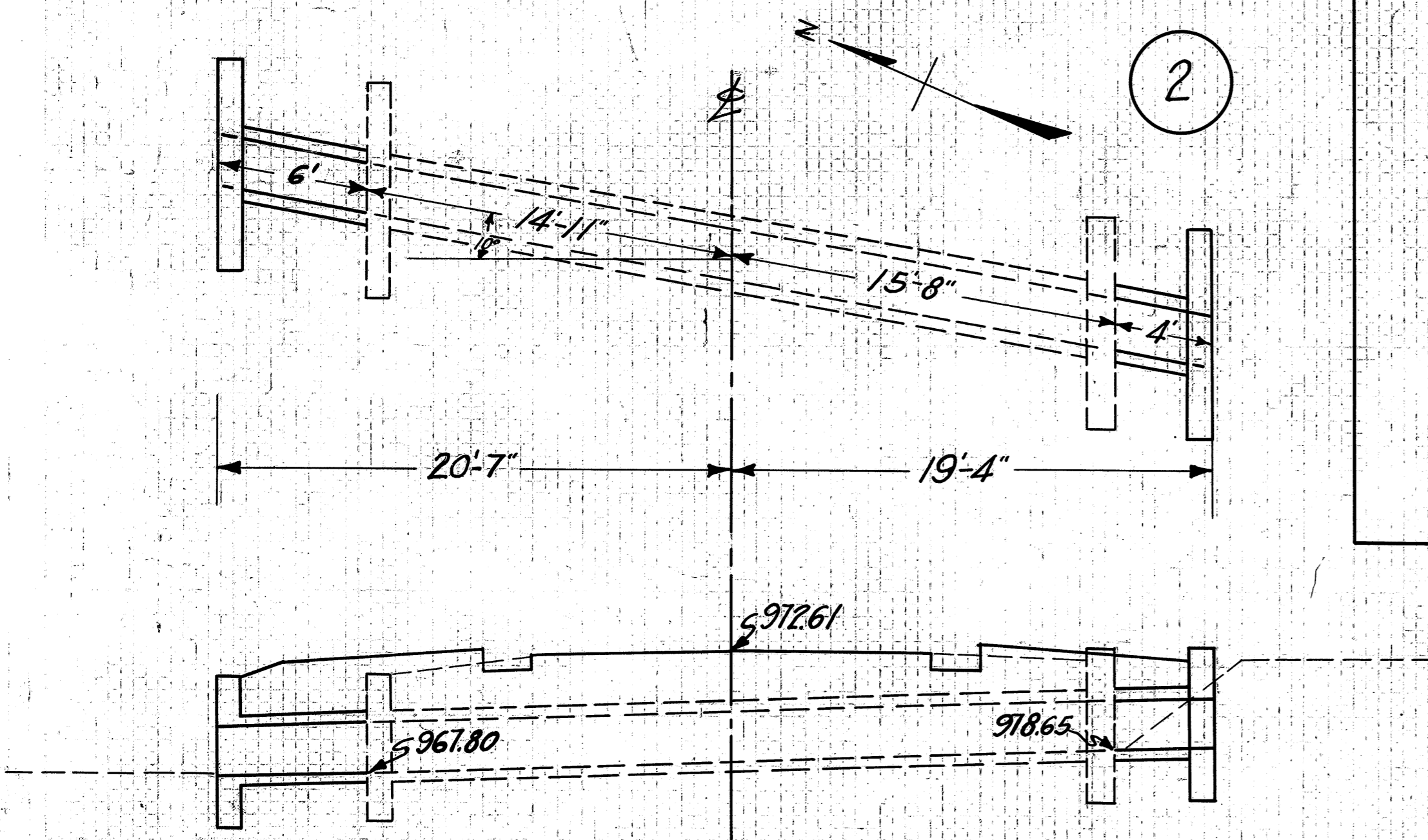
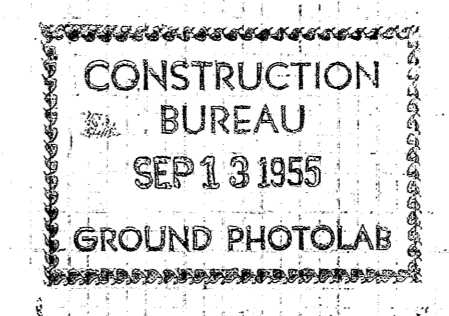


**CULVERT DATA**  
 Type Std. V.S.P. Culvert Dr. #300  
 Size 18" x 14"  
 Work Req'd. Extend existing Culvert 8' on Rt. & 6' on Lt. with 18" C.I.P. Build Std. Hillside headwall on Left and Std. Hillside headwall on Rt. Clean inlet and outlet. Remove 1' of top right headwall and all of outside wing.

**EST. QUANTITIES**  
 Excav. 6.0 Cu. Yds.  
 Conc. 1-5 1/2 3.0 Cu. Yds.  
 Conc. 1-8 1.9 Cu. Yds.  
 Reinf. Steel 45 Lbs.  
 18" V.S.P. 14 Lin. Ft.  
 Old Conc. to be removed 1.0 Cu. Yds.

Drawn by J.E.R.  
 Date 2-26-30  
 Checked by \_\_\_\_\_  
 Date \_\_\_\_\_  
 Div. Engr.

STA. 241+8



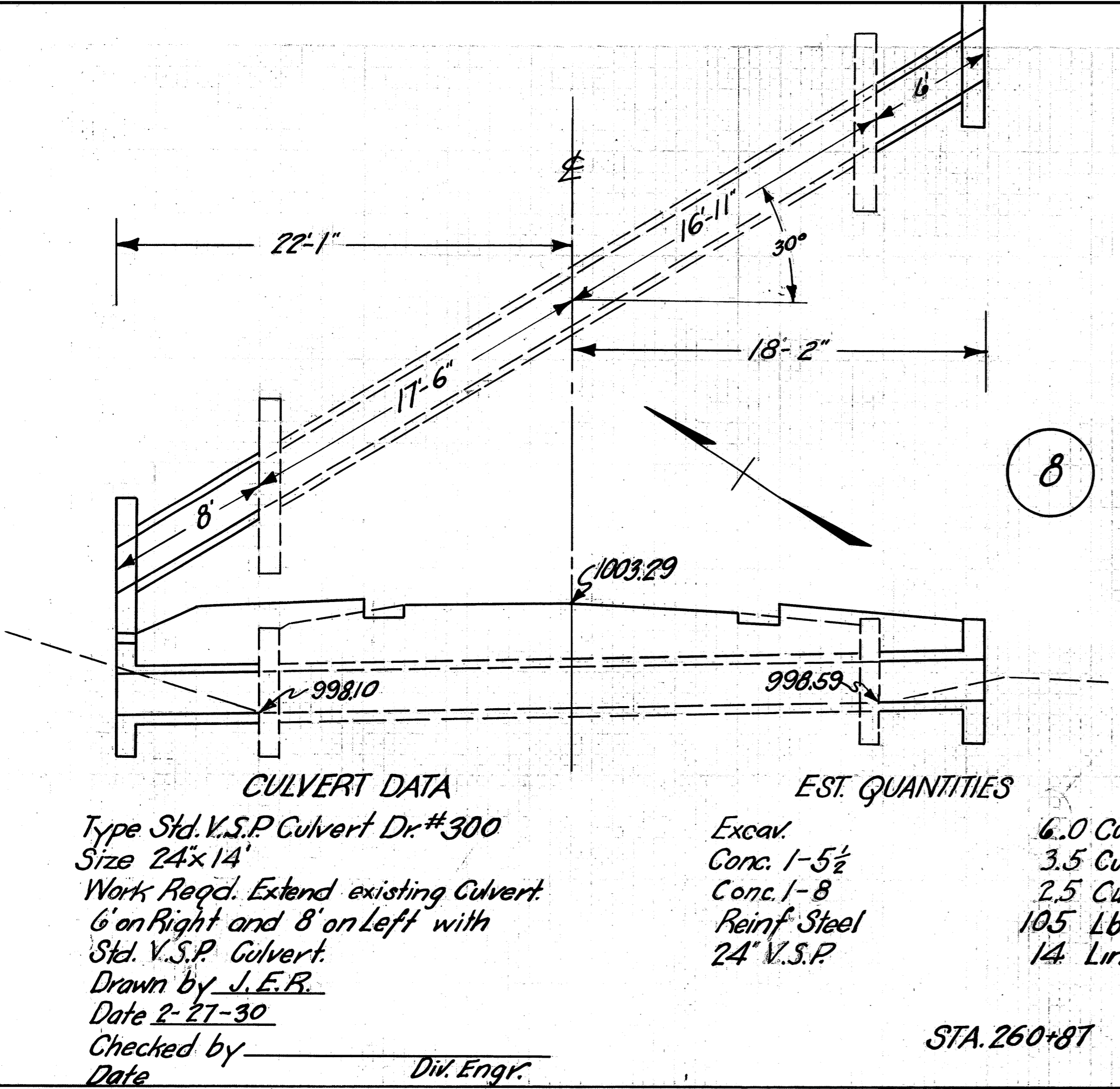
**CULVERT DATA**  
 Type Std. V.S.P. Cul. Dr. #300  
 Size 24" x 10"  
 Work Req'd. Extend Existing Culvert 6' on Lt. and 4' on Right with Std. V.S.P. Culvert Remove 1 ft. of top existing Right headwall clean inlet.  
 Drawn by J.E.R.  
 Date 2-26-30  
 Checked by \_\_\_\_\_  
 Date \_\_\_\_\_  
 Div. Engr.

**EST. QUANTITIES**  
 Excav. 6.0 Cu. Yds.  
 Conc. 1-5 1/2 3.5 Cu. Yds.  
 Conc. 1-8 1.7 Cu. Yds.  
 Reinf. Steel 105 Lbs.  
 24" V.S.P. 10 Lin. Ft.  
 Old Conc. to be removed 0.3 Cu. Yds.

STA. 221+35

FED.AID DIST. NO.	STATE	FED.AID PROJECT	FISCAL YEAR	2 8
10	OHIO	390F	1930	

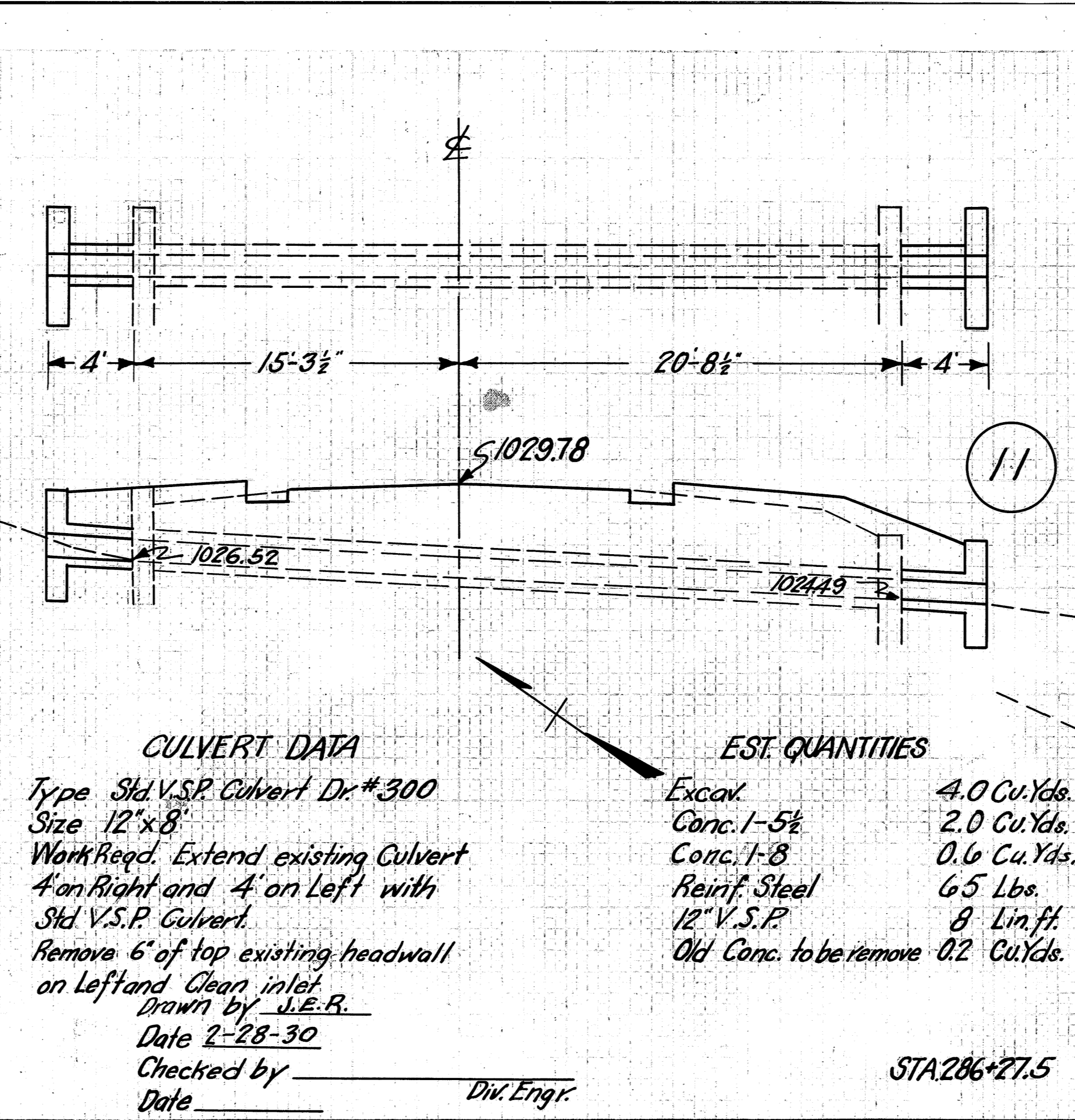
SH.(C.H.)540 SEC. 1-J<sup>2</sup>  
WAYNE COUNTY



**CULVERT DATA**  
Type Std. V.S.P. Culvert Dr. #300  
Size 24"x14"  
Work Req'd. Extend existing Culvert 6' on Right and 8' on Left with Std. V.S.P. Culvert.  
Drawn by J.E.R.  
Date 2-27-30  
Checked by \_\_\_\_\_  
Date \_\_\_\_\_  
Div. Engr.

**EST. QUANTITIES**  
Excav. 6.0 Cu.Yds.  
Conc. 1-5 1/2 3.5 Cu.Yds.  
Conc. 1-8 2.5 Cu.Yds.  
Reinf. Steel 105 Lbs.  
24" V.S.P. 14 Lin.Ft.

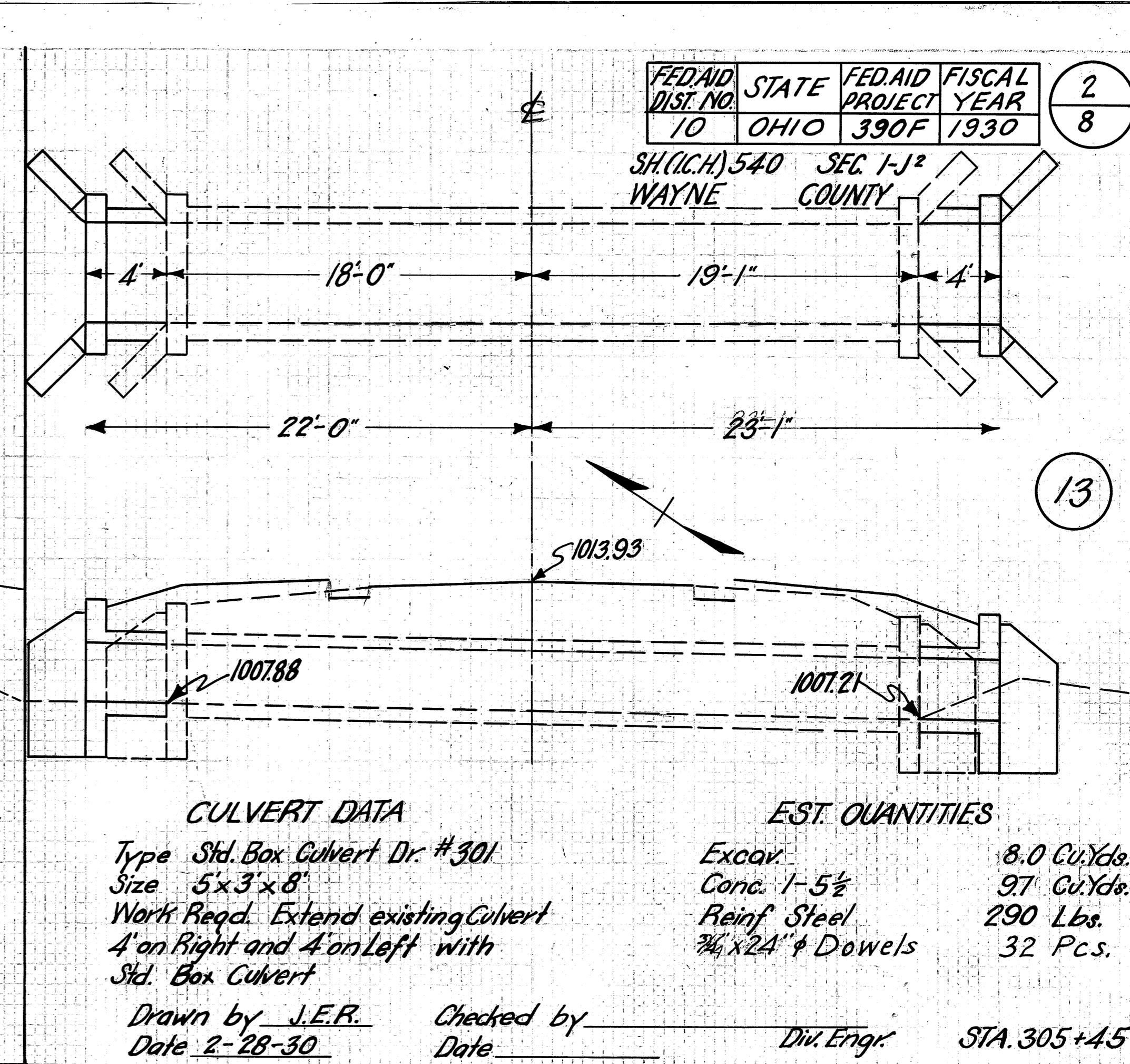
STA. 260+87



**CULVERT DATA**  
Type Std. V.S.P. Culvert Dr. #300  
Size 12"x8"  
Work Req'd. Extend existing Culvert 4' on Right and 4' on Left with Std. V.S.P. Culvert.  
Remove 6' of top existing headwall on Left and Clean inlet.  
Drawn by J.E.R.  
Date 2-28-30  
Checked by \_\_\_\_\_  
Date \_\_\_\_\_  
Div. Engr.

**EST. QUANTITIES**  
Excav. 4.0 Cu.Yds.  
Conc. 1-5 1/2 2.0 Cu.Yds.  
Conc. 1-8 0.6 Cu.Yds.  
Reinf. Steel 65 Lbs.  
12" V.S.P. 8 Lin.Ft.  
Old Conc. to be remove 0.2 Cu.Yds.

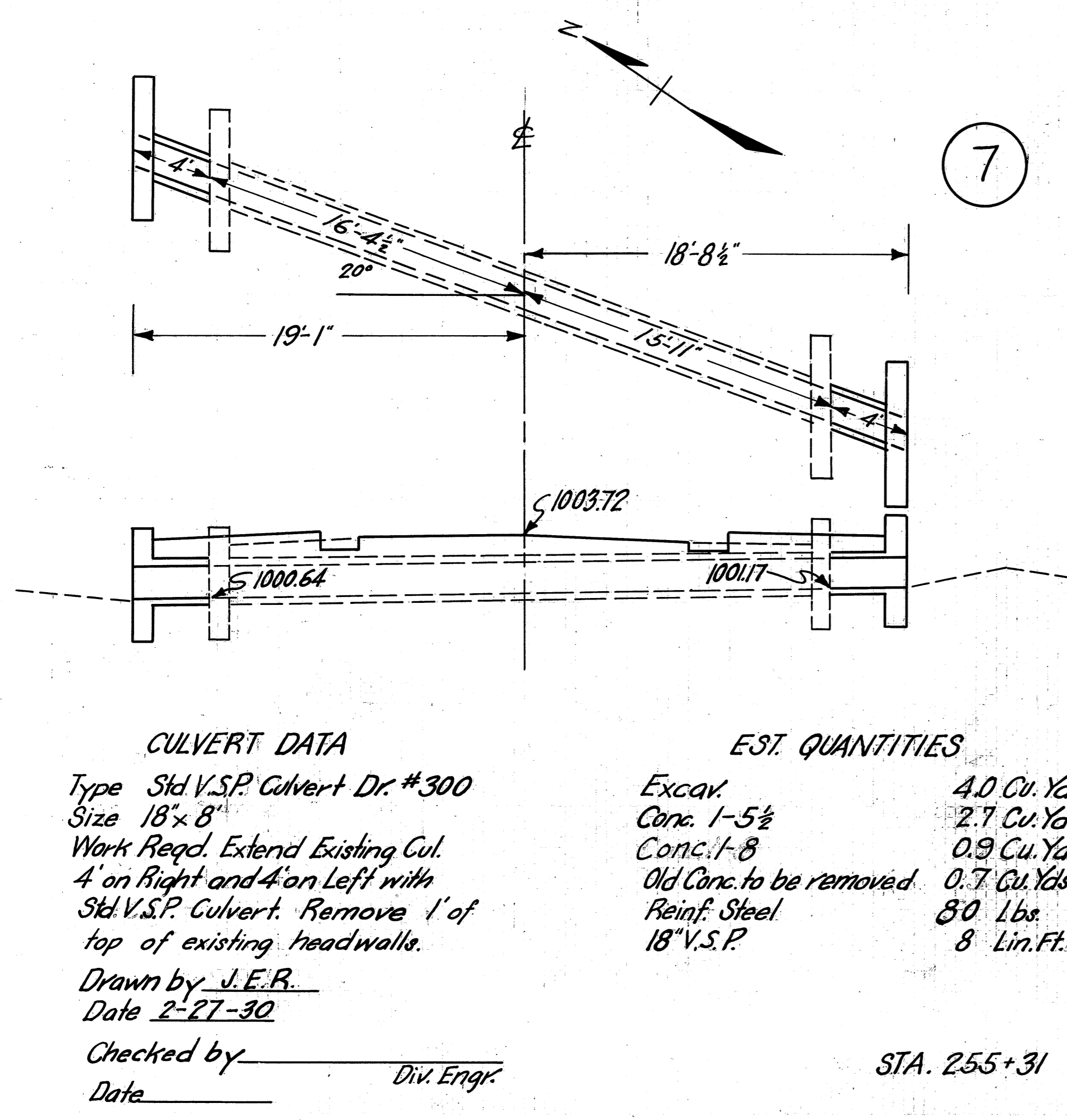
STA. 286+27.5



**CULVERT DATA**  
Type Std. Box Culvert Dr. #301  
Size 5"x3"x8"  
Work Req'd. Extend existing Culvert 4' on Right and 4' on Left with Std. Box Culvert.  
Drawn by J.E.R.  
Date 2-28-30  
Checked by \_\_\_\_\_  
Date \_\_\_\_\_  
Div. Engr.

**EST. QUANTITIES**  
Excav. 8.0 Cu.Yds.  
Conc. 1-5 1/2 97 Cu.Yds.  
Reinf. Steel 290 Lbs.  
3/4"x24" Dowels 32 Pcs.

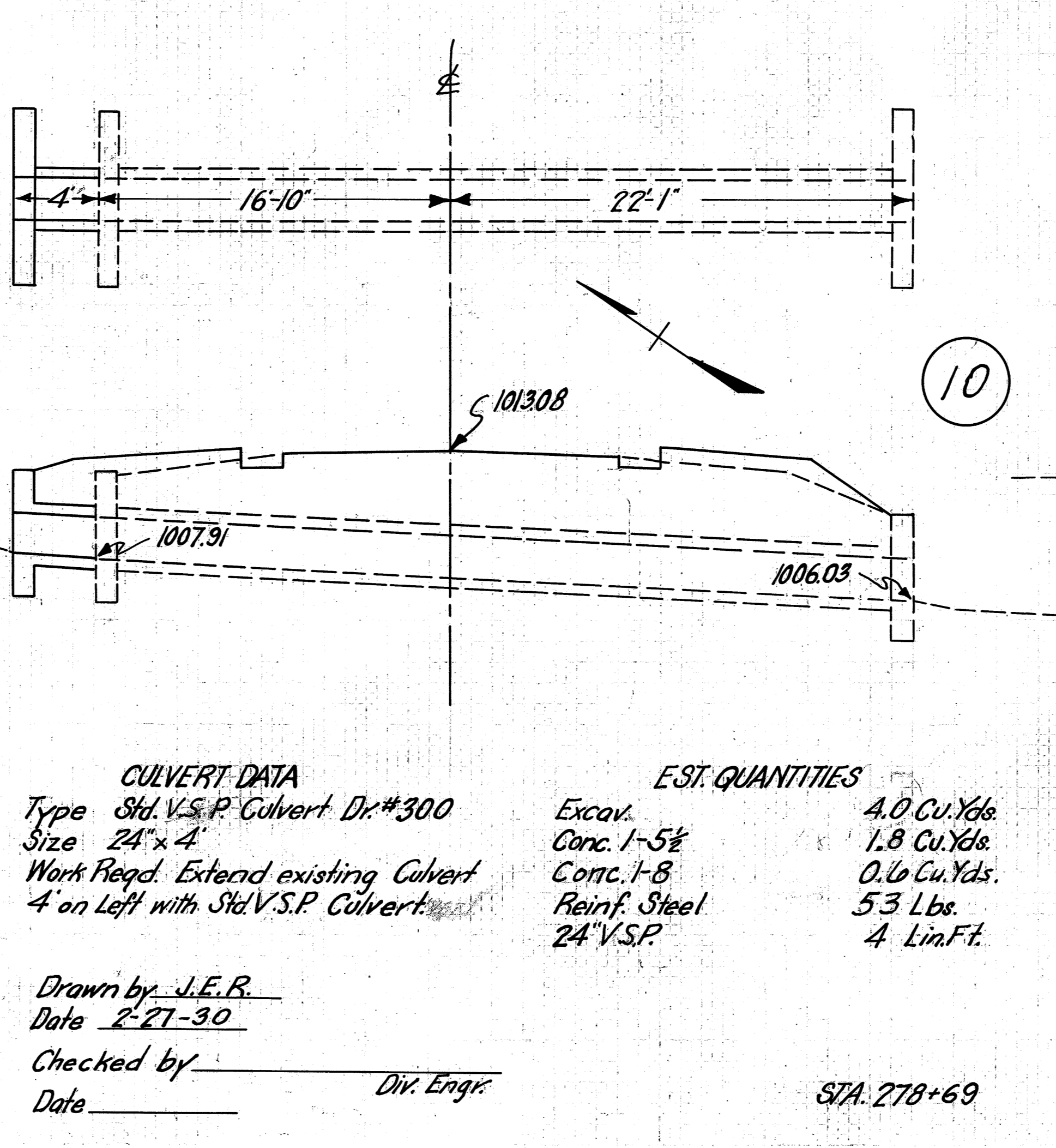
STA. 305+45



**CULVERT DATA**  
Type Std. V.S.P. Culvert Dr. #300  
Size 18"x8"  
Work Req'd. Extend Existing Cul. 4' on Right and 4' on Left with Std. V.S.P. Culvert. Remove 1' of top of existing headwalls.  
Drawn by J.E.R.  
Date 2-27-30  
Checked by \_\_\_\_\_  
Date \_\_\_\_\_  
Div. Engr.

**EST. QUANTITIES**  
Excav. 4.0 Cu.Yds.  
Conc. 1-5 1/2 2.7 Cu.Yds.  
Conc. 1-8 0.9 Cu.Yds.  
Old Conc. to be removed 0.7 Cu.Yds.  
Reinf. Steel 80 Lbs.  
18" V.S.P. 8 Lin.Ft.

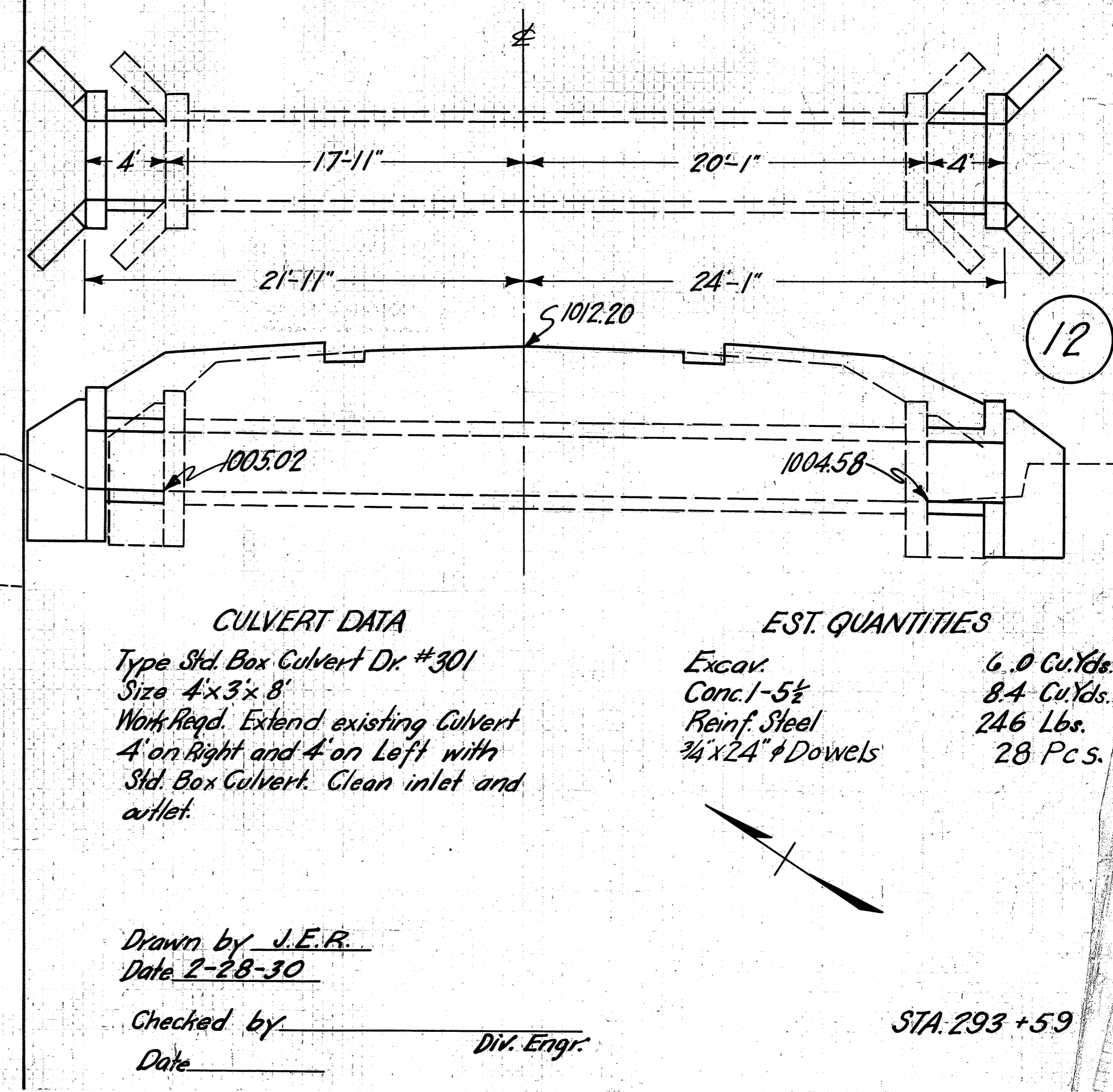
STA. 255+31



**CULVERT DATA**  
Type Std. V.S.P. Culvert Dr. #300  
Size 24"x4"  
Work Req'd. Extend existing Culvert 4' on Left with Std. V.S.P. Culvert.  
Drawn by J.E.R.  
Date 2-27-30  
Checked by \_\_\_\_\_  
Date \_\_\_\_\_  
Div. Engr.

**EST. QUANTITIES**  
Excav. 4.0 Cu.Yds.  
Conc. 1-5 1/2 1.8 Cu.Yds.  
Conc. 1-8 0.6 Cu.Yds.  
Reinf. Steel 53 Lbs.  
24" V.S.P. 4 Lin.Ft.

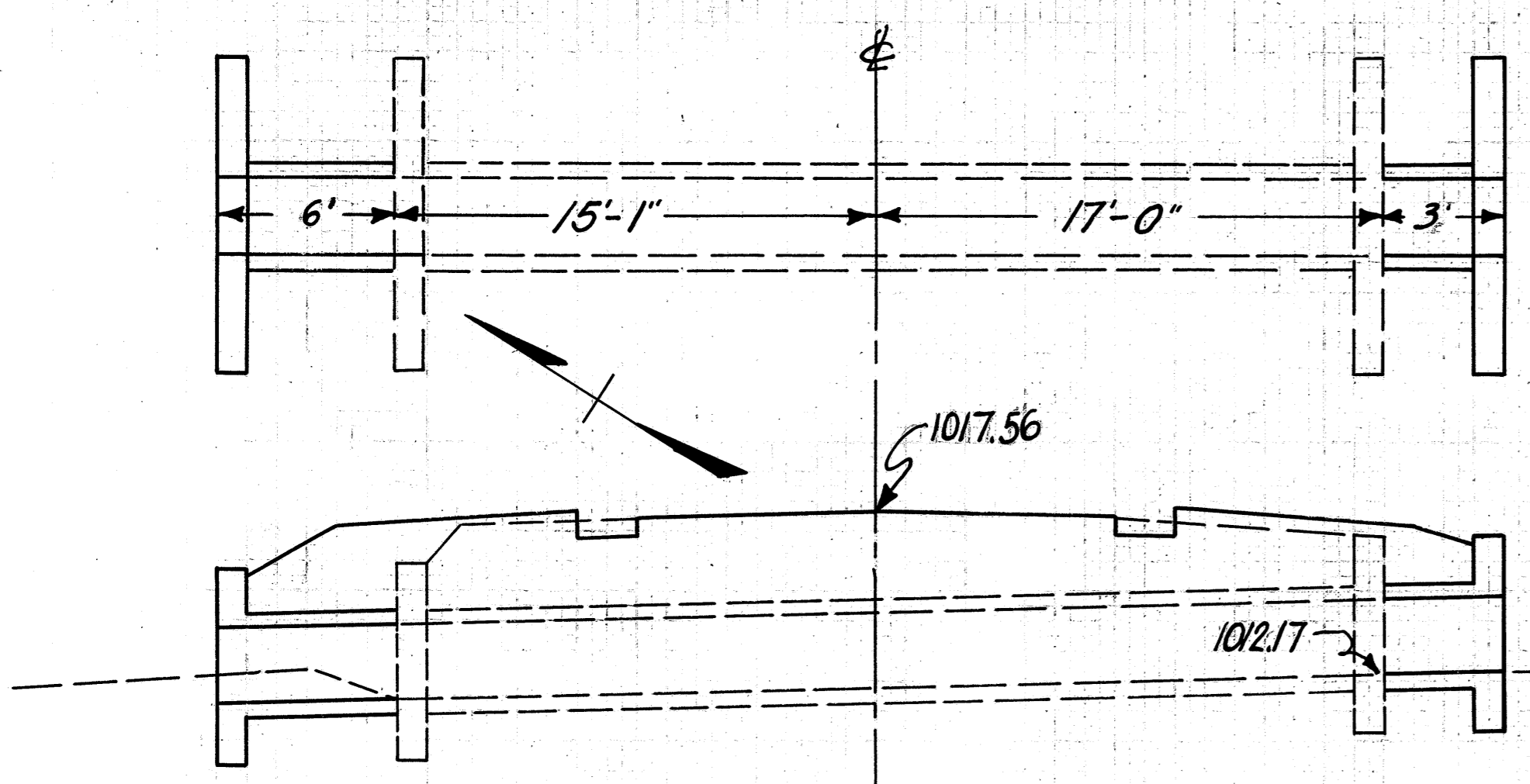
STA. 278+69



**CULVERT DATA**  
Type Std. Box Culvert Dr. #301  
Size 4"x3"x8"  
Work Req'd. Extend existing Culvert 4' on Right and 4' on Left with Std. Box Culvert. Clean inlet and outlet.  
Drawn by J.E.R.  
Date 2-28-30  
Checked by \_\_\_\_\_  
Date \_\_\_\_\_  
Div. Engr.

**EST. QUANTITIES**  
Excav. 6.0 Cu.Yds.  
Conc. 1-5 1/2 8.4 Cu.Yds.  
Reinf. Steel 246 Lbs.  
3/4"x24" Dowels 28 Pcs.

STA. 293+59

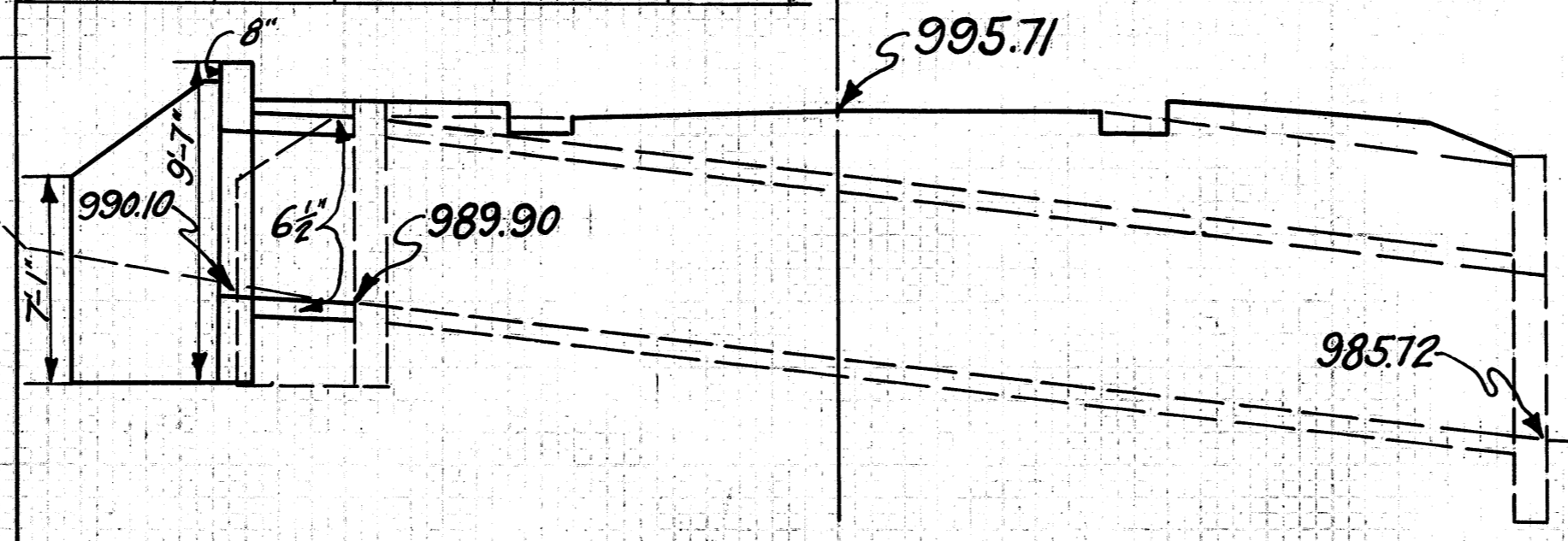
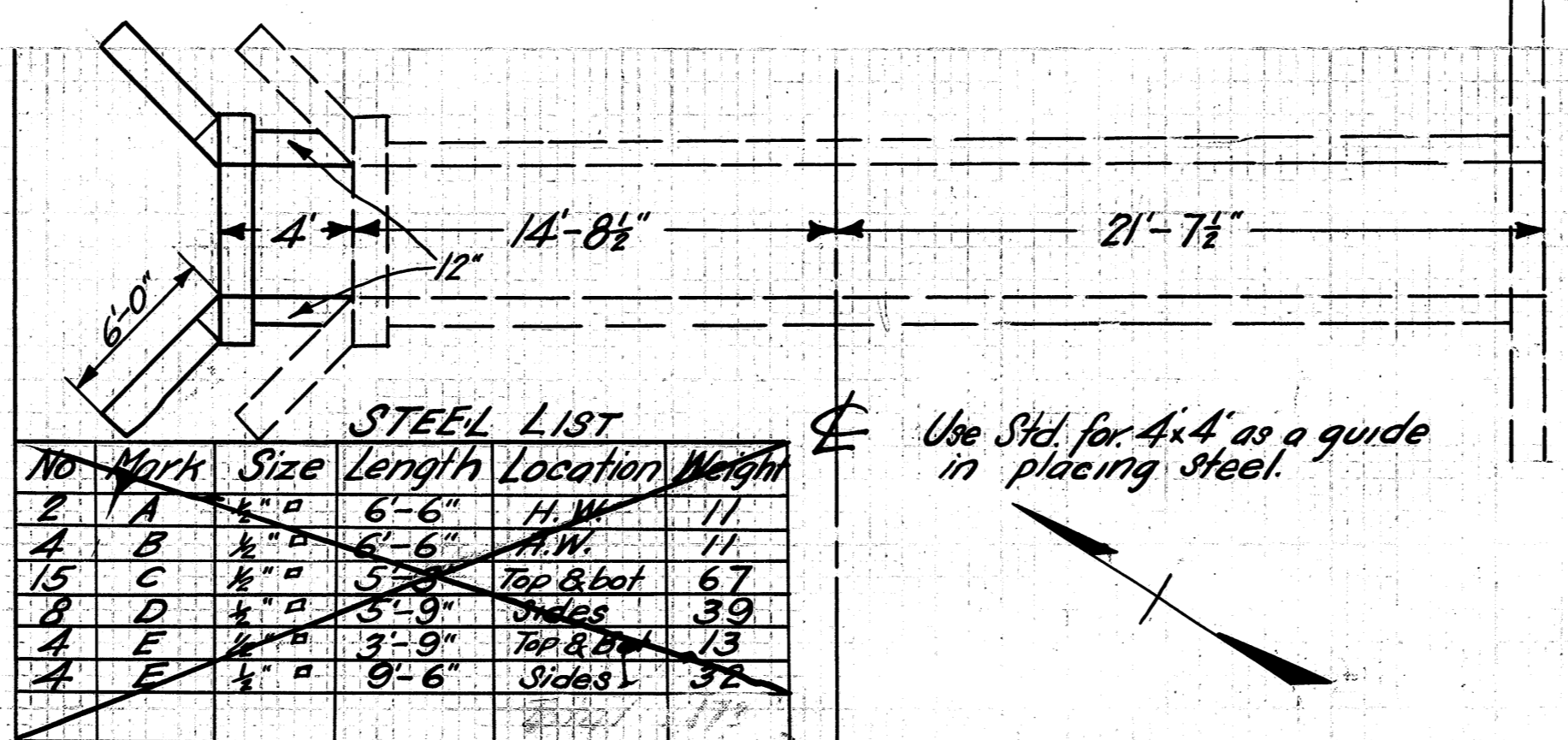


**CULVERT DATA**  
 Type Std. V.S.P. Culvert Dr. #300  
 Size 30"x 9"  
 Work Req'd. Extend existing Culvert 3' on Right and 6' on Left with Std. V.S.P. Culvert and Clean outlet.

**EST. QUANTITIES**  
 Excav. 6.0 Cu. Yds.  
 Conc. 1-5 1/2 4.6 Cu. Yds.  
 Conc. 1-8 1.9 Cu. Yds.  
 Reinf. Steel 125 Lbs.  
 30" V.S.P. 9 Lin. Ft.  
 Masonry removal 0.5 Cu. Yds.

Drawn by J.E.R.  
 Date 3-1-30  
 Checked by \_\_\_\_\_ Div. Engr.  
 Date \_\_\_\_\_

(16)  
 STA. 325+15

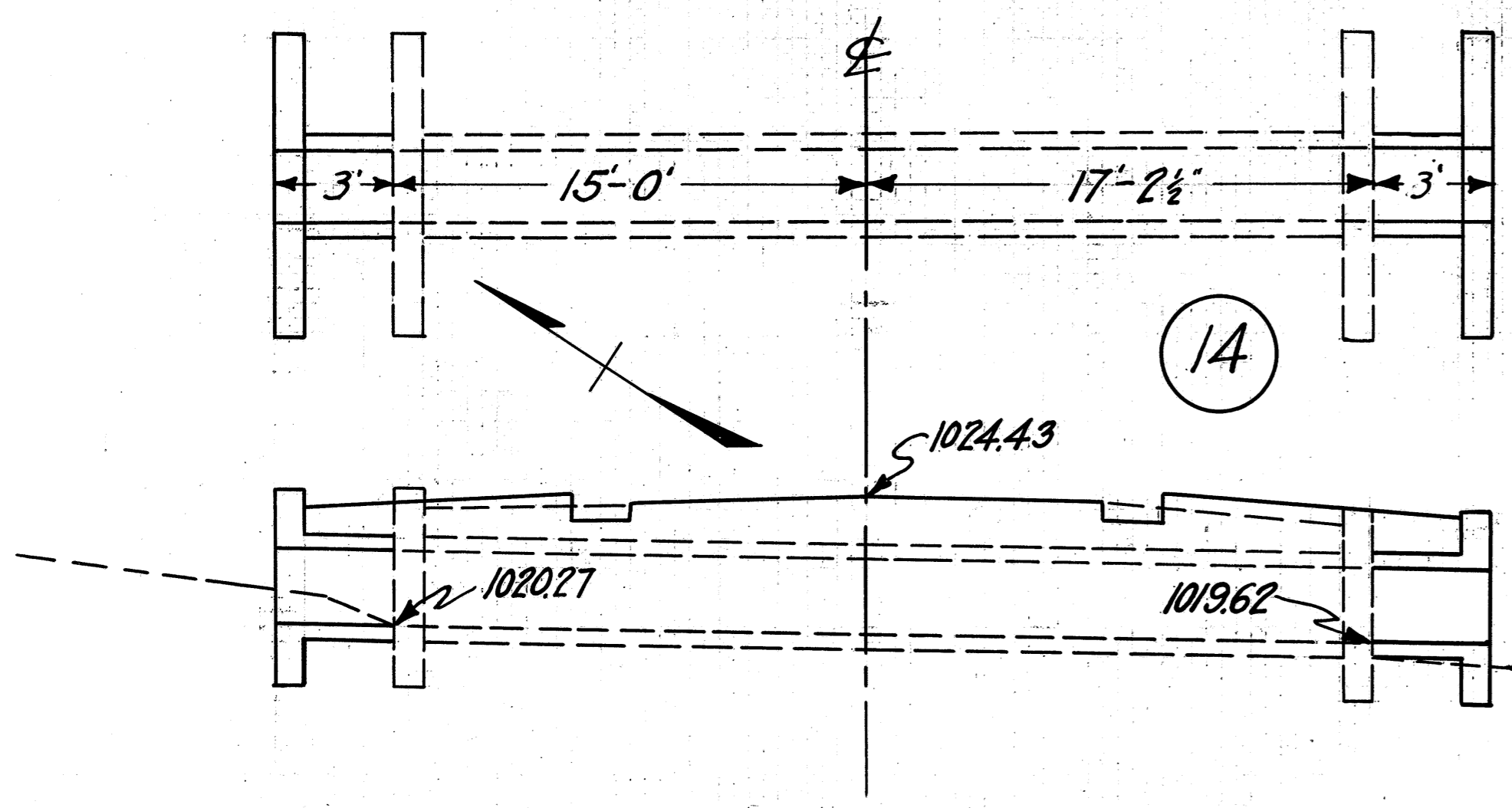


**CULVERT DATA**  
 Type Modified Std. Box Culvert Dr. #301  
 Size 4' x 4' x 4'  
 Work Req'd. Extend existing Culvert 4' on Left with Std. Box Culvert Remove 6" of top Left headwall.

**EST. QUANTITIES**  
 Excav. 8.0 Cu. Yds.  
 Conc. 1-5 1/2 5.4 Cu. Yds.  
 Reinf. Steel 172 Lbs.  
 Old Conc. to be removed 0.2 Cu. Yds.  
 3/4" x 24" Dowels 12 Pcs.

Drawn by J.E.R. Checked by \_\_\_\_\_ Div. Engr.  
 Date 3-3-30 Date \_\_\_\_\_

STA. 337+50

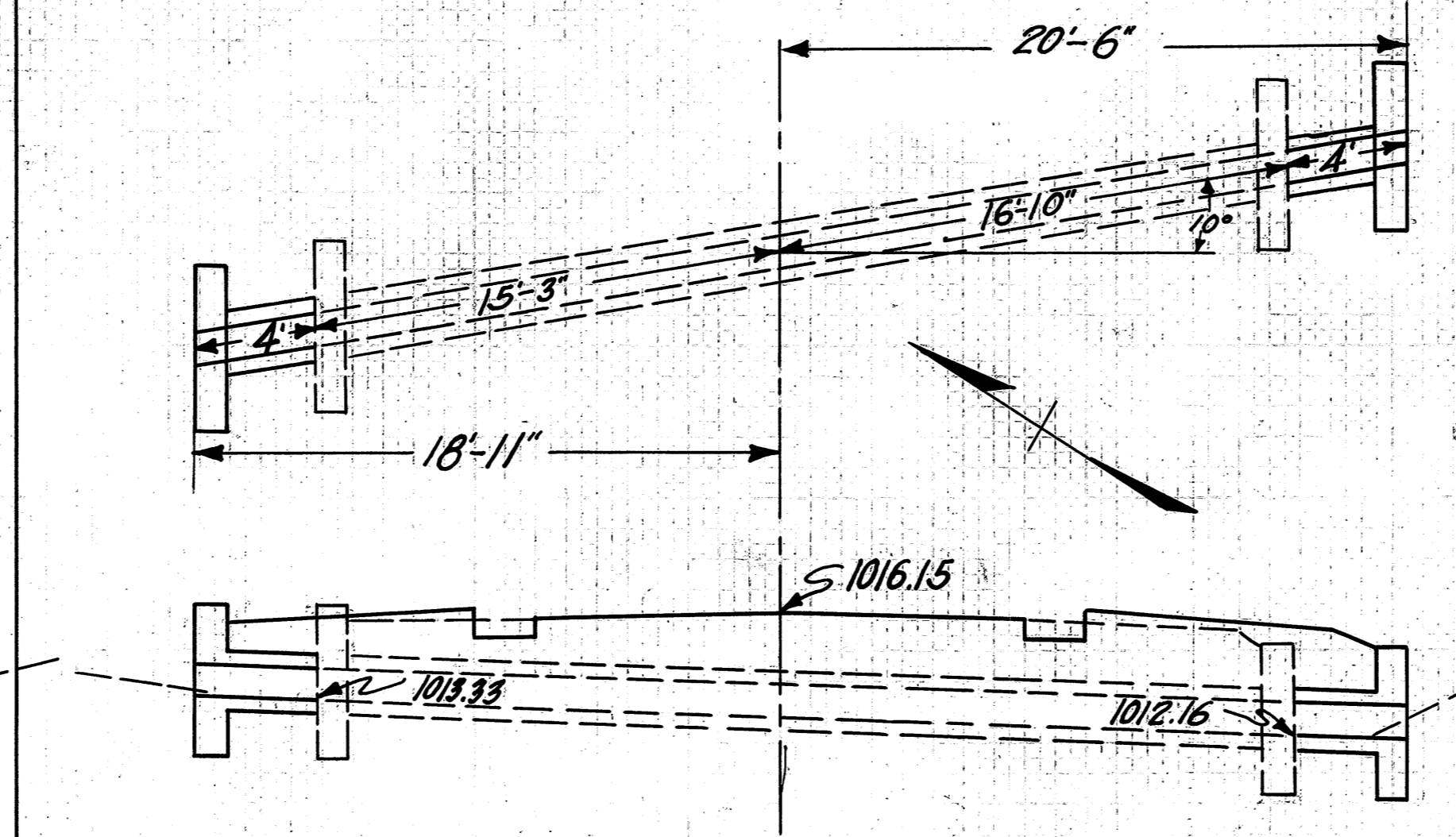


**CULVERT DATA**  
 Type Std. V.S.P. Culvert Dr. #300  
 Size 30"x 6"  
 Work Req'd. Extend existing Culvert 3' on Right 3' on Left with Std. V.S.P. Culvert. Remove 1' of top on Left and 6' on Right of existing headwalls. Clean inlet

**EST. QUANTITIES**  
 Excav. 6.0 Cu. Yds.  
 Conc. 1-5 1/2 4.6 Cu. Yds.  
 Conc. 1-8 1.1 Cu. Yds.  
 Reinf. Steel 125 Lbs.  
 30" V.S.P. 6 Lin. Ft.  
 Old Conc. to be removed 0.6 Cu. Yds.

Drawn by J.E.R.  
 Date 2-28-30  
 Checked by \_\_\_\_\_ Div. Engr.  
 Date \_\_\_\_\_

STA. 316+99

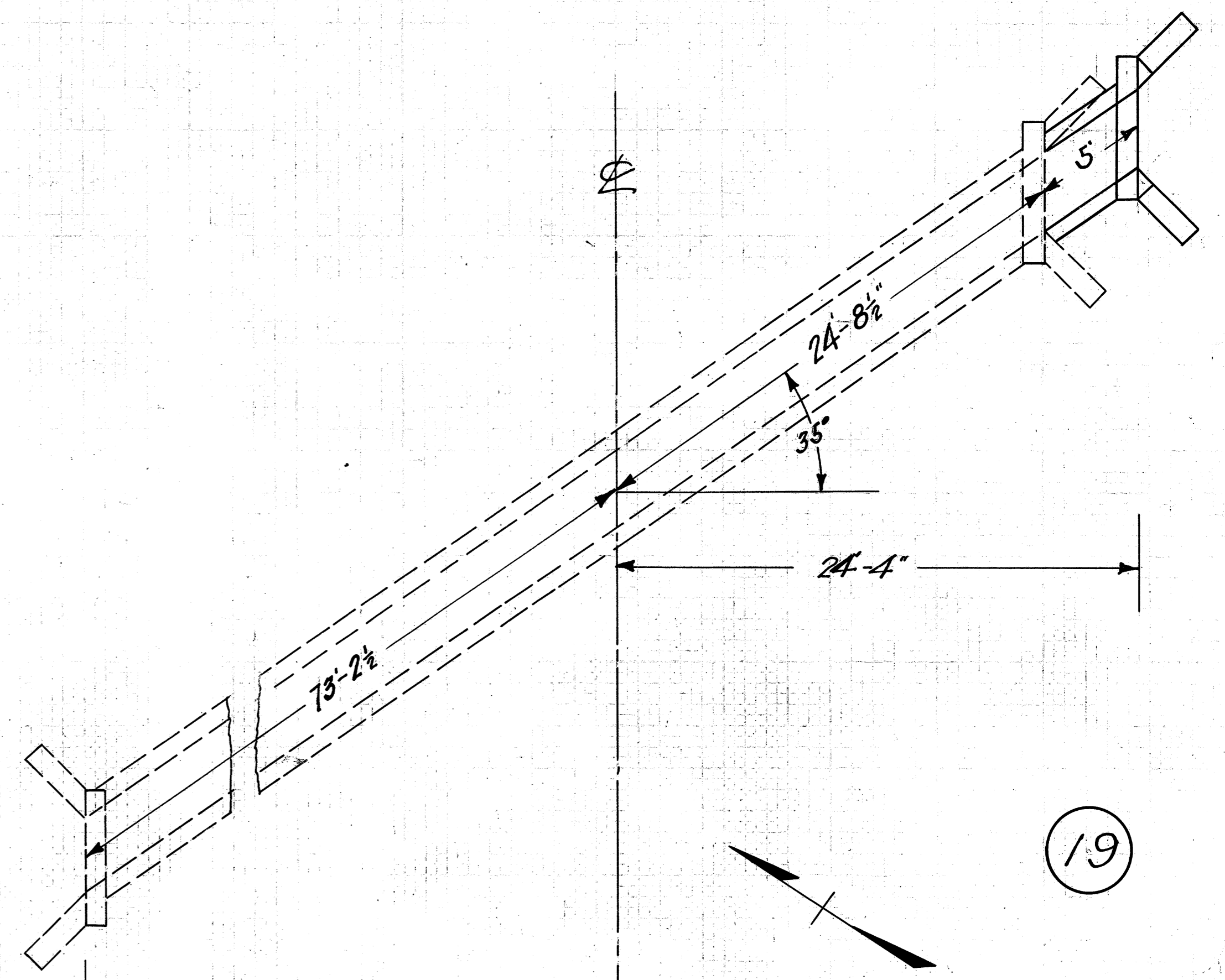


**CULVERT DATA**  
 Type Std. V.S.P. Culvert Dr. #300  
 Size 12"x 8"  
 Work Req'd. Extend existing Culvert 4' on Right and 4' on Left with Std. V.S.P. Remove 1' of top of existing Left headwall and clean outlet

**EST. QUANTITIES**  
 Excav. 51.0 Cu. Yds.  
 Conc. 1-5 1/2 2.0 Cu. Yds.  
 Conc. 1-8 0.7 Cu. Yds.  
 Reinf. Steel 65 Lbs.  
 Old Conc. to be removed 0.2 Cu. Yds.  
 12" V.S.P. 8 Lin. Ft.

Drawn by J.E.R. Checked by \_\_\_\_\_ Div. Engr.  
 Date 3-1-30 Date \_\_\_\_\_

STA. 326+03



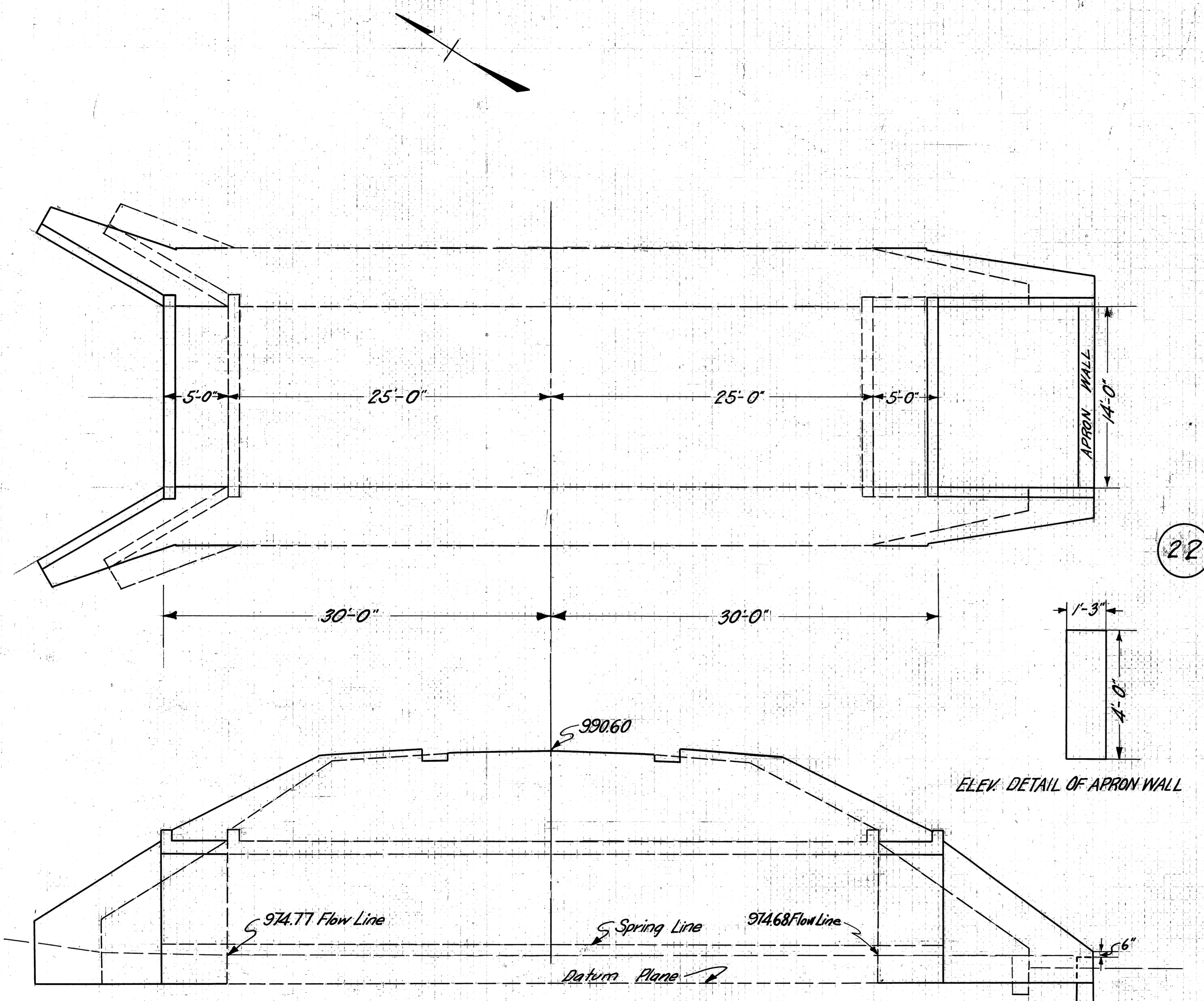
**CULVERT DATA**  
 Type Std. Box Culvert Dr. #301  
 Size 3' x 3' x 5'  
 Work Req'd. Extend Existing Culvert 5' on Right with Std. Conc. Box and Clean outlet.

**EST. QUANTITIES**  
 Excav. 6.0 Cu. Yds.  
 Conc. 1-5 1/2 4.1 Cu. Yds.  
 Reinf. Steel 127 Lbs.  
 3/4" x 24" Dowels 12 Pcs.

Drawn by J.E.R.  
 Date 3-3-30  
 Checked by \_\_\_\_\_ Div. Engr.  
 Date \_\_\_\_\_

STA. 329+44



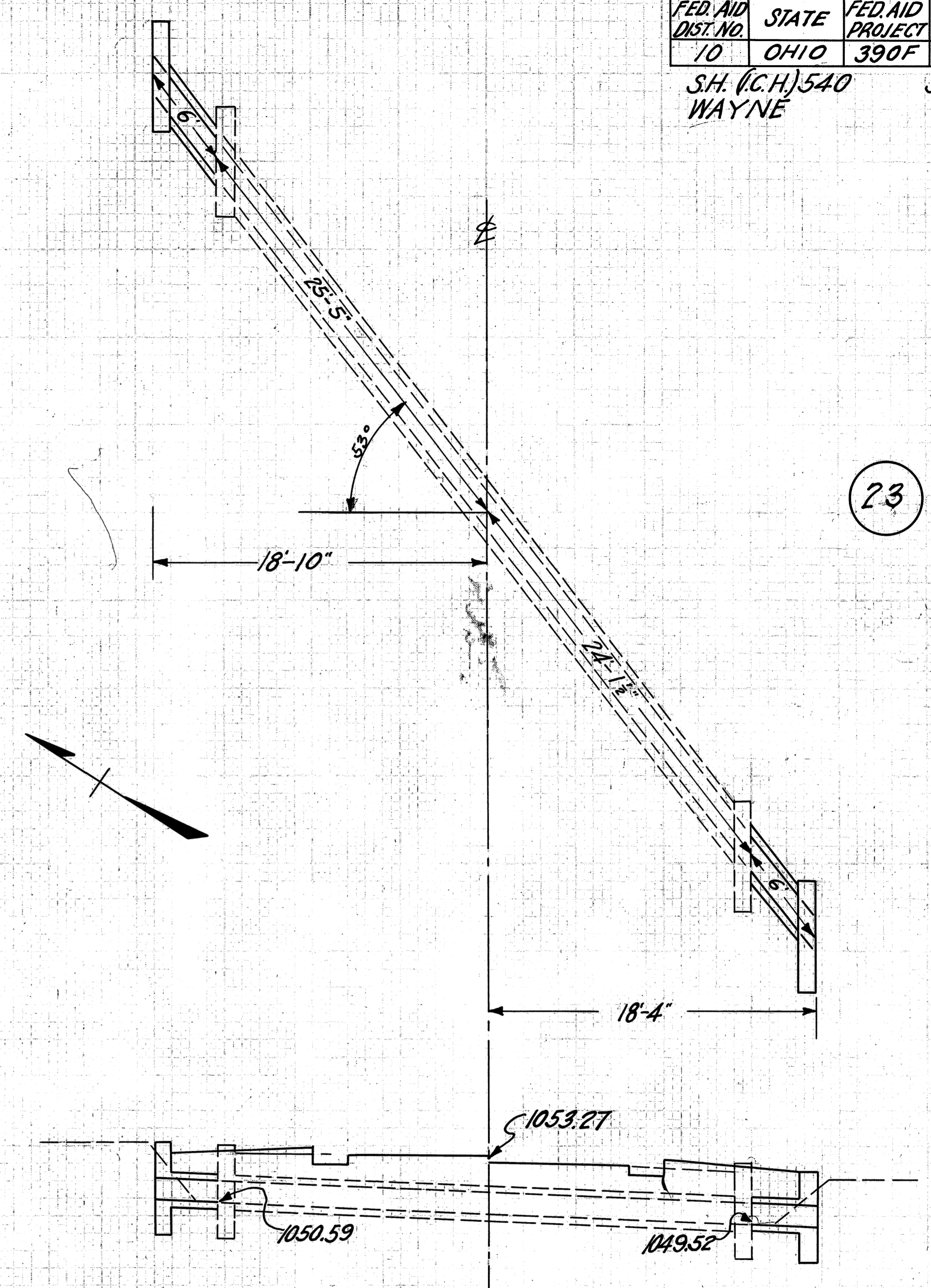


**CULVERT DATA**  
 Type: Std. Arch Culvert Dr. # G-249  
 Size: 14' Span 10' Length  
 Work Reqd. Remove Existing Wings  
 Extend 5' on Right and 5' on Left with Std. Arch

Drawn by J.E.R.  
 Date 3-7-30  
 Checked by \_\_\_\_\_  
 Date \_\_\_\_\_  
 Div. Engr.

**EST. QUANTITIES**  
 Excav. (Channel) 20.0 Cu.Yds.  
 Excav. 30.0 Cu.Yds.  
 Conc. 1-5 1/2 59.8 Cu.Yds.  
 Old Conc. to be removed 26.0 Cu.Yds.  
 3/4" x 24" φ Dowels 50 Pcs.

STA. 345+92

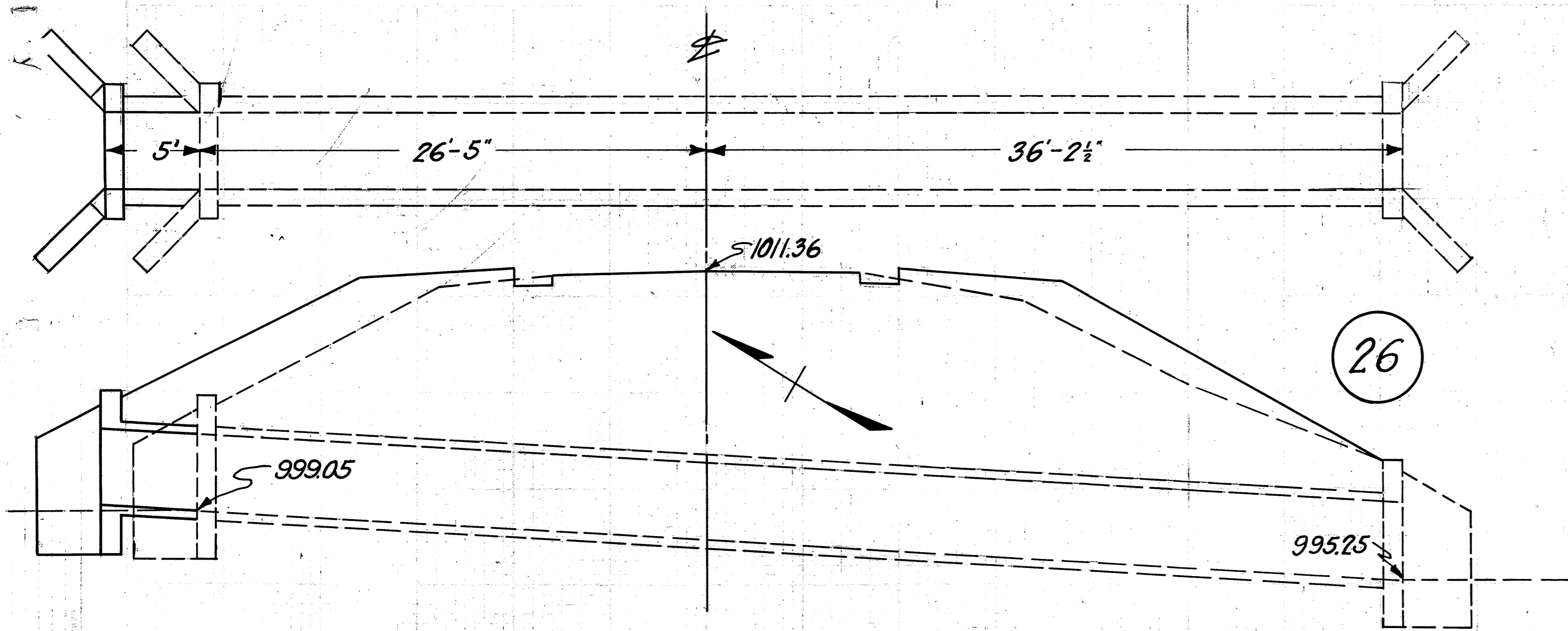


**CULVERT DATA**  
 Type: Std. V.S.P. Culvert Dr. # 300  
 Size: 15" x 12"  
 Work Reqd. Extend existing Culvert 6' on Right and 6' on Left with Std. V.S.P. Culvert. Remove 6" top of existing headwalls. Clean inlet and outlet.

Drawn by J.E.R.  
 Date 3-7-30  
 Checked by \_\_\_\_\_  
 Date \_\_\_\_\_  
 Div. Engr.

**EST QUANTITIES**  
 Excav. 6.0 Cu.Yds.  
 Conc. 1-5 1/2 2.3 Cu.Yds.  
 Conc. 1-B 1.3 Cu.Yds.  
 Reinf. Steel 70 Lbs.  
 15" V.S.P. 12 Lin. Ft.  
 Old Conc. Removed 0.3 Cu.Yds.

STA. 358+58



**CULVERT DATA**

Type Std. Box Culvert Dr. #301  
 Size 4'x4'x5'  
 Work Req'd. Extend existing Culvert 5'  
 on Left with Std. Box Culvert.

Drawn by J.E.R.  
 Date 3-8-30  
 Checked by \_\_\_\_\_  
 Date \_\_\_\_\_  
 Div. Engr.

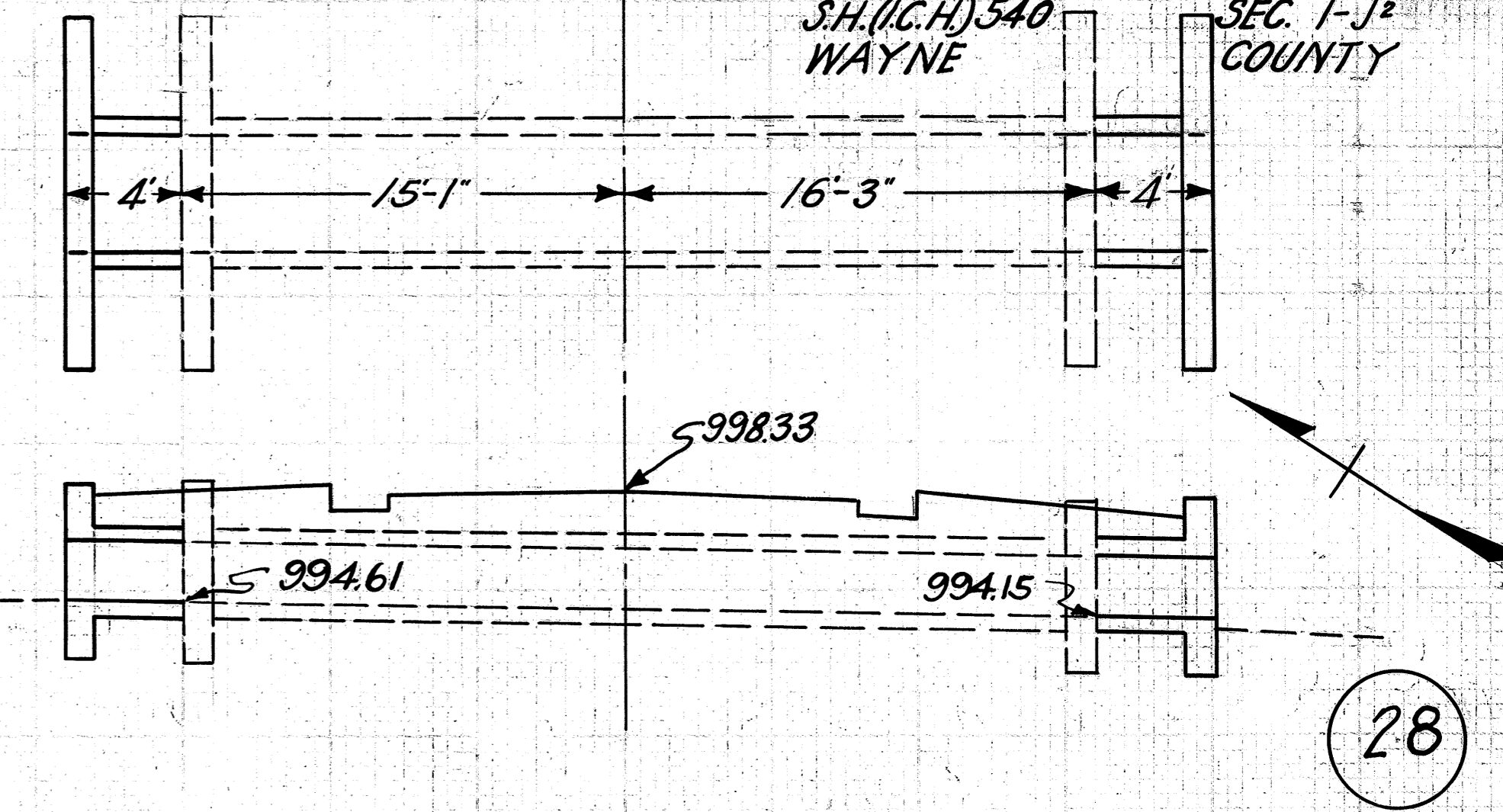
**EST. QUANTITIES**

Excav. 5.0 Cu.Yds.  
 Conc. 1-5 1/2 5.9 Cu.Yds.  
 Reinf. Steel 170 Lbs.  
 3/4" x 24" Dowels 16 Pcs.

STA. 377+63

FED. AID DIST. NO.	STATE	FED. AID PROJECT	FISCAL YEAR	5 8
10	OHIO	390F	1930	

S.H. (I.C.H.) 540 WAYNE SEC. 1-J<sup>2</sup> COUNTY



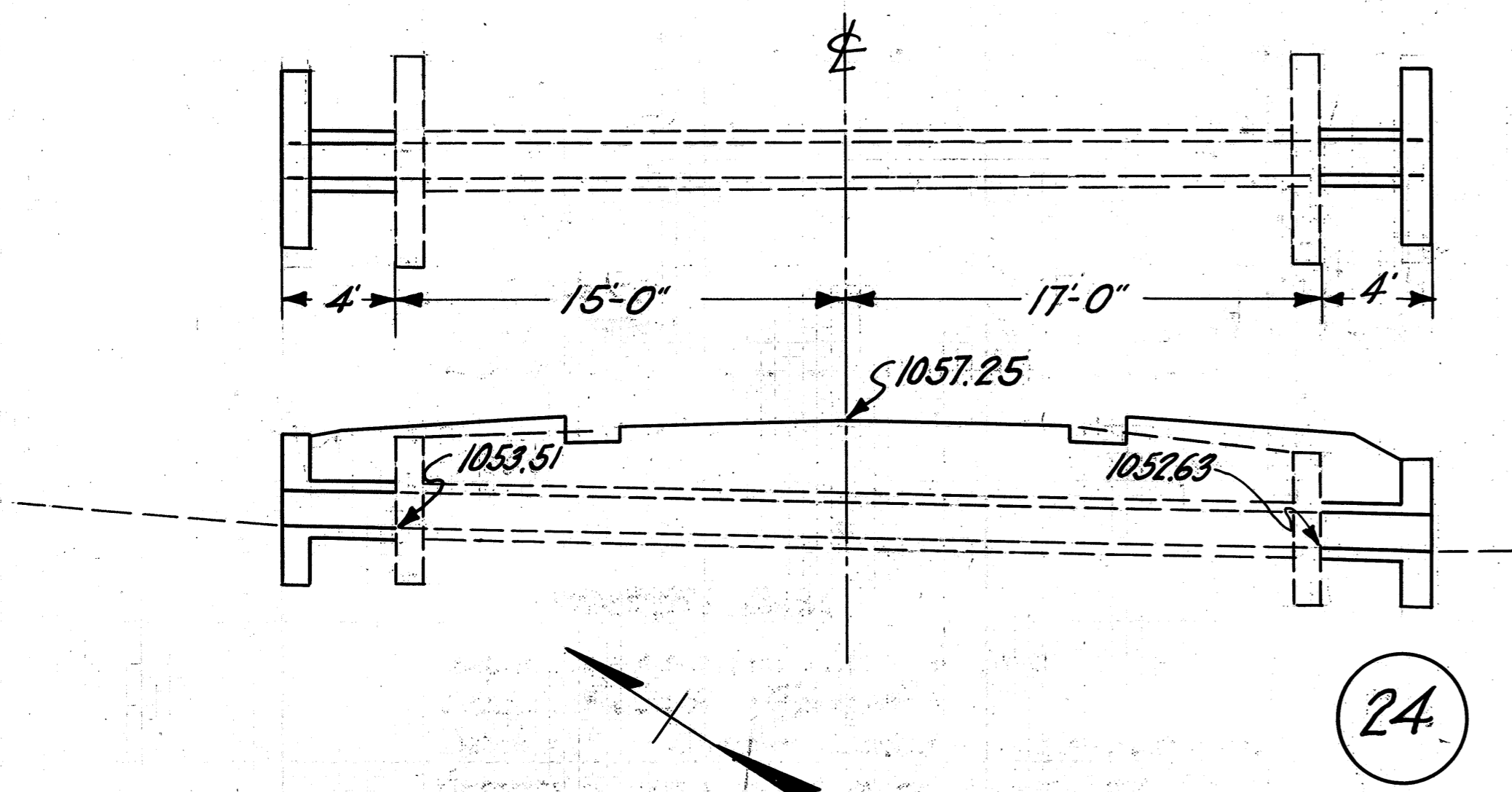
**CULVERT DATA**

Type Std. Box Culvert Dr. #301  
 Size 4'x2'x8'  
 Work Req'd. Extend existing Culvert  
 4' on Right and 4' on Left with  
 Std. Box and remove 1' of Top  
 of existing headwalls. Clean outlet.

Drawn by J.E.R.  
 Date 3-11-30  
 Checked by \_\_\_\_\_  
 Date \_\_\_\_\_  
 Div. Engr. STA. 405+85

**EST. QUANTITIES**

Excav. 12.0 Cu.Yds.  
 Conc. 1-5 1/2 6.7 Cu.Yds.  
 Reinf. Steel 265 Lbs.  
 Old Conc. to be removed 0.9 Cu.Yds.  
 3/4" x 24" Dowels 10 Pcs.



**CULVERT DATA**

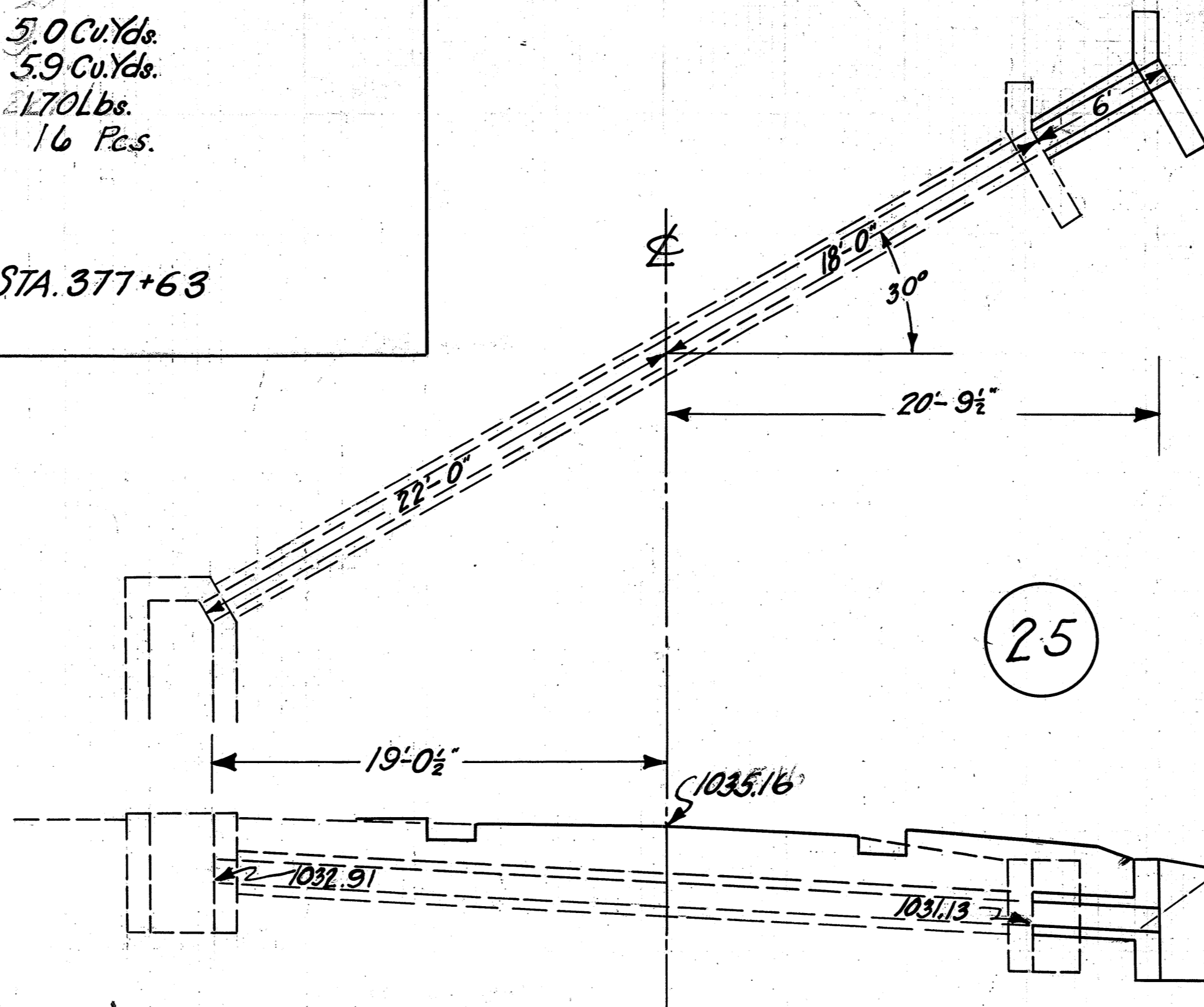
Type Std. V.S.P. Culvert Dr. #300  
 Size 15'x8'  
 Work Req'd. Extend existing Culvert  
 4' on Right and 4' on Left with  
 Std. V.S.P. Culvert.

Drawn by J.E.R.  
 Date 3-8-30  
 Checked by \_\_\_\_\_  
 Date \_\_\_\_\_  
 Div. Engr.

**EST. QUANTITIES**

Excav. 4.0 Cu.Yds.  
 Conc. 1-5 1/2 2.3 Cu.Yds.  
 Conc. 1-8 0.8 Cu.Yds.  
 Reinf. Steel 70 Lbs.  
 15" V.S.P. 8 Lin. Ft.

STA. 362+25



**CULVERT DATA**

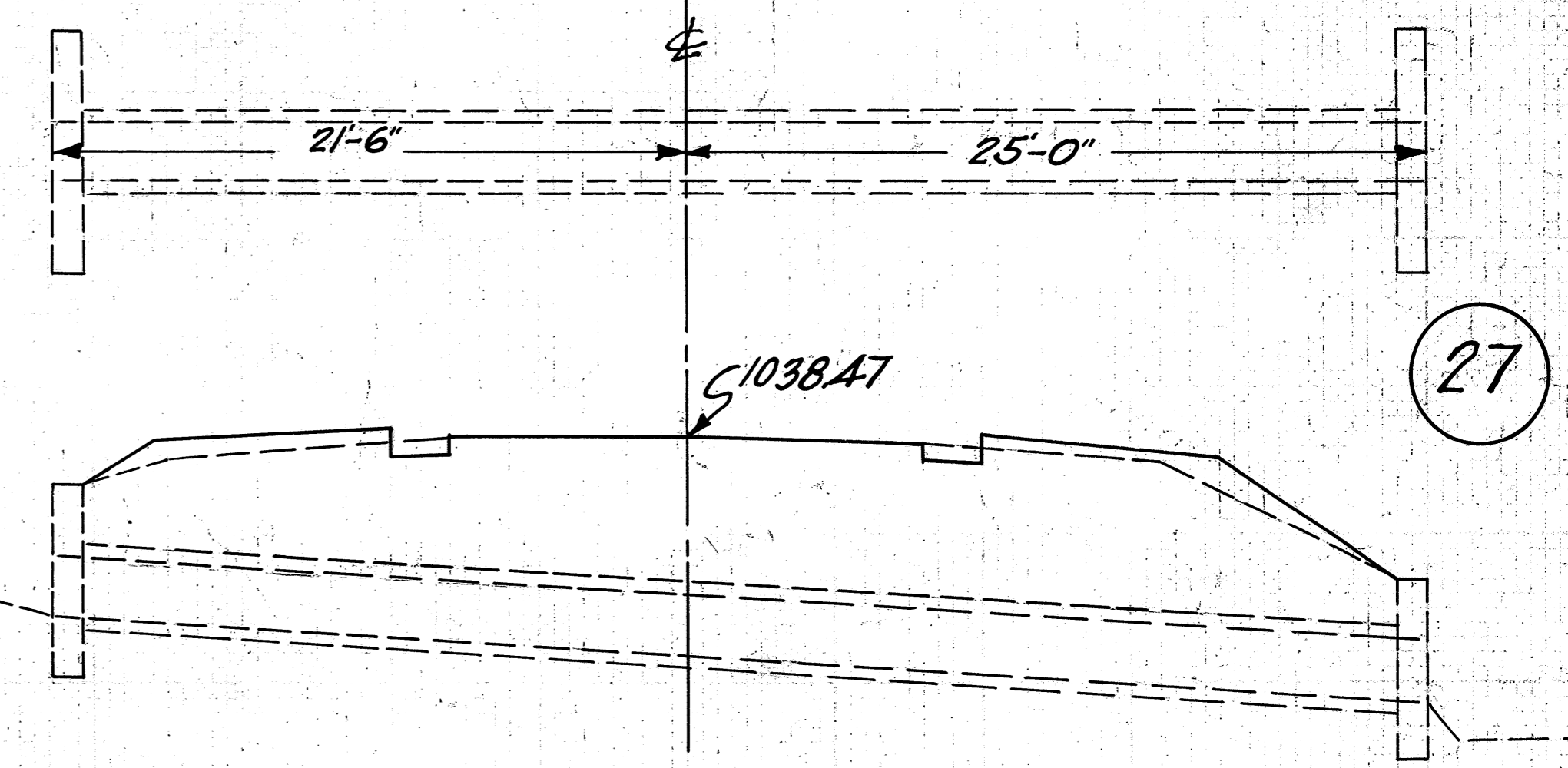
Type Std. Hillside Culvert Dr. #300  
 Size 12'x6'  
 Work Req'd. Extend existing  
 Culvert 6' on Right with Std.  
 hillside Culvert Clean outlet.

Drawn by J.E.R.  
 Date 3-11-30  
 Checked by \_\_\_\_\_  
 Date \_\_\_\_\_  
 Div. Engr.

**EST. QUANTITIES**

Excav. 6.0 Cu.Yds.  
 Conc. 1-5 1/2 1.0 Cu.Yds.  
 Conc. 1-8 0.5 Cu.Yds.  
 Reinf. Steel 12 Lbs.  
 12" V.S.P. 6 Lin. Ft.

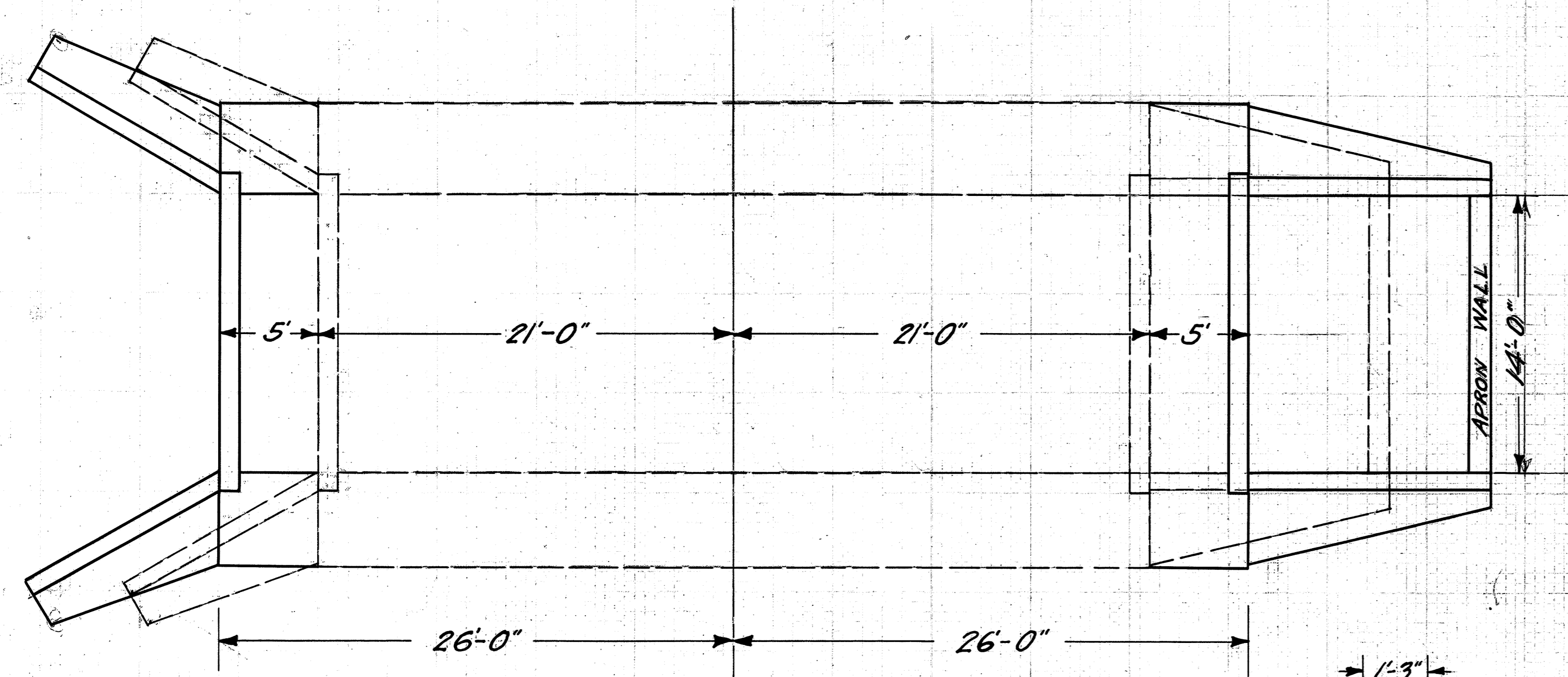
STA. 370+80



**CULVERT DATA**

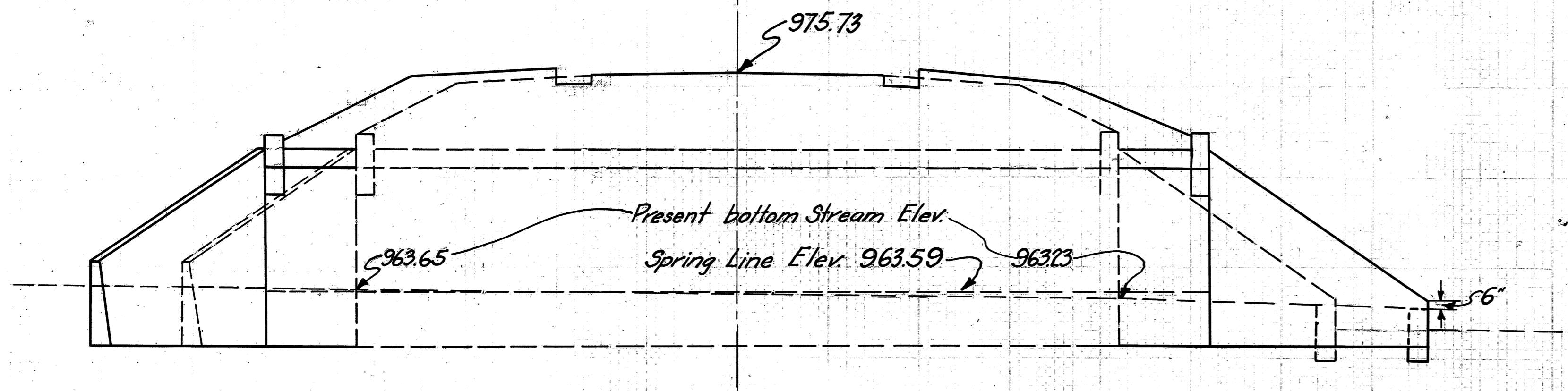
Type Std. V.S.P. Culvert Dr. #300  
 Size 24"  
 No Work Req'd.

STA. 389+55



29

ELEV. DETAIL OF APRON WALL



**CULVERT DATA**

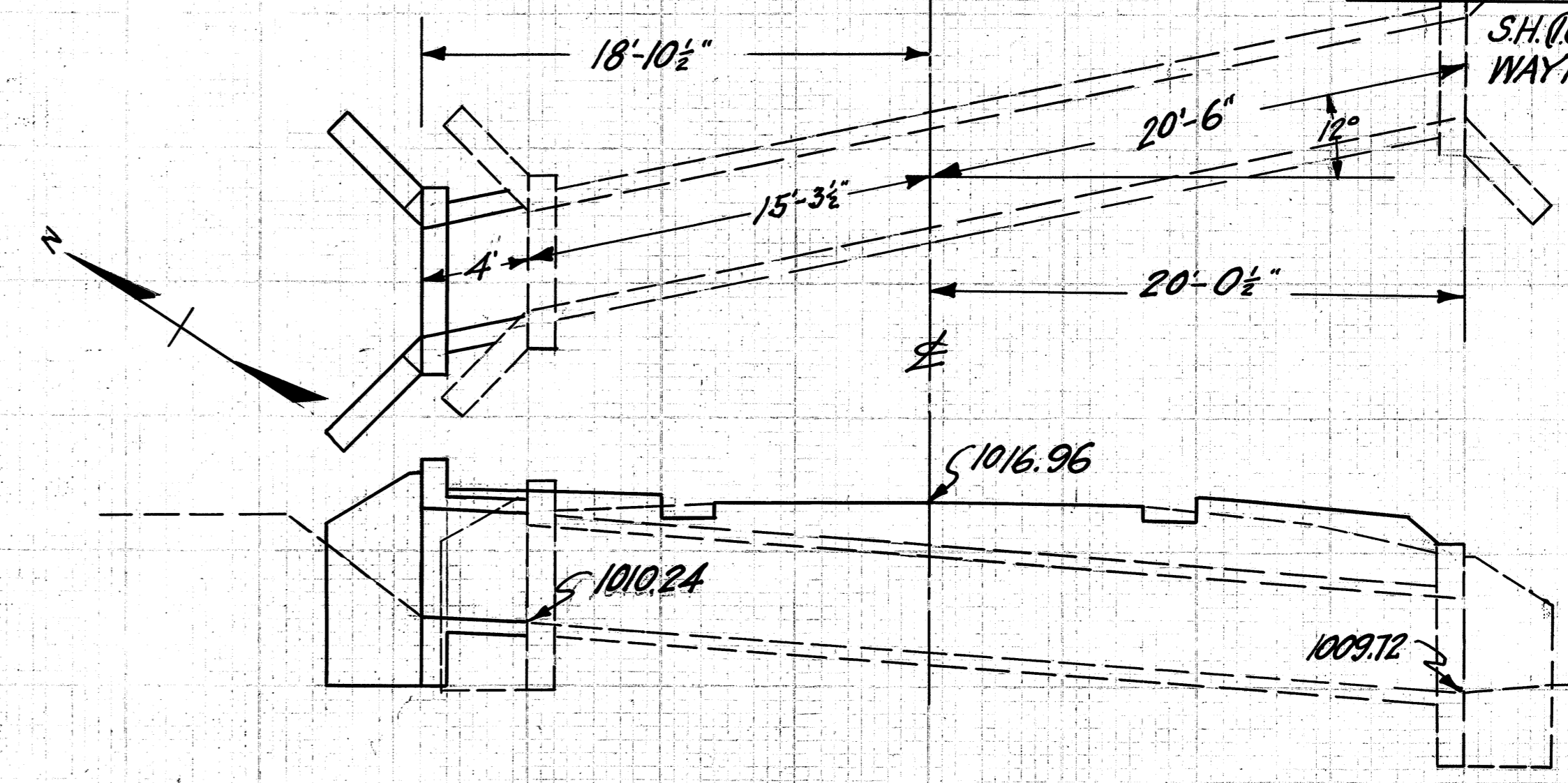
Type Std. Conc. Arch Dr. # G-249  
 Size 14' Span. 10' Length.  
 Work Regd. Remove Existing Wings on both ends.  
 Extend existing Arch 5' on Right and 5' on Left with Std. Arch.

**EST. QUANTITIES**

Excav. 40.0 Cu.Yds.  
 Excav. channel 50.0 Cu.Yds.  
 Conc. 1-5 1/2 58.7 Cu.Yds.  
 Old Conc. to be removed 26.0 Cu.Yds.  
 3/4" x 24" Dowels 50 Pcs.

Drawn by J.E.R.  
 Date 3-15-30  
 Checked by \_\_\_\_\_  
 Date \_\_\_\_\_ Div. Engr.

STA 410+82



31

**CULVERT DATA**

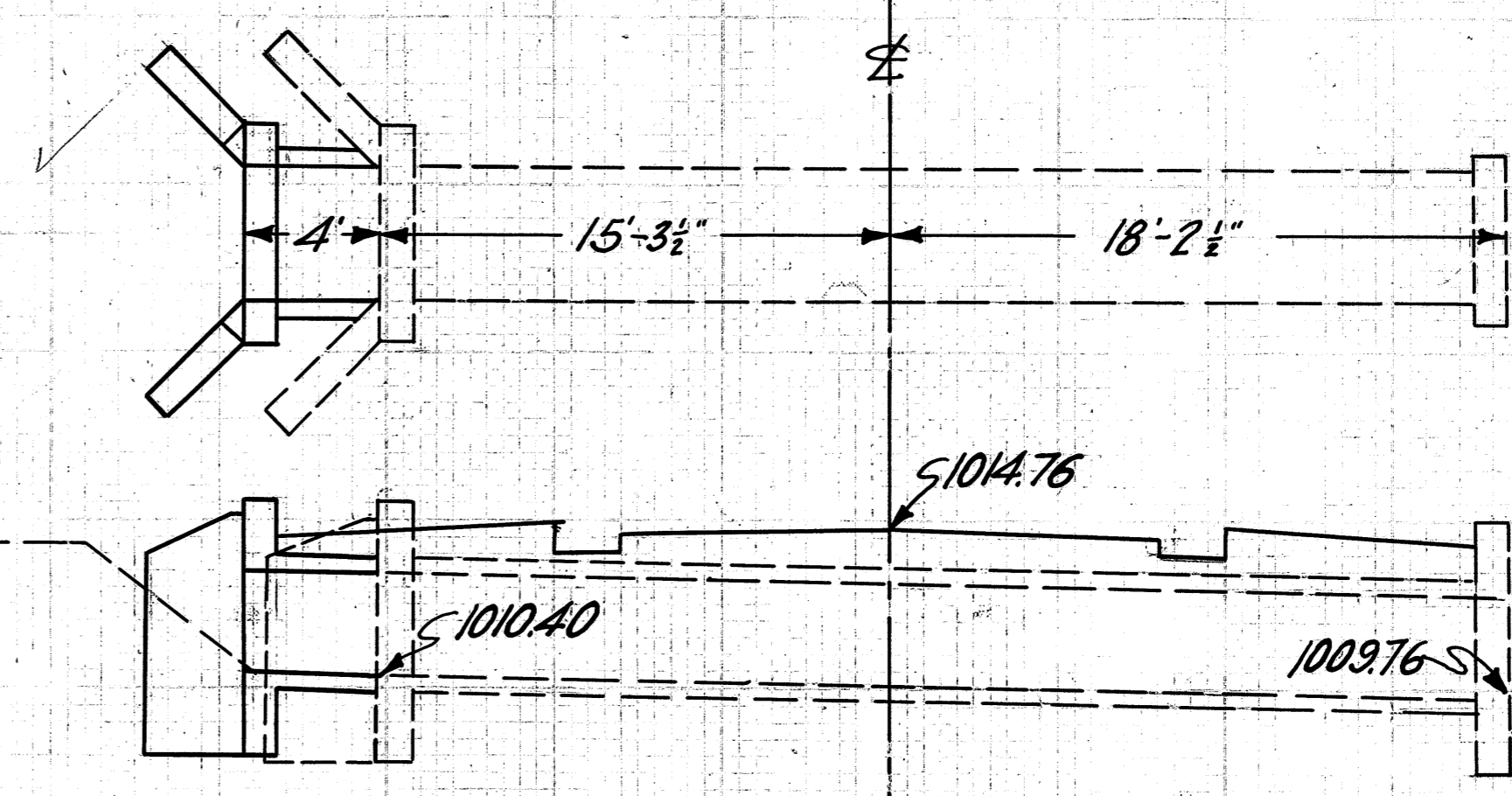
Type Std. Box Culvert Dr. # 301  
 Size 4'x4'x4'  
 Work Regd. Extend existing Culvert 4' on Left with Std. Culvert.  
 Remove 1' from top of existing left headwall and Clean inlet.

**EST. QUANTITIES**

Excav. 5.0 Cu.Yds.  
 Conc. 1-5 1/2 5.4 Cu.Yds.  
 Reinf. Steel 142 Lbs.  
 Old Conc. to be removed 0.4 Cu.Yds.  
 3/4" x 24" Dowels 16 Pcs.

Drawn by J.E.R.  
 Date 3-18-30  
 Checked by \_\_\_\_\_  
 Date \_\_\_\_\_ Div. Engr.

STA. 434+60



30

**CULVERT DATA**

Type Std. Box Culvert Dr. # 301  
 Size 4'x3'x4'  
 Work Regd. Extend existing Culvert 4' on Left with Std. Box, Remove 1' of top headwall on Left and Clean inlet.

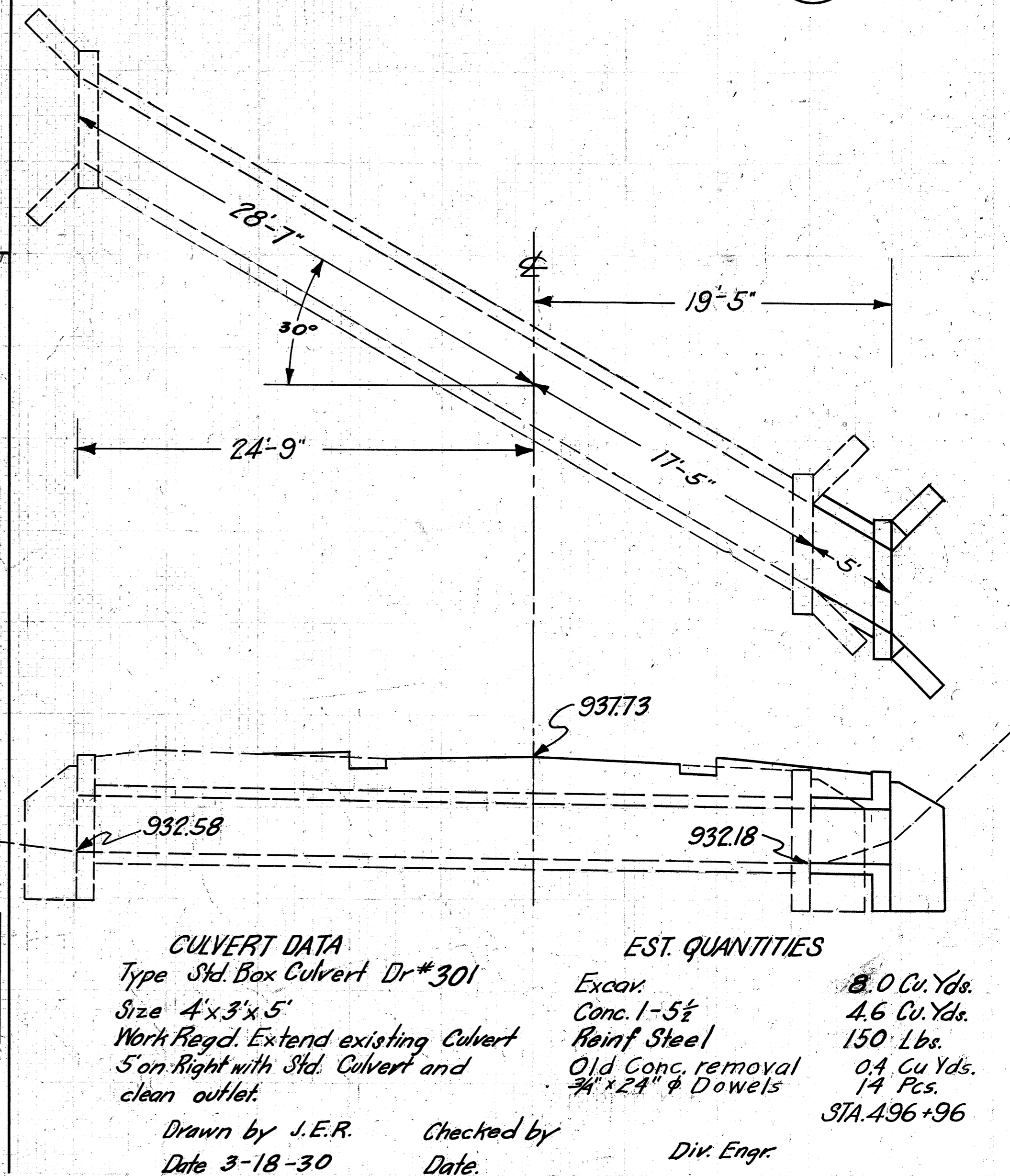
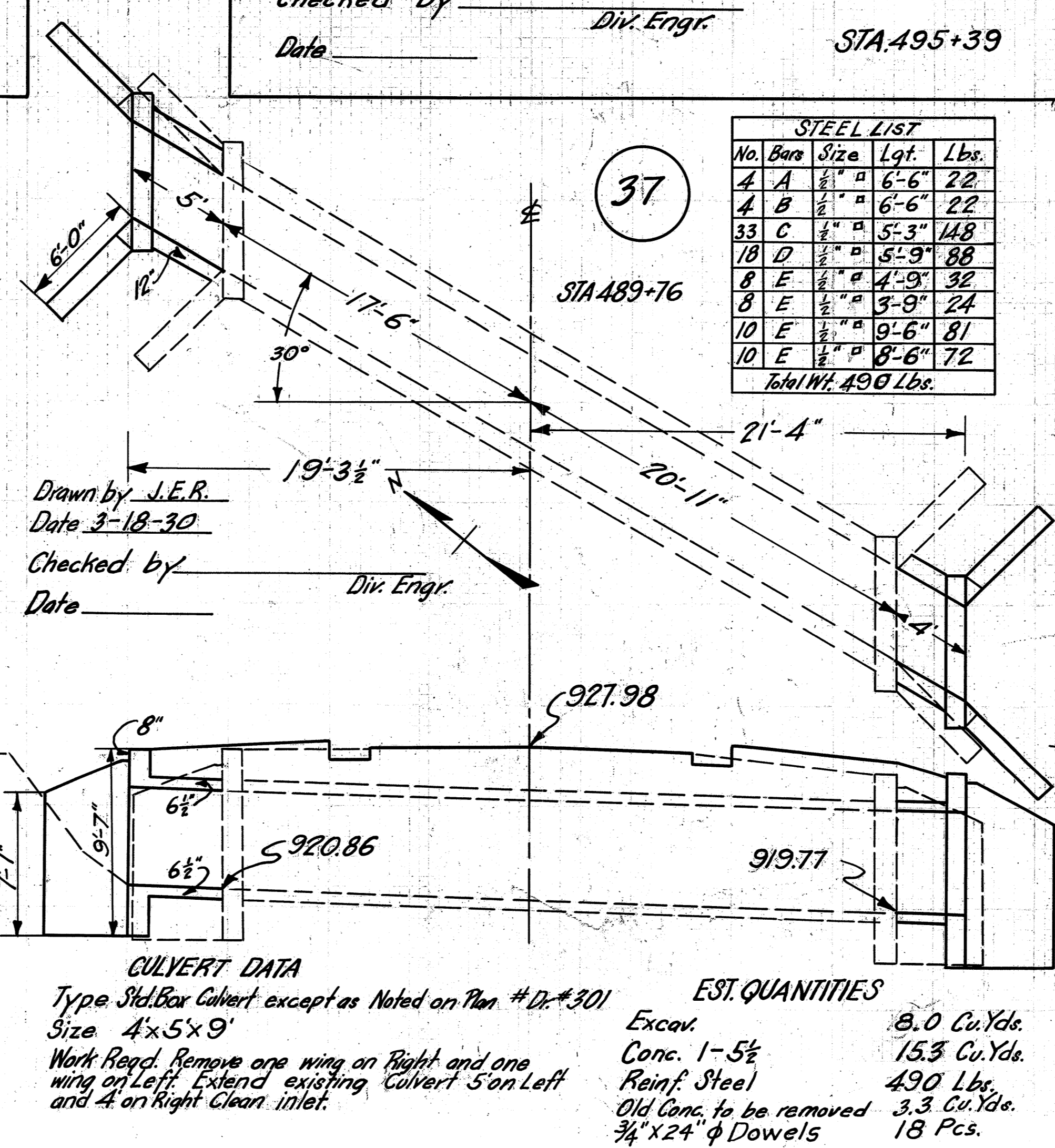
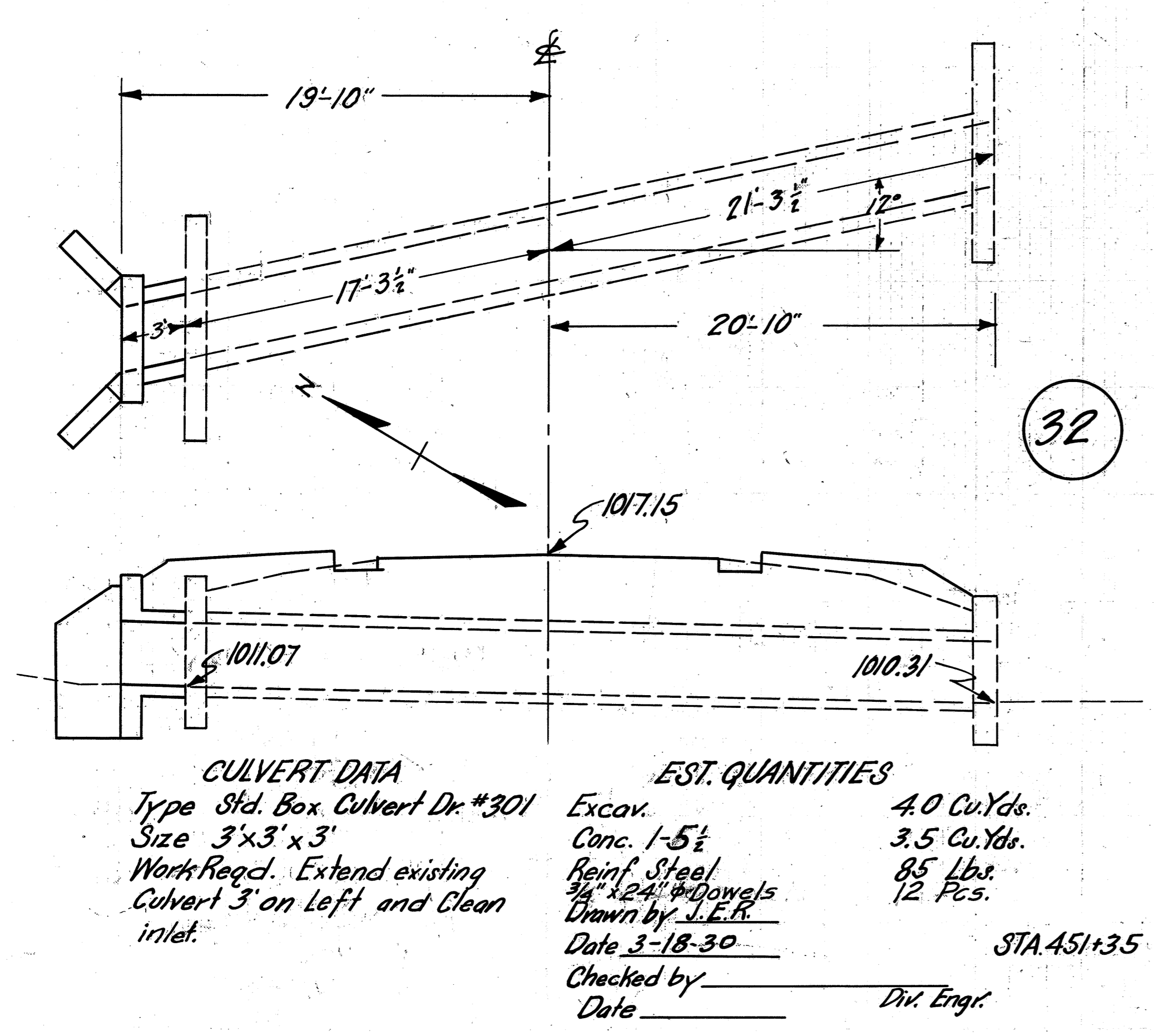
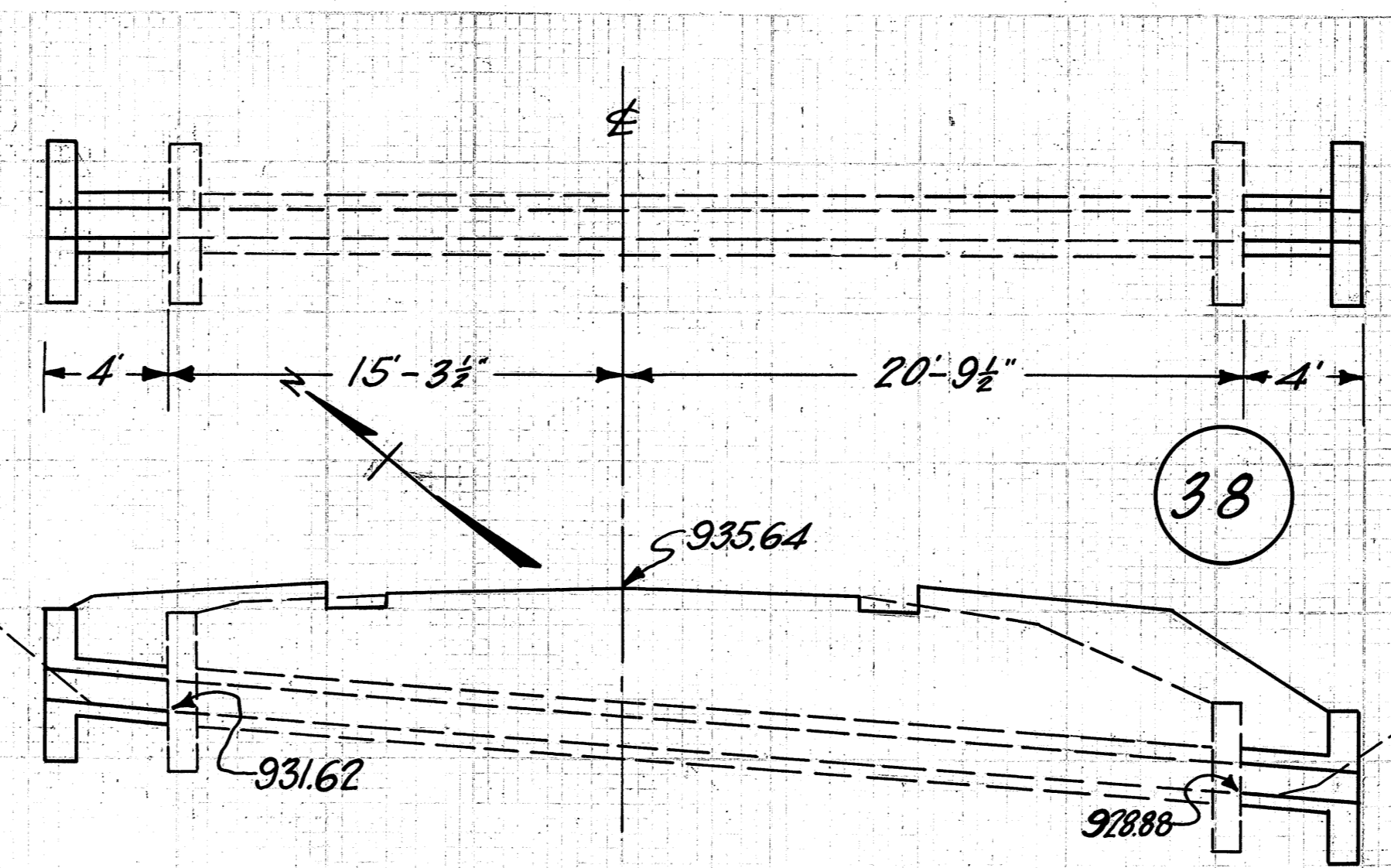
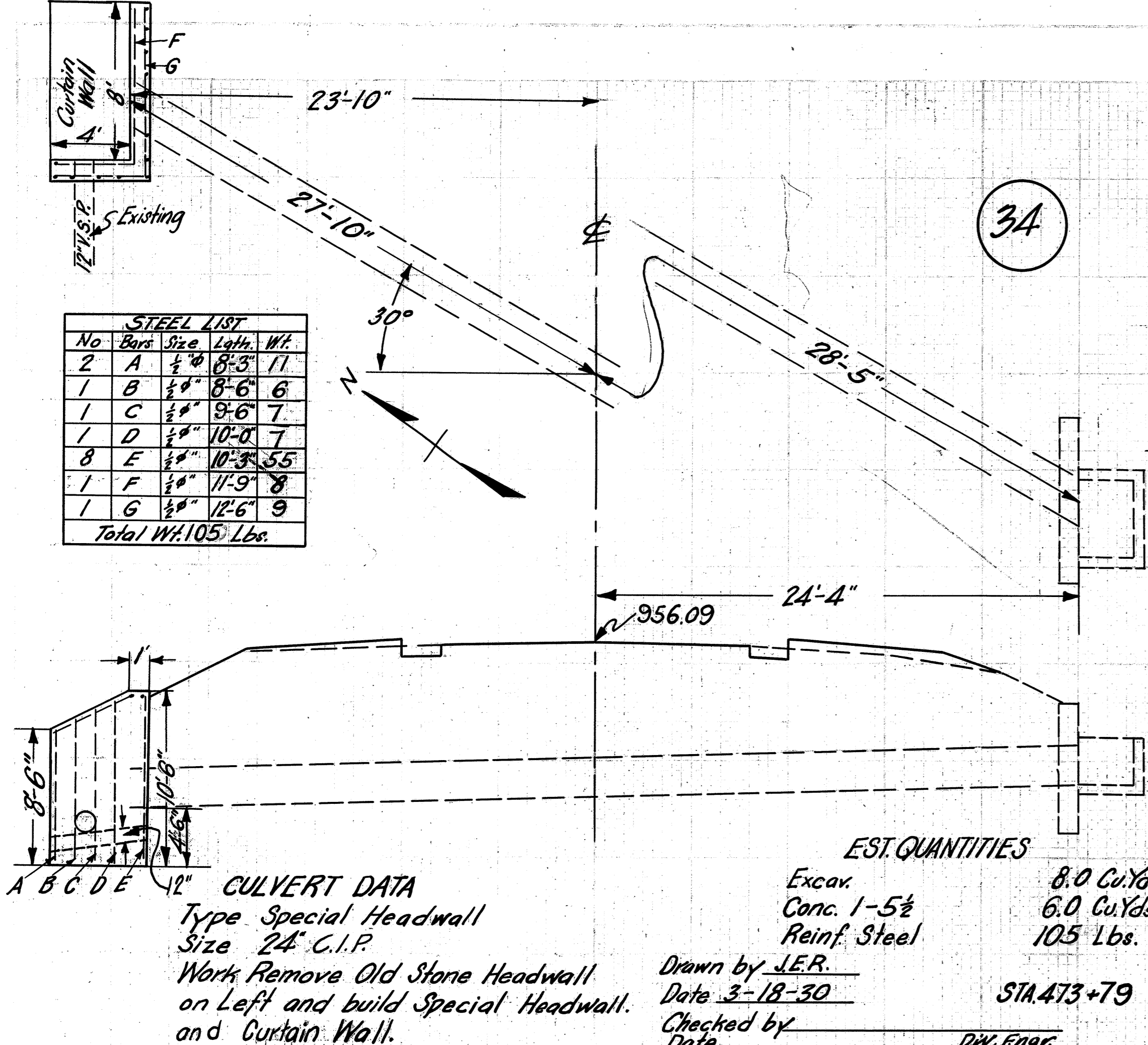
**EST. QUANTITIES**

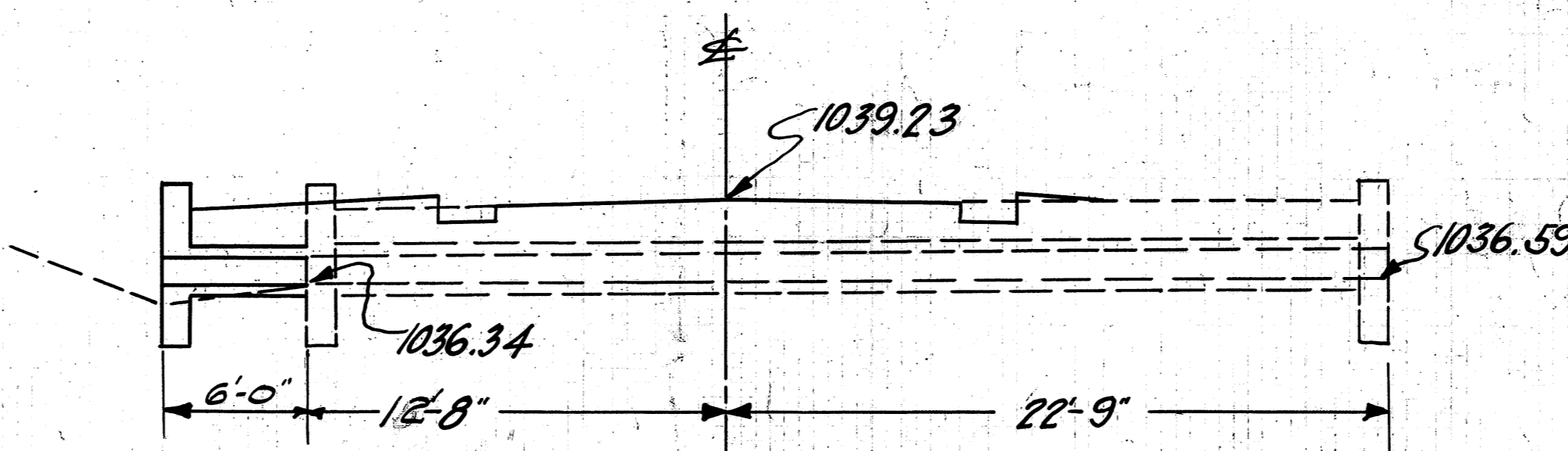
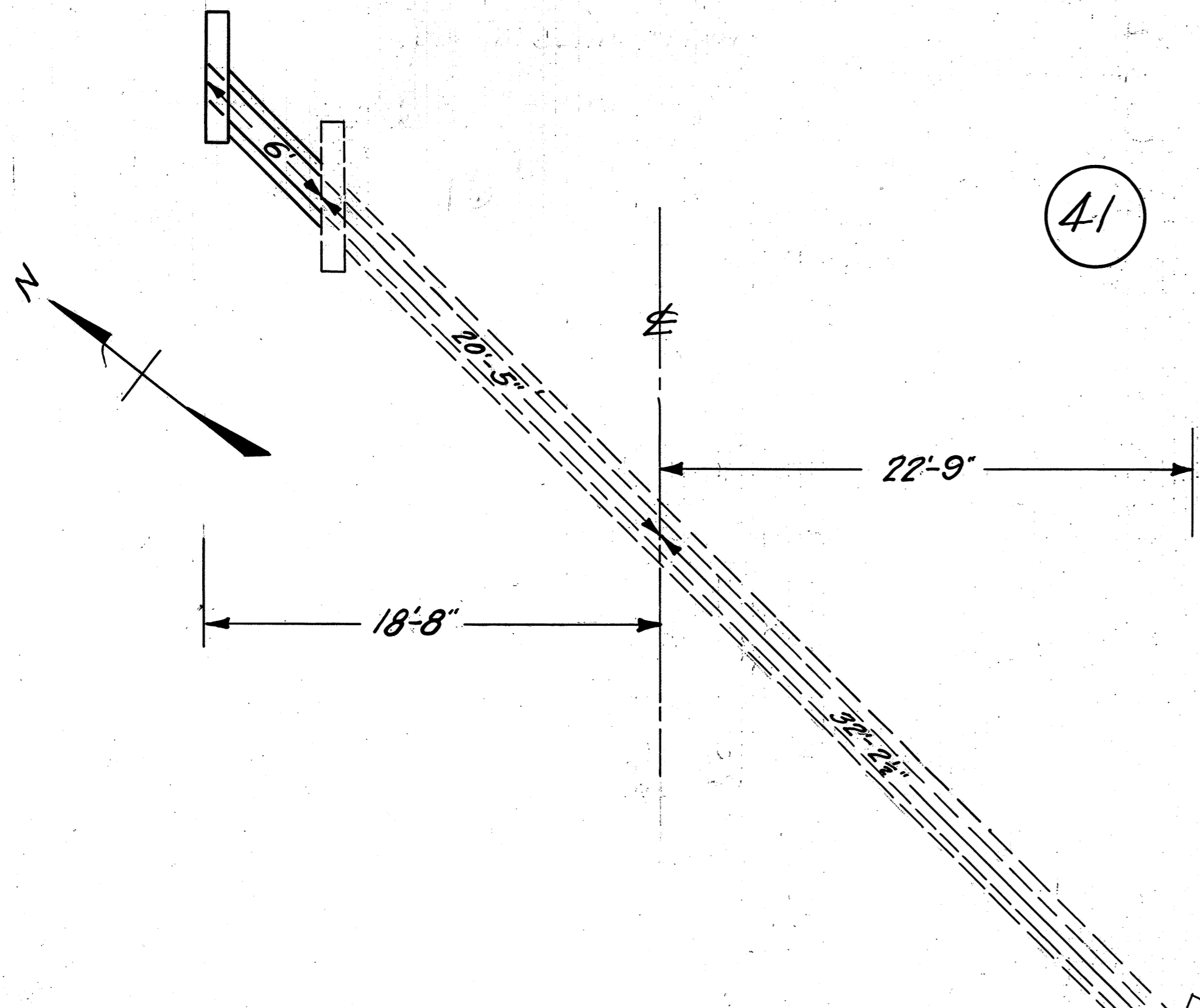
Excav. 5.0 Cu.Yds.  
 Conc. 1-5 1/2 4.2 Cu.Yds.  
 Reinf. Steel 125 Lbs.  
 Old Conc. to be removed 0.4 Cu.Yds.  
 3/4" x 24" Dowels 14 Pcs.

Drawn by J.E.R.  
 Date 3-15-30  
 Checked by \_\_\_\_\_  
 Date \_\_\_\_\_ Div. Engr.

STA. 424+53

STEEL LIST				
No.	Bars	Size	Length	Wt.
2	A	1/2"	8'-3"	11
1	B	1/2"	8'-6"	6
1	C	1/2"	9'-6"	7
1	D	1/2"	10'-0"	7
8	E	1/2"	10'-3"	55
1	F	1/2"	11'-9"	8
1	G	1/2"	12'-6"	9
Total Wt. 105 Lbs.				



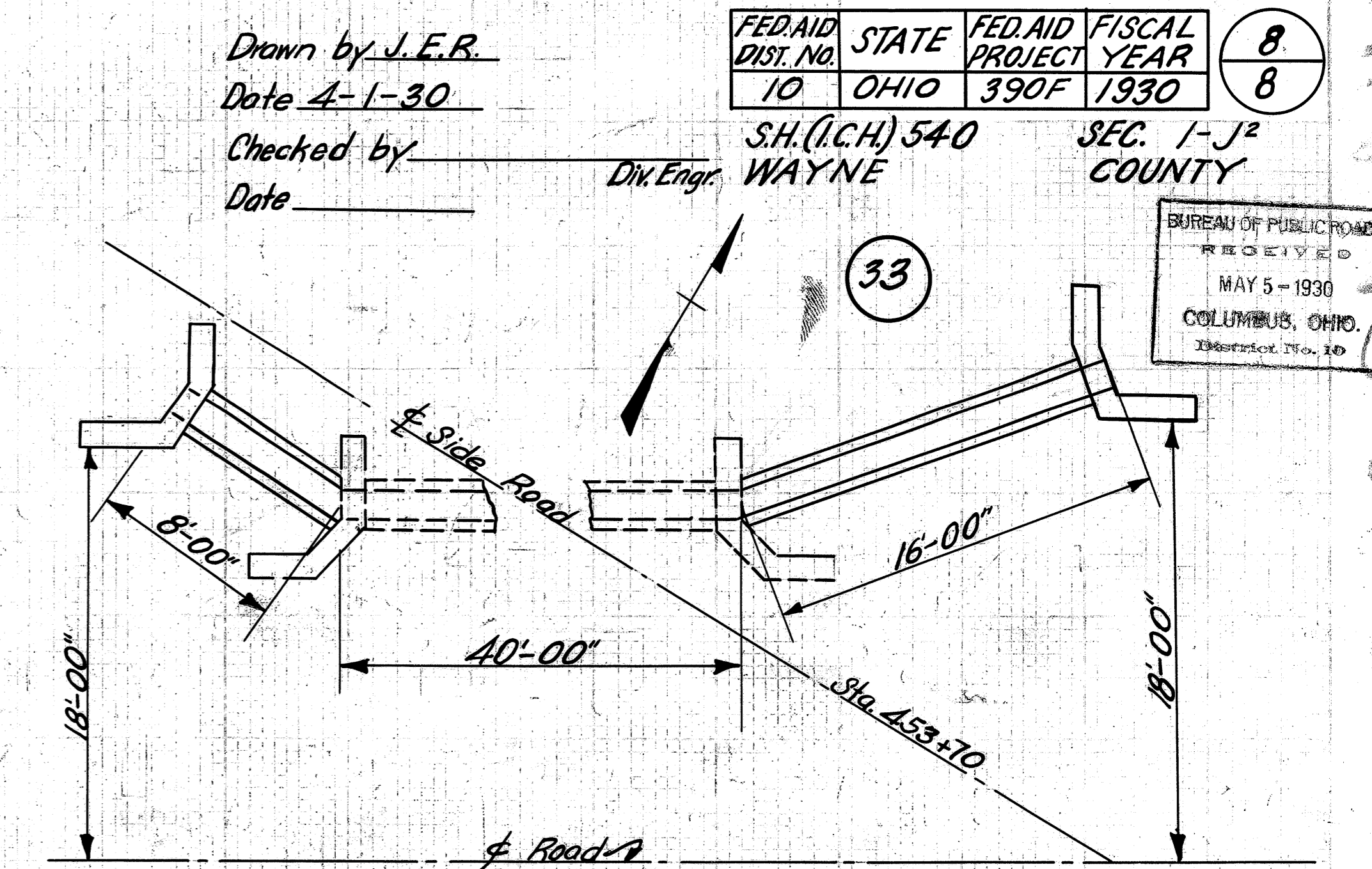


**CULVERT DATA**  
 Type Std. V.S.P. Culvert Dr. #300  
 Size 15" x 6"  
 Work Req'd. Extend existing Culvert 6' on Left and Remove 1' of top Left headwall

**EST. QUANTITIES**  
 Excav. 3.0 Cu.Yds.  
 Conc. 1-5 1/2 1.2 Cu.Yds.  
 Conc. 1-B 0.7 Cu.Yds.  
 Reinf. Steel 35 Lbs.  
 15" V.S.P. 6 Lin.ft.  
 Old Conc. to be removed 0.3 Cu.Yds.

Drawn by J.E.R. Date 3-18-30  
 Checked by \_\_\_\_\_ Date \_\_\_\_\_ Div. Engr.

STA. 538+26



**CULVERT DATA**  
 Type 5 STANS Side Road Cul. Dr. #300  
 Size 15" x 24"  
 Work Req'd. Extend Existing Side Road Cul., as shown on above Plan. Remove top of existing headwalls. Clean inlet and outlet.

**EST. QUANTITIES**  
 Excav. 5.0 Cu.Yds.  
 Conc. 1-5 1/2 2.9 Cu.Yds.  
 Conc. 1-B 2.9 Cu.Yds.  
 Reinf. Steel 65 Lbs.  
 15" V.S.P. 24 Lin.ft.  
 Old Conc. Removed 0.7 Cu.Yds.

Drawn by J.E.R. Date 4-1-30  
 Checked by \_\_\_\_\_ Date \_\_\_\_\_ Div. Engr.

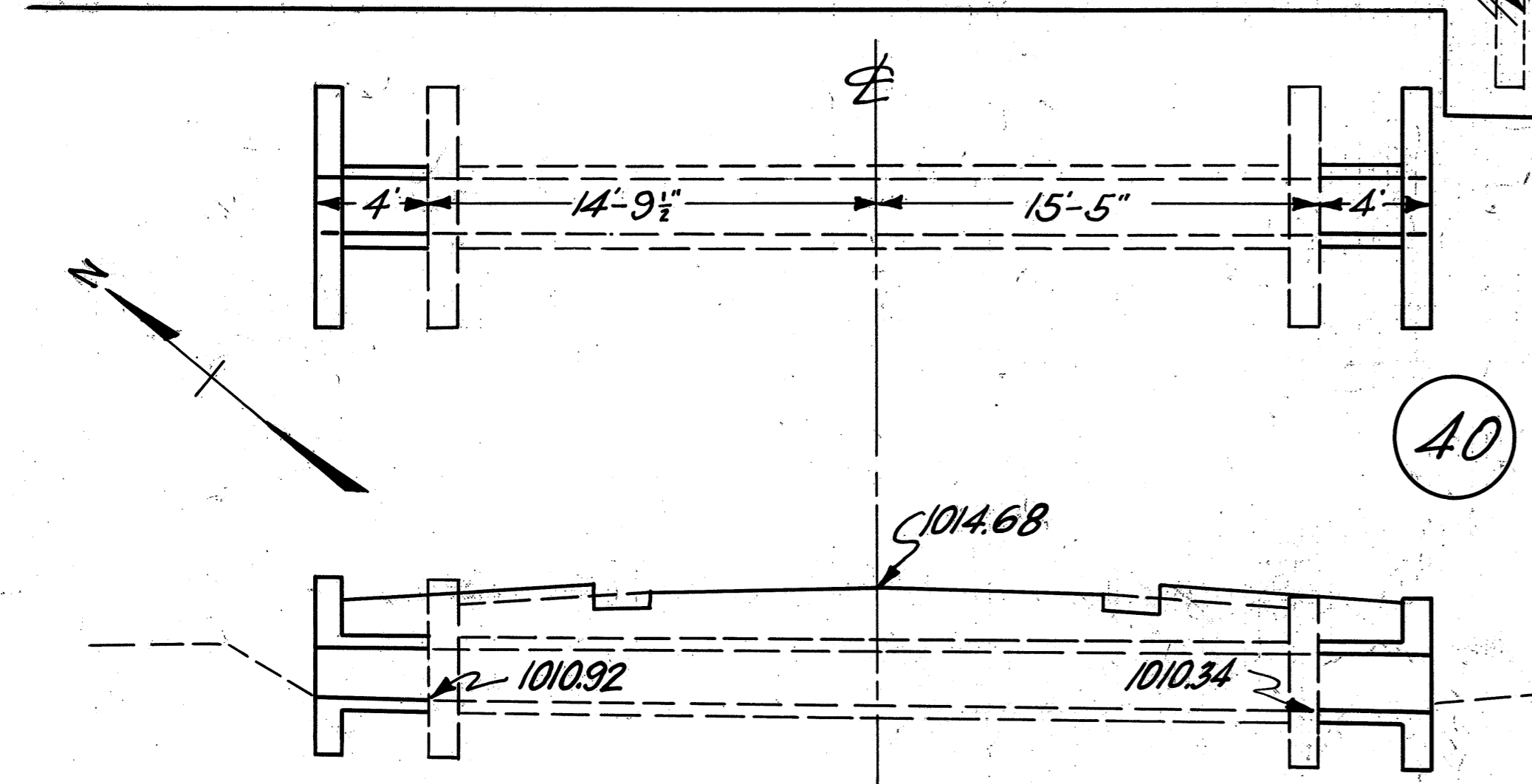
STA. 538+26

FED. AID DIST. NO. 10 STATE OHIO FED. AID PROJECT 390F FISCAL YEAR 1930

S.H. (I.C.H.) 540 SEC. 1-J<sup>2</sup> COUNTY WAYNE

BUREAU OF PUBLIC ROADS RECEIVED MAY 5 - 1930 COLUMBUS, OHIO.

8  
8



**CULVERT DATA**  
 Type Std. V.S.P. Culvert Dr. #300  
 Size 24" x 8"  
 Work Req'd. Extend existing Culvert 4' on Right and 4' on Left. Remove 1' of top Left headwall and clean inlet and outlet.

**EST. QUANTITIES**  
 Excav. 0.0 Cu.Yds.  
 Conc. 1-5 1/2 3.5 Cu.Yds.  
 Conc. 1-B 1.2 Cu.Yds.  
 Reinf. Steel 105 Lbs.  
 24" V.S.P. 8 Lin.ft.  
 Old Conc. to be removed 0.6 Cu.Yds.

Drawn by J.E.R. Date 3-18-30  
 Checked by \_\_\_\_\_ Date \_\_\_\_\_ Div. Engr.

STA. 518+54

**SUMMARY OF QUANTITIES ON STRUCTURES UNDER 20'**

NO.	STATION	TYPE	SIZE	LENGTH	EXCAV. CU.YDS.	CONCRETE			REINF. STEEL LBS.	VIT. SEWER PIPE					REMARKS	
						1-5 1/2	1-B	OLD CONC.		12"	15"	18"	24"	30"		
2	221+35	Std. V.S.P.	24"	10'	6.0	3.5	1.7	0.3	105						Extend 4' Rt. & 6' Lt. Remove old Conc. Clean inlet	
3	231+72	Std. V.S.P.	18"	12'	7.0	2.7	1.6	0.5	80						Extend 6' Rt. & 6' Lt. Remove old Conc. Clean outlet	
4	232+47	Std. Conc. Box	3' x 3'	10'	8.0	8.3	2.4	2.55							Extend 5' Rt. & 5' Lt.	
5	241+85	Std. C.I.P.	18"	14'	6.0	3.0	1.9	1.0	45						Ext. 8' Rt. & 6' Lt. Remove Old Conc. Clean inlet & outlet	
7	255+31	Std. V.S.P.	18"	8'	2.0	2.7	0.9	0.7	80						Ext. 4' Rt. & 4' Lt. Remove Old Conc.	
8	260+87	Std. V.S.P.	24"	14'	6.0	3.5	2.5	1.05							Extend 6' Rt. & 8' Lt.	
10	278+69	Std. V.S.P.	24"	4'	2.0	1.8	0.6	0.5	53						Extend 4' Lt.	
11	286+215	Std. V.S.P.	12"	8'	2.0	2.0	0.6	0.2	65	8					Ext. 4' Rt. & 4' Lt. Remove Old Conc. Clean inlet	
12	293+59	Std. Box Cul.	4' x 3'	8'	6.0	8.4	2.8	2.46							Ext. 4' Rt. & 4' Lt. Clean inlet & outlet	
13	305+45	Std. Conc. Box	5' x 3'	8'	8.0	9.7	3.2	2.90							Ext. 4' Rt. & 4' Lt.	
14	316+99	Std. V.S.P.	30"	6'	6.0	4.6	1.1	0.6	125						Ext. 3' Rt. & 5' Lt. Remove Old Conc. Clean inlet	
16	325+15	Std. V.S.P.	30"	9'	6.0	4.6	1.9	0.5	125						Ext. 3' Rt. & 6' Lt. Clean outlet	
17	326+03	Std. V.S.P.	12"	8'	5.0	2.0	0.7	0.2	65	8					Ext. 4' Rt. & 4' Lt. Clean outlet	
19	329+44	Std. Conc. Box	3' x 3'	5'	6.0	4.1	1.2	1.27							Ext. 5' Lt. Clean outlet	
21	337+50	Std. Conc. Box	4' x 4'	4'	8.0	5.4	1.2	0.2	142						Ext. 4' Lt. Remove Old Conc.	
22	345+92	U.S. Std. Arch	14" Span	10'	50.0	59.8	50.0	26.0							20.0 Ext. 5' Rt. & 5' Lt. Remove Old Conc.	
23	358+58	Std. V.S.P.	15"	12'	6.0	2.3	1.3	0.3	70						Ext. 6' Rt. & 6' Lt. Remove Old Conc. Clean inlet & outlet	
24	362+25	Std. V.S.P.	15"	8'	2.0	2.3	0.8	0.7	70						Ext. 4' Rt. & 4' Lt.	
25	370+80	Std. V.S.P. (H.S.)	12"	6'	6.0	1.0	0.5	0.5	12	6					Ext. 6' Lt. Clean outlet	
26	377+63	Std. Conc. Box	4' x 4'	5'	5.0	5.9	1.6	1.70							Ext. 5' Lt.	
27	389+55	Std. V.S.P. (enc)													No Work Req'd. (Clean outlet through field)	
28	405+85	Std. Conc. Box	4' x 2'	8'	12.0	6.7	1.0	0.9	265						Ext. 4' Rt. & 4' Lt. Remove Old Conc.	
29	410+82	U.S. Std. Arch	14" Span	10'	40.0	58.7	50.0	26.0							50.0 Ext. 5' Rt. & 5' Lt. Remove Old Conc.	
30	424+53	Std. Conc. Box	4' x 3'	4'	5.0	4.2	1.4	0.4	125						Ext. 4' Lt. Remove Old Conc. Clean inlet	
31	434+60	Std. Conc. Box	4' x 4'	4'	5.0	5.4	1.6	0.4	142						Ext. 4' Lt. Remove Old Conc. Clean inlet	
32	451+35	Std. Conc. Box	3' x 3'	3'	4.0	3.5	1.2	0.5	85						Ext. 3' Lt. Clean inlet. (Curtain Wall)	
34	473+79	Special H.W.	24"		8.0	6.0		105							Build Special H.W. Remove old Stone H.W.	
37	489+76	Mod. Std. Conc. Box	4' x 5'	9'	8.0	15.3	1.8	3.3	490						Ext. 5' Lt. & 4' Rt. Remove old Conc. Clean inlet	
38	495+39	Std. C.I.P.	12"	8'	5.0	2.0	2.7	0.6	65	8					Ext. 4' Rt. & 4' Lt. Clean inlet and outlet	
39	496+96	Std. Conc. Box	4' x 3'	5'	8.0	4.6	1.4	0.4	150						Ext. 5' Lt. Clean outlet	
40	518+54	Std. V.S.P.	24"	8'	6.0	3.5	1.2	0.6	105						Ext. 4' Rt. & 4' Lt. Remove old Conc. Clean inlet & outlet	
41	538+26	Std. V.S.P.	12"	6'	3.0	1.2	0.7	0.3	35						Ext. 6' Lt. Remove old Conc.	
33	453+70	Std. Side Road	15"	24'	5.0	2.9	2.9	0.7	65	24					Ext. 24' Remove old Conc. Clean inlet & outlet	
<b>TOTAL</b>					<b>270.0</b>	<b>251.6</b>	<b>21.6</b>	<b>30.8</b>	<b>63.5</b>	<b>3862</b>	<b>30</b>	<b>50</b>	<b>34</b>	<b>36</b>	<b>15</b>	<b>70.0</b>